

# Cushyfloat™



## Metalastik® type Cushyfloat™

The Cushyfloat™ mounting is an ideal general purpose unit designed to provide effective isolation of vibration and noise arising from many types of static and mobile equipment including:

- ▼ Pumps
- ▼ Compressors
- ▼ Generator sets
- ▼ Marine, industrial and vehicle engines

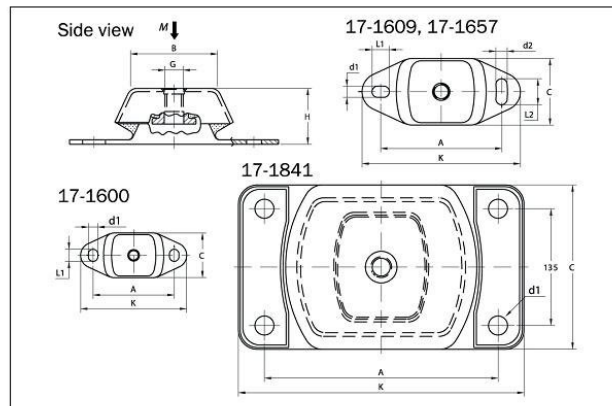
## Features

Originally designed for use with marine engines, this compact low profile mounting is easy to install. It combines 3 way control of the suspended equipment with relatively large static deflections where the rubber is loaded in shear and compression.

The design incorporates bump and rebound control features which limit excessive movements under shock loading. Top metal cover gives protection against oil contamination.

Protective finish resists corrosion attack. Propeller thrust on marine applications is accommodated. There are four sizes in the standard range which with varying degrees of rubber hardness cater for point loads from 32 kg to 3000 kg. Natural frequencies as low as 8 Hz are possible.

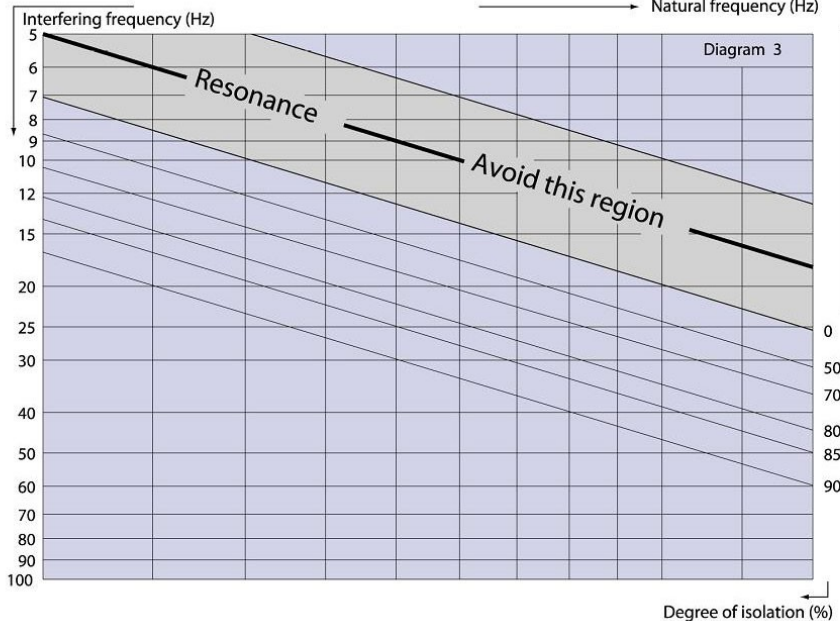
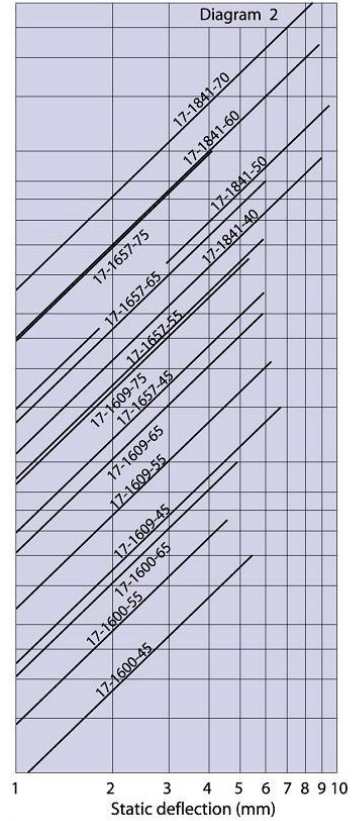
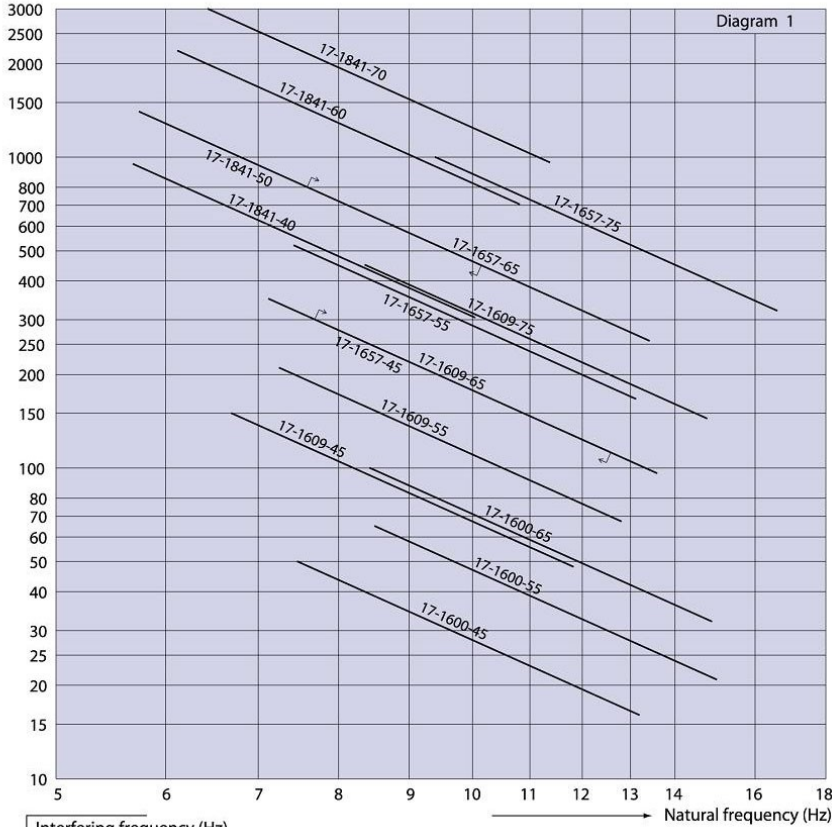
\* When used in marine engine applications with thrust forces involved, the maximum load capacity is substantially reduced, see table below!



| Drawing no. | Part no. | Dimensions in mm |     |     |     |     |     |    |    |    |     | M-max (Kg) | *M-max (Kg) | Max longitudinal force F(N) | Weight (Kg) |
|-------------|----------|------------------|-----|-----|-----|-----|-----|----|----|----|-----|------------|-------------|-----------------------------|-------------|
|             |          | B                | C   | A   | K   | H   | d1  | L1 | d2 | L2 | G   |            |             |                             |             |
| 17-1600-45  | 10-00535 | 60               | 60  | 100 | 120 | 38  | 11  | 14 | -- | -- | M12 | 50         | 35          | 370                         | 0,3         |
| 17-1600-55  | 10-00536 | 60               | 60  | 100 | 120 | 38  | 11  | 14 | -- | -- | M12 | 65         | 55          | 560                         | 0,3         |
| 17-1600-65  | 10-00537 | 60               | 60  | 100 | 120 | 38  | 11  | 14 | -- | -- | M12 | 100        | 80          | 830                         | 0,3         |
| 17-1609-45  | 10-00545 | 75               | 75  | 140 | 183 | 50  | 13  | 20 | 13 | 30 | M16 | 150        | 95          | 1000                        | 0,9         |
| 17-1609-55  | 10-00546 | 75               | 75  | 140 | 183 | 50  | 13  | 20 | 13 | 30 | M16 | 210        | 140         | 1500                        | 0,9         |
| 17-1609-65  | 10-00547 | 75               | 75  | 140 | 183 | 50  | 13  | 20 | 13 | 30 | M16 | 300        | 210         | 2300                        | 0,9         |
| 17-1609-75  | 10-00548 | 75               | 75  | 140 | 183 | 50  | 13  | 20 | 13 | 30 | M16 | 450        | 315         | 3300                        | 0,9         |
| 17-1657-45  | 10-00557 | 80               | 112 | 182 | 230 | 70  | 18  | 26 | 18 | 34 | M20 | 350        | 250         | 2800                        | 2,4         |
| 17-1657-55  | 10-00558 | 80               | 112 | 182 | 230 | 70  | 18  | 26 | 18 | 34 | M20 | 520        | 370         | 4200                        | 2,4         |
| 17-1657-65  | 10-00559 | 80               | 112 | 182 | 230 | 70  | 18  | 26 | 18 | 34 | M20 | 800        | 560         | 6400                        | 2,4         |
| 17-1657-75  | 10-00560 | 80               | 112 | 182 | 230 | 70  | 18  | 26 | 18 | 34 | M20 | 1000       | 700         | 11800                       | 2,4         |
| 17-1841-40  | 10-00605 | 221              | 190 | 270 | 330 | 110 | Ø22 | -- | -- | -- | M24 | 950        | 630         | 5300                        | 9,6         |
| 17-1841-50  | 10-00606 | 221              | 190 | 270 | 330 | 110 | Ø22 | -- | -- | -- | M24 | 1400       | 945         | 7100                        | 9,6         |
| 17-1841-60  | 10-00607 | 221              | 190 | 270 | 330 | 110 | Ø22 | -- | -- | -- | M24 | 2200       | 1575        | 12500                       | 9,6         |
| 17-1841-70  | 10-00608 | 221              | 190 | 270 | 330 | 110 | Ø22 | -- | -- | -- | M24 | 3000       | 2100        | 18000                       | 9,6         |

Note: The natural frequencies and degrees of isolation are based on dynamic characteristics of the mountings.

Load per mounting (kg)



To select correct mounting, following data are needed:

- 1) Load per mounting (kg)
- 2) Interfering frequency (Hz)  
(Hz = rpm / 60)

Select correct load line in diagram 1 and correct interference line in diagram 3. The load line intersects with required type of mounting.

Connect this intersection point vertically down to the interference line in diagram 3. Here, on the sloping curve, the isolation degree is indicated.

For static deflection, see diagram 2.

