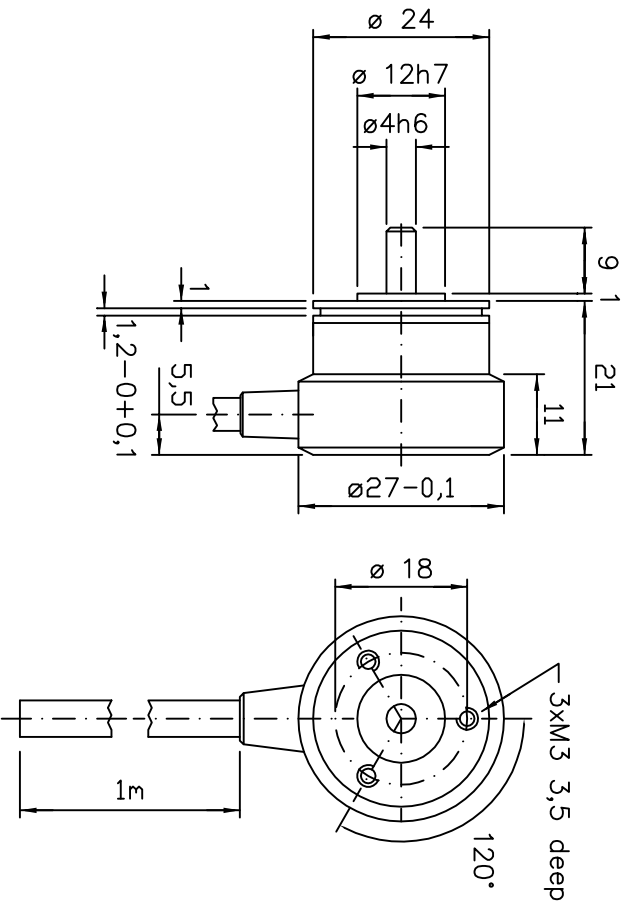
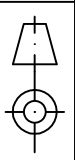


Imp. Geber Typ 2RM-360A-(HP-TP-C option1)-04-09-64-01-S



This document contain proprietary information and is not to be reproduced or used without the written permission of SCANDINAVIAN CONSTR. A/S



SCANDINAVIAN ①
Scandinavian Construction A/S

| | | | | | |
|-------|----------|-------|----------|------------|-------------|
| Issue | Date | Drawn | Approved | Scale: 1:1 | Tol.: +-0,1 |
| 1 | 07.03.14 | | | Material: | |
| | | | | Finish: | |
| | | | | | |
| | | | | | |

2RM ID Nr. 566301
KABA Gallenschütz
Special

| | |
|-----------|--|
| Part no.: | |
| PCB no.: | |

| | | |
|--------------|--------|--------------|
| Drawing no.: | 566301 | Sheet 1 of 1 |
|--------------|--------|--------------|