

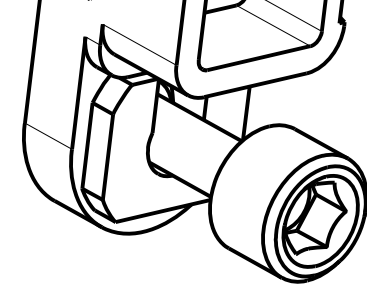
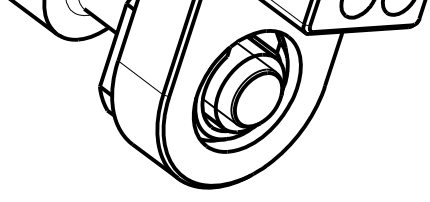
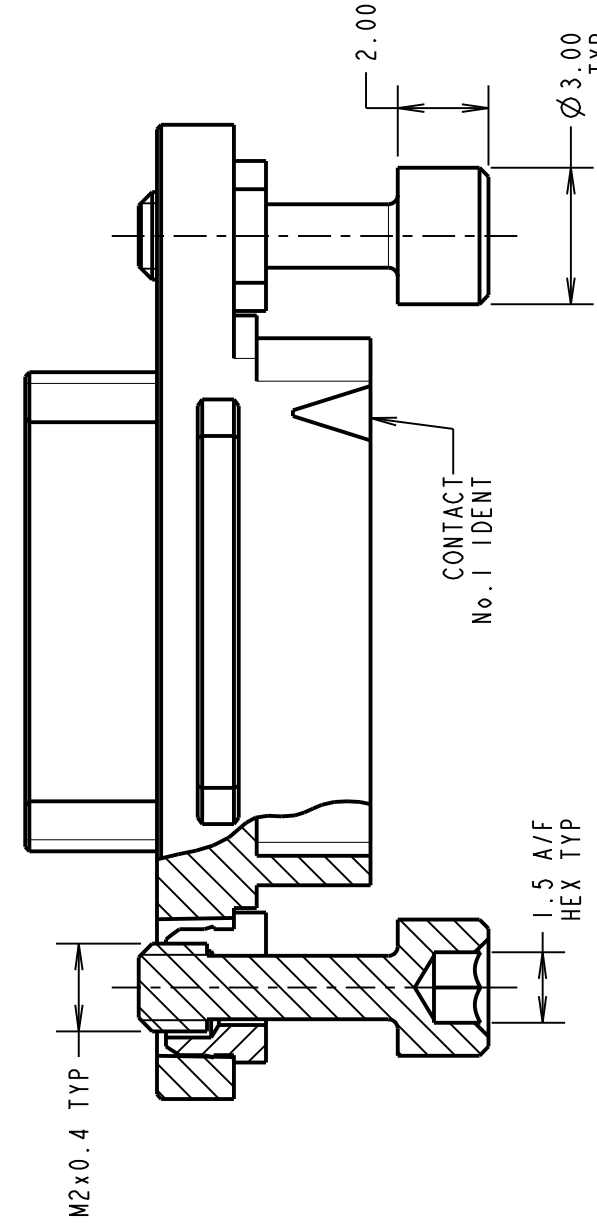
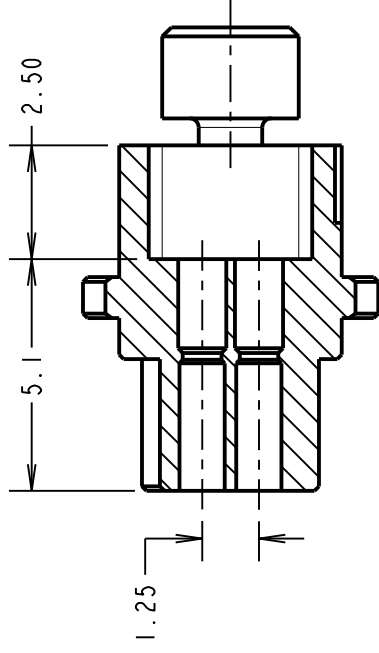
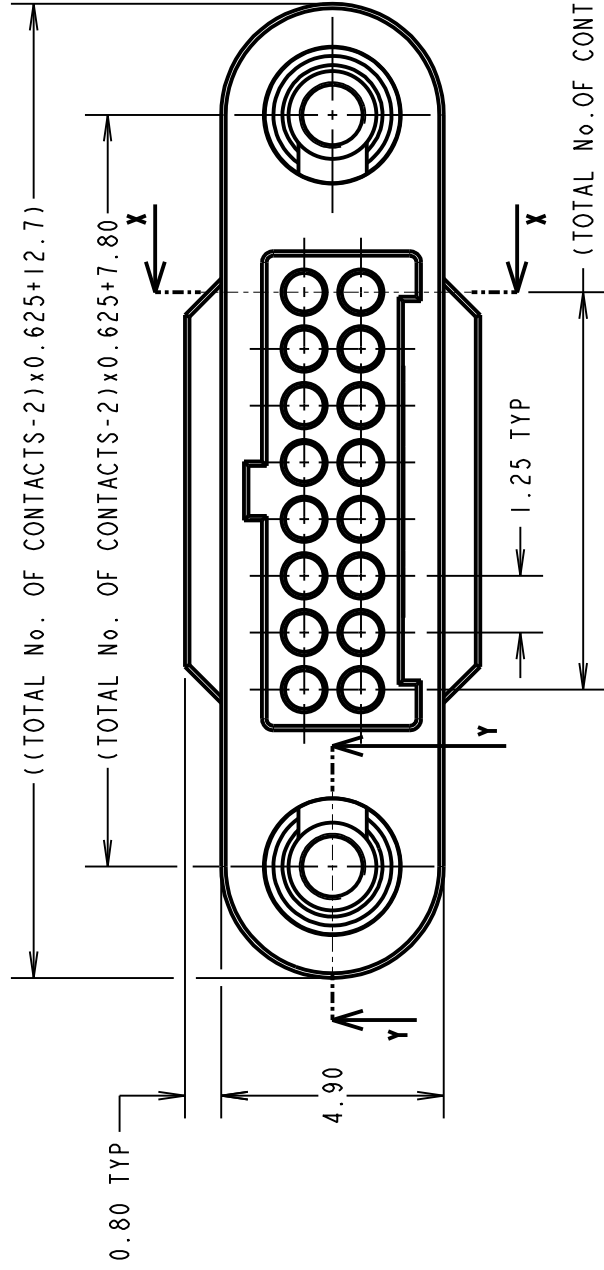
# Customer Information Sheet

DRAWING No.: G125-224XX96F1

IF IN DOUBT - ASK

(C)

NOT TO SCALE



# Customer Information Sheet

DRAWING No. : G125-SERIES COMPONENT SPECIFICATION IF IN DOUBT - ASK  NOT TO SCALE THIRD ANGLE PROJECTION ALL DIMENSIONS IN mm

**SPECIFICATIONS:**

- \* EIA-364-27B : 1996: TEST CONDITION E SHOCK SEVERITY: 981 mm/s<sup>2</sup> (100G) FOR 6ms IN Z AXIS, 490 mm/s<sup>2</sup> (50G) FOR 11m/s IN X & Y AXIS.
- \* EIA-364-01A : 2000: ACCELERATION: 490 mm/s<sup>2</sup> (50G)
- \* BUMP SEVERITY: 390 mm/s<sup>2</sup> (40G), 4000±10 BUMPS
- \* TESTED WITH LATCHED CONNECTORS

**MATERIALS:**  
 MOULDING, PICK & PLACE CAP:  
 POLYAMIDE, PA4T-GF30 FR(40) UL94V-0,  
 HALOGEN FREE, FREE OF RED PHOSPHORUS

**CONTACTS:**  
 MALE PC-TAIL/SMT = PHOSPHOR BRONZE  
 MALE CRIMP = BRASS  
 ALL FEMALE CONTACTS = COPPER ALLOY

**LOCKING HARDWARE:**  
 LATCHES: COPPER NICKEL TIN ALLOY  
 SCREW LOCK: STAINLESS STEEL

**BACK POTTING COMPOUND (CABLE ASSEMBLIES ONLY):**  
 STYCAST 2651 MM BACK POTTING WITH CATALYST 9

**FINISH:**  
 ALL CONTACTS:  
 0.2-0.3µ GOLD OVER NICKEL  
 LATCHES:  
 3.0µ 100% TIN OVER NICKEL

**MECHANICAL:**  
 DURABILITY = 1000 OPERATIONS  
 INSERTION FORCE = 2.8N MAX  
 WITHDRAWAL FORCE = 0.2N MIN

**ENVIRONMENTAL:**  
 CLASSIFICATION: 65/150/56 DAYS AT 93% RH

**TEMPERATURE RANGE:**  
 EIA-364-32 : 2000 TEST CONDITION IV, DWELL  
 30mins, 5 CYCLES -65°C TO +150°C

\* EIA-364-28D : 1999: TEST CONDITION IV: VIBRATION SEVERITY:  
 10Hz TO 2000Hz, 1.5MM, 198 mm/s<sup>2</sup> (20G). DURATION 2HR

**ELECTRICAL:**  
 CURRENT RATING:  
 EIA-364-70A : 1998: INDIVIDUAL CONTACT IN ISOLATION AT 25°C = 2.8A MAX  
 EIA-364-70A : 1998: ALL CONTACTS SIMULTANEOUSLY AT 25°C = 2.0A MAX

**CONTACT RESISTANCE:**  
 EIA-364-06C : 2006: INITIAL CONTACT RESISTANCE = 20mΩ MAX  
 EIA-364-06C : 2006: CONTACT RESISTANCE AFTER CONDITIONING = 25mΩ MAX

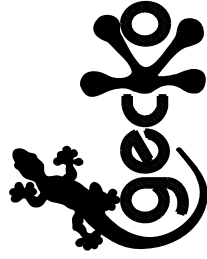
**WORKING VOLTAGE:**  
 EIA-364-20C : 2004: SEA LEVEL (1006mbar) = 450V DC/AC PEAK  
 EIA-364-20C : 2004: ALTITUDE LEVEL (44mbar) = 250V DC/AC PEAK

**VOLTAGE PROOF AT SEA LEVEL (1013mbar) = 600V DC/AC PEAK**

**INSULATION RESISTANCE:**  
 EIA-364-21C : 2000: INSULATION RESISTANCE (INITIAL)  
 = 10 GΩ MIN AT 500V DC  
 EIA-364-21C : 2000: INSULATION RESISTANCE (AFTER CONDITIONING)  
 = >1 GΩ MIN AT 500V DC

FOR FULL COMPONENT SPECIFICATION SEE C125XX (LATEST ISSUE).

MGP	4	22.06.17	20668
NAME	ISS.	DATE	C/NOTE
APPROVED: MGP			
CHECKED: SB			
DRAWN: S.FLOWER			
CUSTOMER REF.:			
ASSEMBLY DRG:			



**TOLERANCES**  
~~X.X = ±1.0mm  
 X.XX = ±0.50mm  
 X.XXX = ±0.10mm  
 X.XXX = ±0.01mm  
 ANGLES = ±5°  
 UNLESS STATED.~~

**MATERIAL:** SEE ABOVE

**FINISH:** SEE ABOVE

**S/AREA:** mm<sup>2</sup>

**THIS DRAWING AND ANY INFORMATION OR DESCRIPTIVE MATTER SET OUT HEREON ARE CONFIDENTIAL AND COPYRIGHT PROPERTY OF THE HARWIN GROUP AND MUST NOT BE DISCLOSED, LOANED, COPIED OR USED FOR MANUFACTURING, TENDERING OR FOR ANY OTHER PURPOSE WITHOUT THEIR WRITTEN PERMISSION.**

**HARWIN**

www.harwin.com  
 technical@harwin.com

**TITLE:** G125 SERIES COMPONENT SPECIFICATION

**DRAWING NUMBER:** G125-SERIES CONNECTORS

SHT 1 OF 1