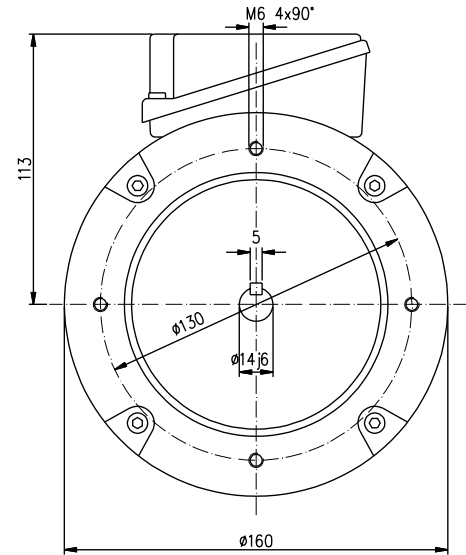
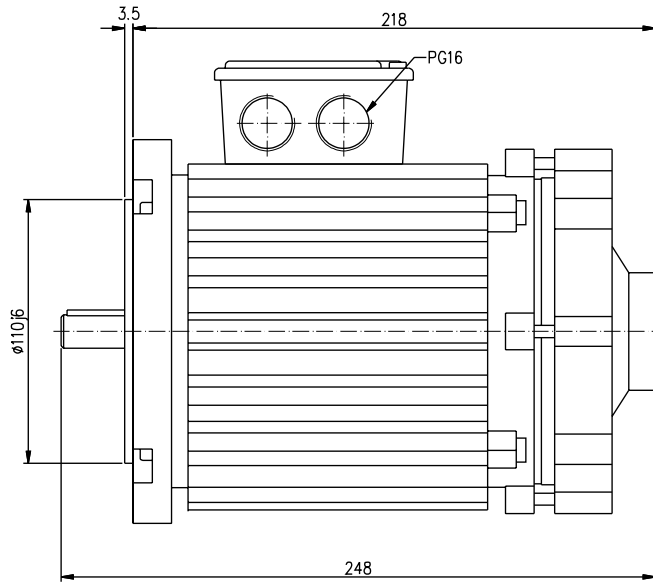


BRAKE MOTOR
TEMEC MJ7447



3~400/230 V 50 Hz						
Effect	RPM	Nominal torque	Brake torque	Current	S3	Thermal relay setting A
kW		Nm	Nm	A	%	A
0,75	1360	5,3	2,1	3,1/5,4	25	$\leq 3,1/5,4$

* Starting torque = 1.5 x Nominal torque