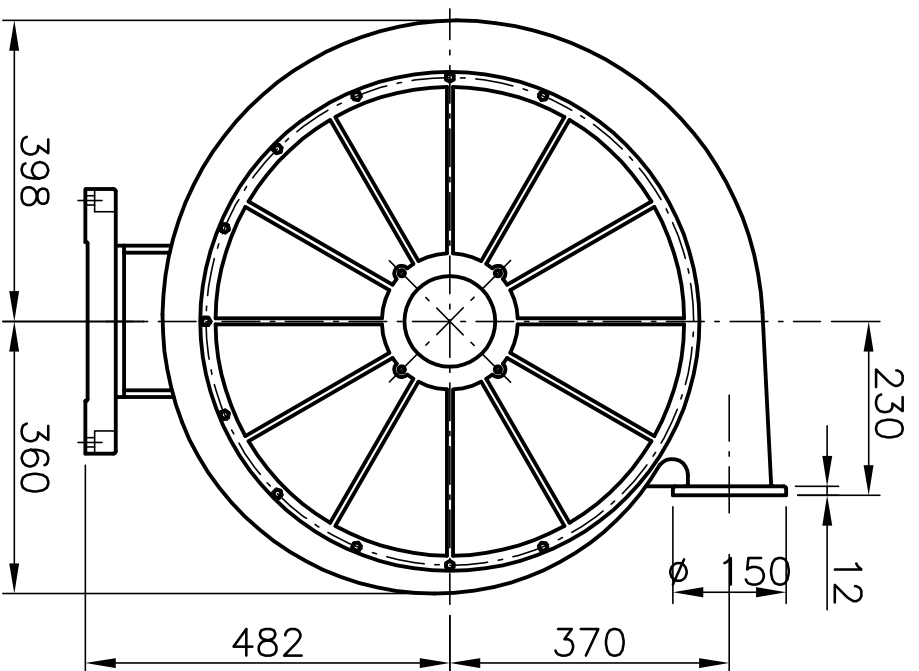
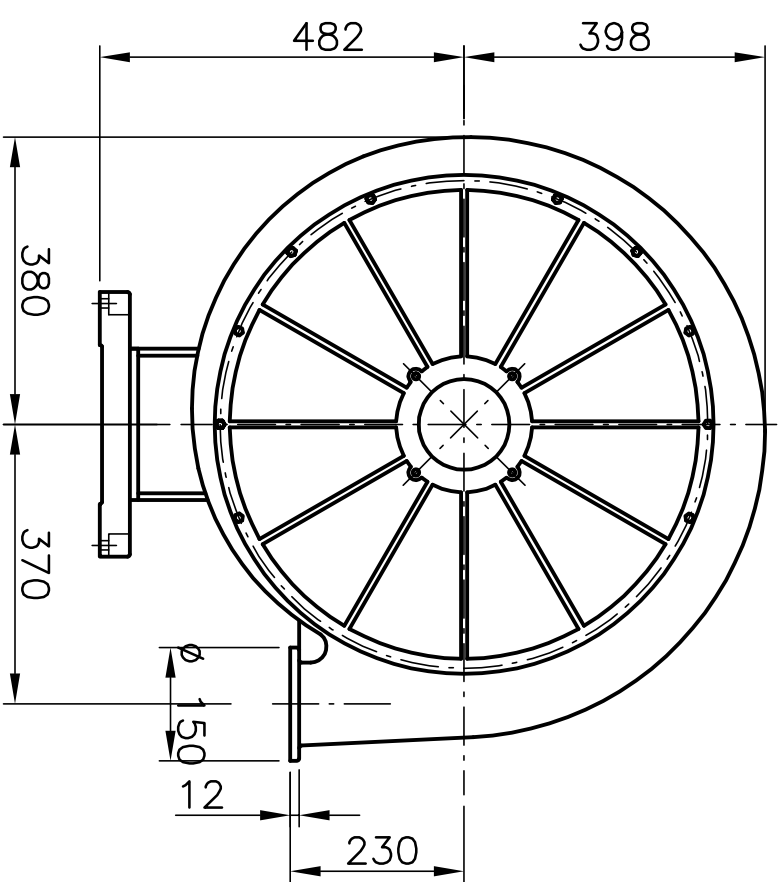


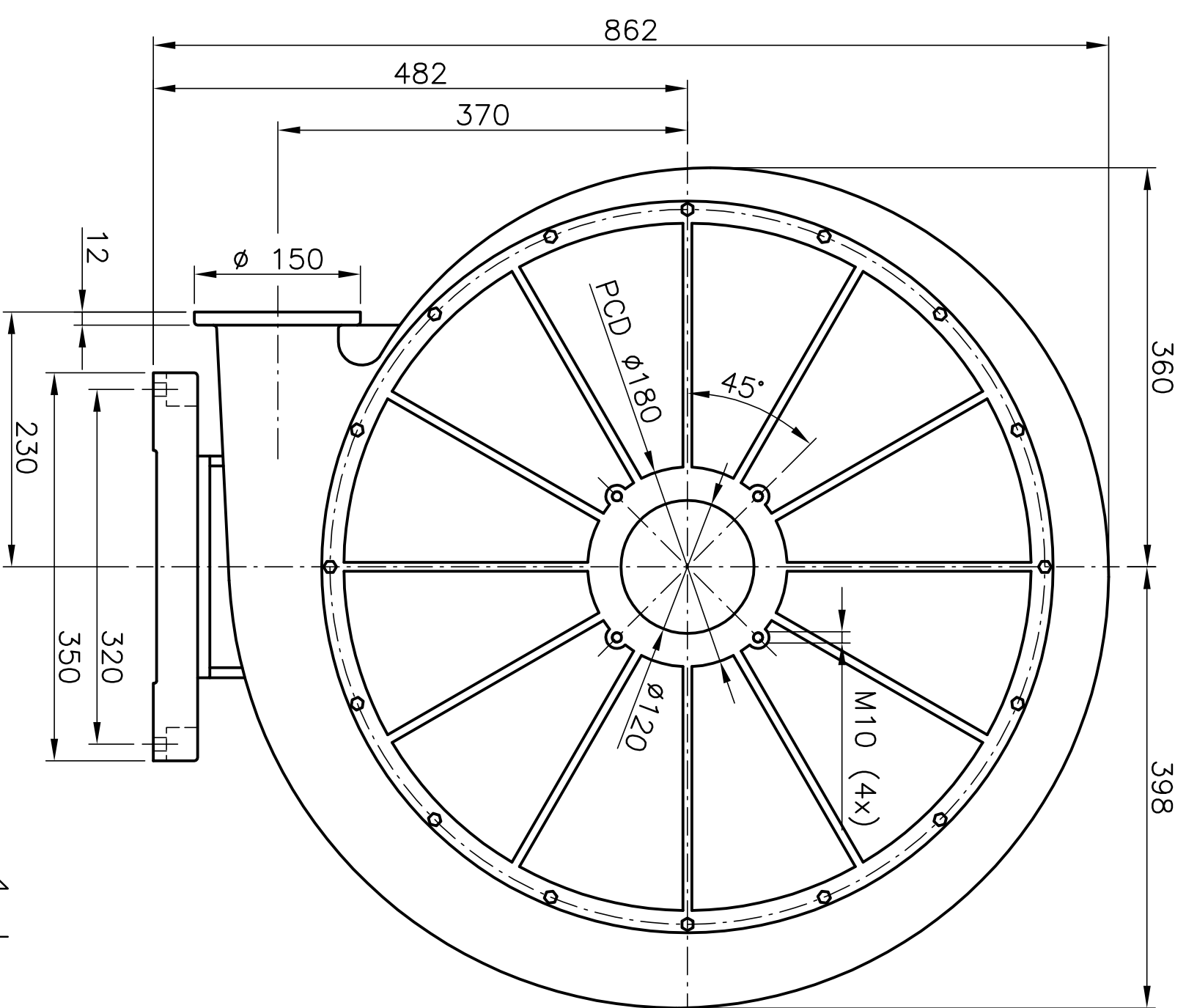
2L



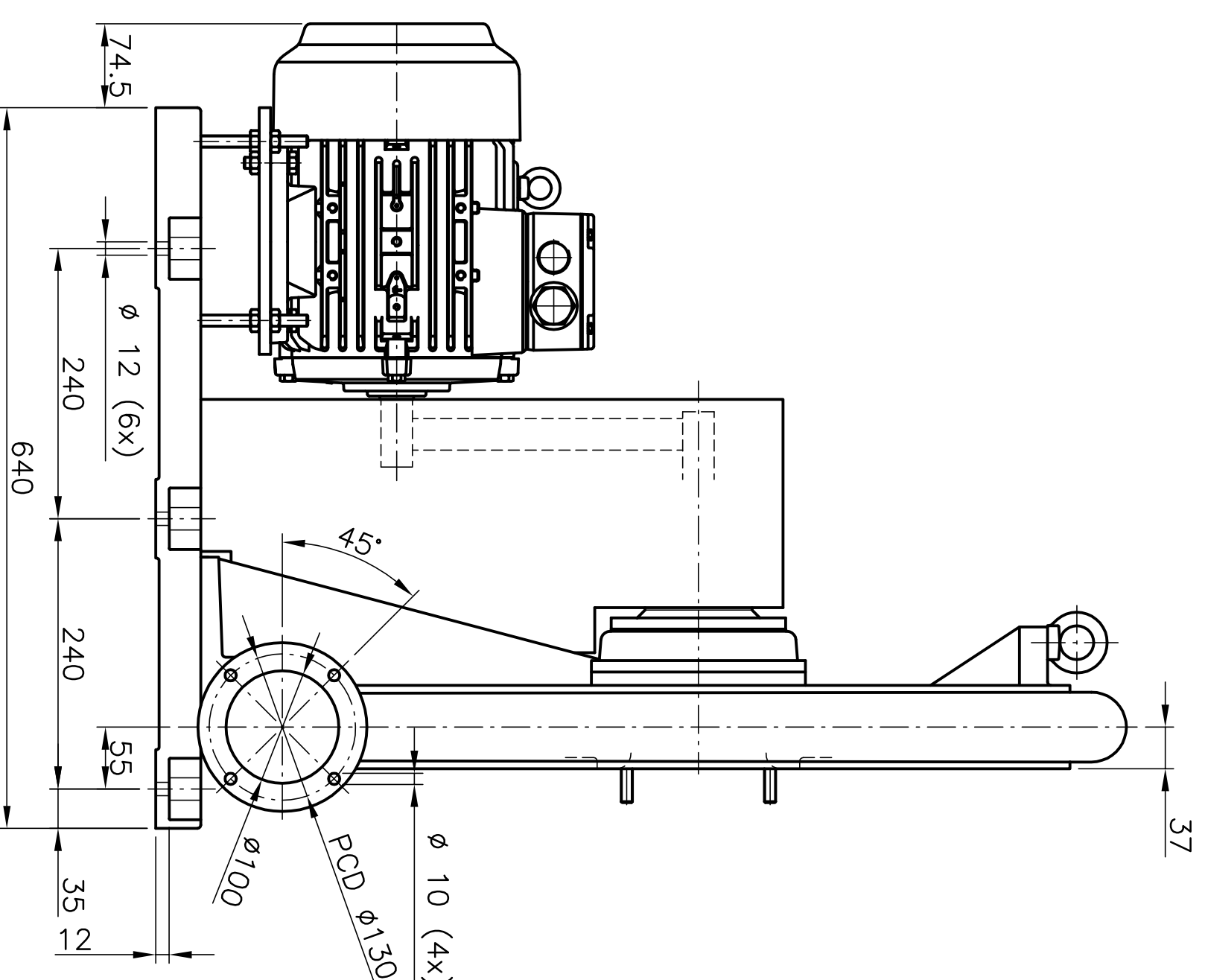
3L



4L



1L



Fantype : 54E625-132M/S2R0
 Part nr. : 700.916
 Fanspeed : approx. 3770 rpm
 Fan EX class : EX II 3G IIB c T3

 Motor frame size : IEC 112M - B3
 Motor power : 3.3 kW
 Motor supply : 400V DELTA-50Hz-3ph.
 Motor EX class : ATEX EX II 2G EEx-e-II-T3
 Protection : IP55 - Cl.F

ISSUE	QTY	DATE	DESCRIPTION	NAME
PROJECTION			ROUGHNESS SYMBOLS ACC. ISO 1302	
			GENERAL TOLERANCES ACC. ISO 2768-M	
			GEOMETRIC TOLERANCE SYMBOLS ACC. ISO 1101	

COMBIMAC BV
 EMMEN-HOLLAND
 Outline drawing of COMBIMAC fan.
 Type 54E625-132M/S2R0
 SCALE 1:5
 DIMS IN mm
 DRAWN 060512 HWK
 CHECKED

B.003.952