



# SOCKETS (8pins)



KH-TDR-R8



KH-KTS-8



KH-RS-R8



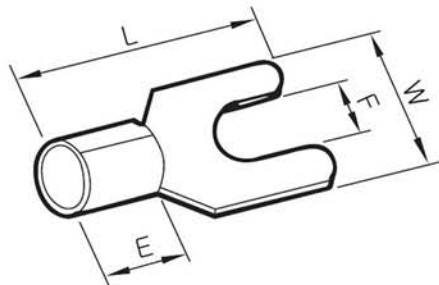
KH-MR-8



KH-RS-M8

\* RoHS compliant : "Surrounding air : 50°C Max." for KH-TDR-R8 AND KH-RS-R8

Model	KH-TDR-R8	KH-KTS-8	KH-RS-R8	KH-MR-8	KH-RS-M8
Ratings	250V 10A				
Insulation Resistance	100MΩ(500VDC)				
Dielectric strength	2,000VAC 50/60Hz for 1 minute				
Terminal	M3.5 Screw			M3 Screw	
Material	PBT glass			Nylon glass	
Wiring rug	E	4.5mm			
	F	min. Ø3.6			min. Ø3.1
	W	7.6mm max.	7.0mm max.		6.0mm max.
	L	min. 15.7mm			



CONTROL COMPONENTS

SQUARE LIGHT

TOWER LIGHT

MICRO SWITCH

FOOT SWITCH

LIMIT SWITCH

POWER SWITCH

HOIST SWITCH

CAM SWITCH

BUZZER

PHOTO SENSOR

PROXIMITY SENSOR

FLOATLESS LEVEL SWITCH

TIMER & COUNTER

RELAY

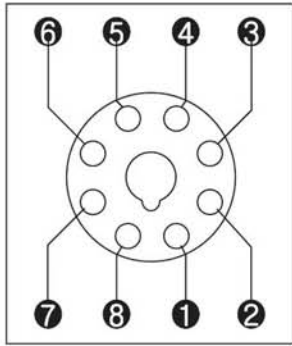
SOCKETS

TERMINAL BLOCK

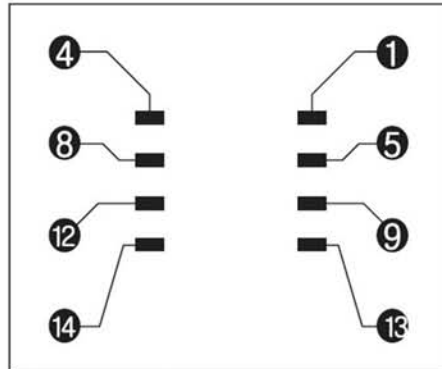
CONTROL BOX

PID TEMP. CONTROLLER

**Terminal Diagram**



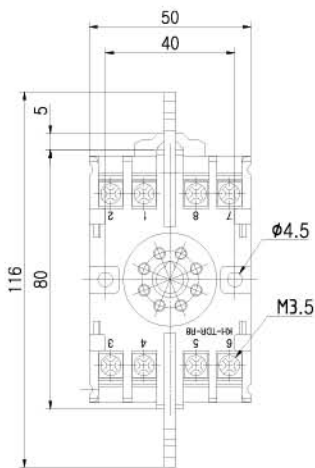
KH-TDR-R8  
KH-KTS-8  
KH-RS-R8  
KH-MR-8



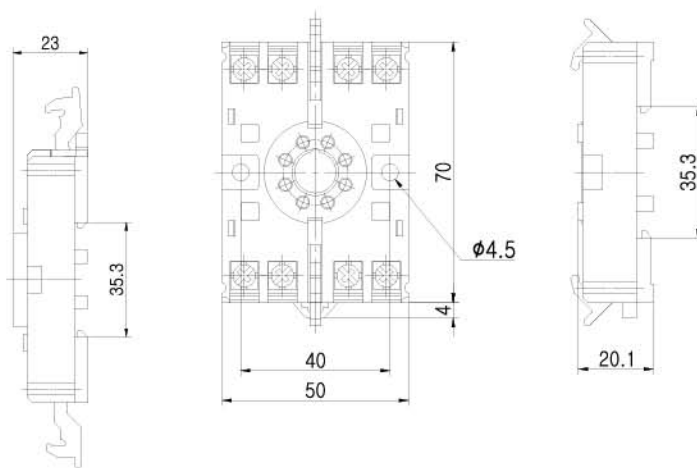
KH-RS-M8

**Dimension**

KH-TDR-R8

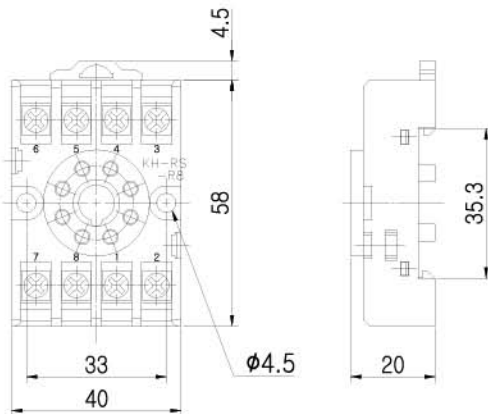


KH-KTS-8

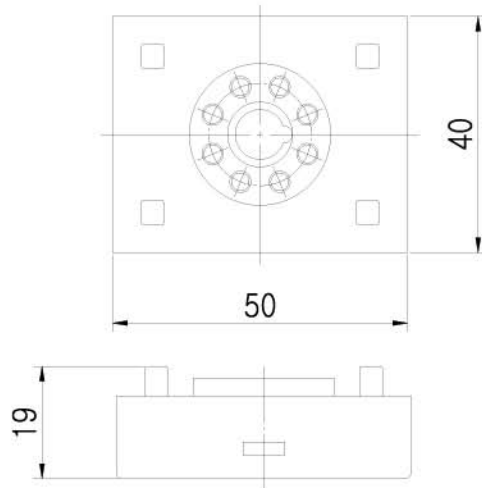


**Dimension**

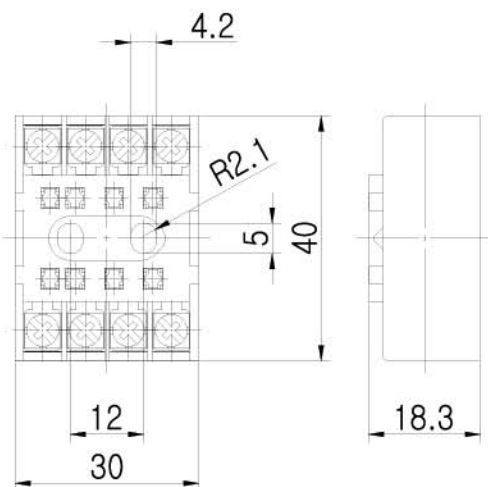
KH-RS-R8



KH-MR-8



KH-RS-M8



CONTROL COMPONENTS

SQUARE LIGHT

TOWER LIGHT

MICRO SWITCH

FOOT SWITCH

LIMIT SWITCH

POWER SWITCH

HOIST SWITCH

CAM SWITCH

BUZZER

PHOTO SENSOR

PROXIMITY SENSOR

FLOATLESS LEVEL SWITCH

TIMER & COUNTER

RELAY

**SOCKETS**

TERMINAL BLOCK

CONTROL BOX

PID TEMP. CONTROLLER