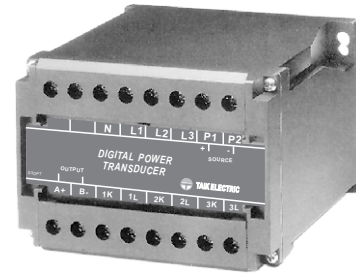




FEATURES

- True RMS measurement
- Modbus RTU 485 communication
- Extreme accuracy up to 0.2%
- Memory for all setup and energy data
- The case can be mounted on a 35mm rail which complies with DIN 46277



SPECIFICATION

Accuracy	V , A : $\pm 0.2\%$, Hz : $\pm 0.05\%$, W , Var , WH , VarH , PF : $\pm 0.5\%$
Total harmonic distortion	up to 31st
Demand	Amp , Watt
Operating temperature	0 ~ 60 °C
Storage temperature	-10 ~ 70 °C
Temperature coefficient	≤ 100 PPM/°C
Max. humidity	95 %
Sampling time	1 sec.
Measurements	1 ϕ 2W, 1 ϕ 3W, 3 ϕ 3W, 3 ϕ 4W
Power factor range	$\cos\theta(\sin\theta)$ 0.5 ~ 1
Frequency range	45 ~ 65 Hz
Voltage range (line to line)	AC 3 ~ 520 V
Voltage range (line to neutral)	AC 2 ~ 300 V
Voltage maximum overload	AC 750 V
Voltage input impedance	≥ 800 K Ω
Current input burden	≤ 0.1 VA
Current range	AC 5A(Standard) or 1A(Option)
Starting current	0.1 % F.S.
Auxiliary power source	AC/DC 85 ~ 265 V , DC 20 ~ 60 V(Option)
Power consumption	≤ 6 VA
Memory period	At least 20 years
Isolation	Input / output / power / case
Max. input	AMP : 3 x rated continuous , 10 x rated 10 sec. , 50 x rated 1 sec. Voltage : 2 x rated continuous
Dielectric strength	IEC 60688 , AC2.6KV / 1 min. , between input / output AC2KV / 1 min between input / output / power AC3KV / 1 min. between all terminals / case
Analog output	DC 4 - 20 mA (Option)
Communication interface	RS 485
Protocol	MODBUS , RTU
Baudrate	1200 ~ 38400 programmable
Address	1 ~ 249 programmable
Data format	N.8.1 , N.8.2 , O.8.1 , E.8.1
Parallel connection	Up to 32 meters

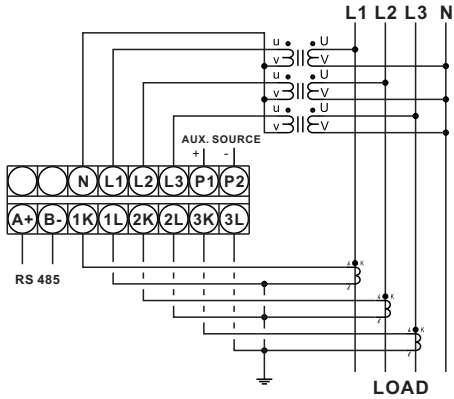
Electromagnetic compatibility(EMC)

Electrostatic discharge	IEC 61000-4-2
Electromagnetic field immunity	IEC 61000-4-3
Electrical fast transient / burst immunity	IEC 61000-4-4
Surge immunity	IEC 61000-4-5
Immunity to conducted disturbances	IEC 61000-4-6
Power frequency magnetic field immunity	IEC 61000-4-8
Short interruptions and voltage variations immunity	IEC 61000-4-11
Harmonic current emissions	IEC 61000-3-2
Voltage changes , voltage fluctuations and flicker	IEC 61000-3-3

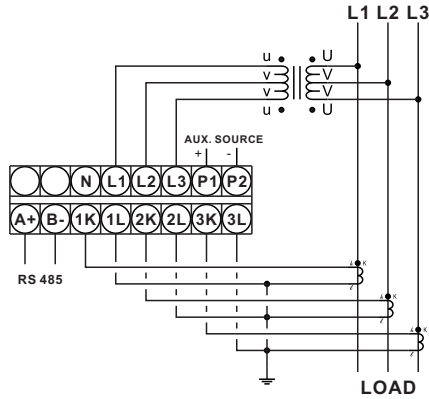


CONNECTION DIAGRAM

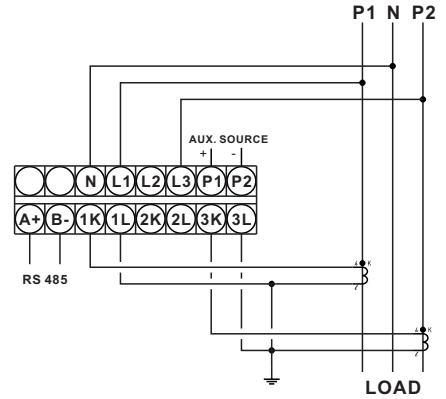
3-Phase 4-Wire(3PTs,3CTs)



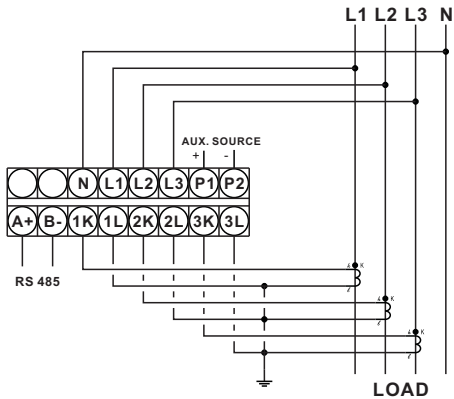
3-Phase 3-Wire(2PTs,3CTs)



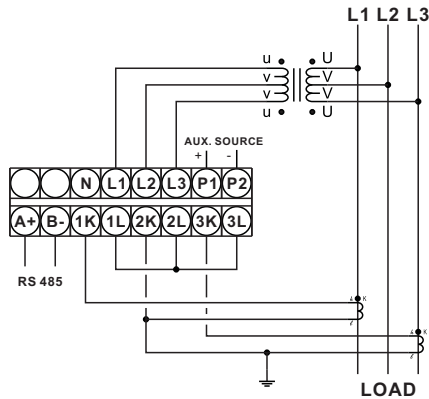
1-Phase 3-Wire(2CTs)



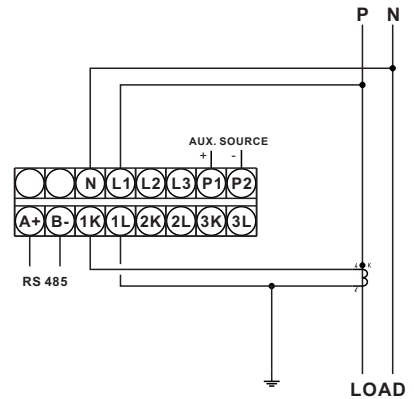
3-Phase 4-Wire(3CTs)



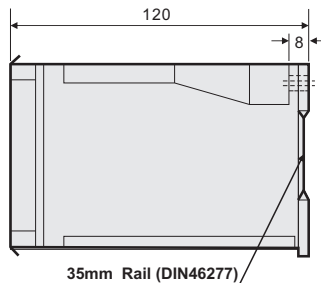
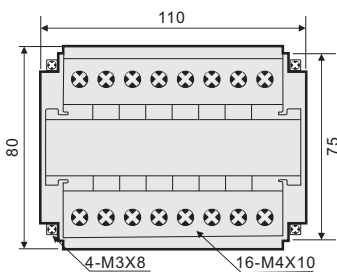
3-Phase 3-Wire(2PTs,2CTs)



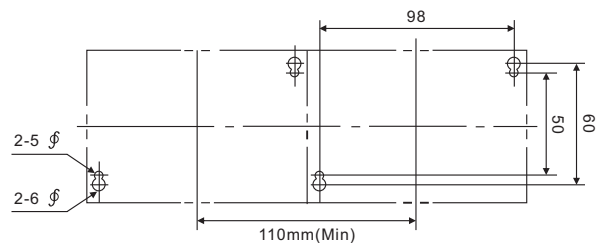
1-Phase 2-Wire(1CT)



DIMENSIONS(Unit: mm)



PANEL MOUNTING HOLES



TAIK ELECTRIC CO.,LTD.

4 THFL., NO. 5 , ALLEY 11 , LANE 327 , CHUNG SHAN RD .,
SEC.2,CHUNGHE DISTRICT, NEW TAIPEI CITY,TAIWAN,R.O.C.
TEL: (02)2242-6825 E-mail: taikco@ms15.hinet.net
FAX: (02)2242-6827 http://www.taik.com.tw



IS 09001:2008 Certified
FM 40649