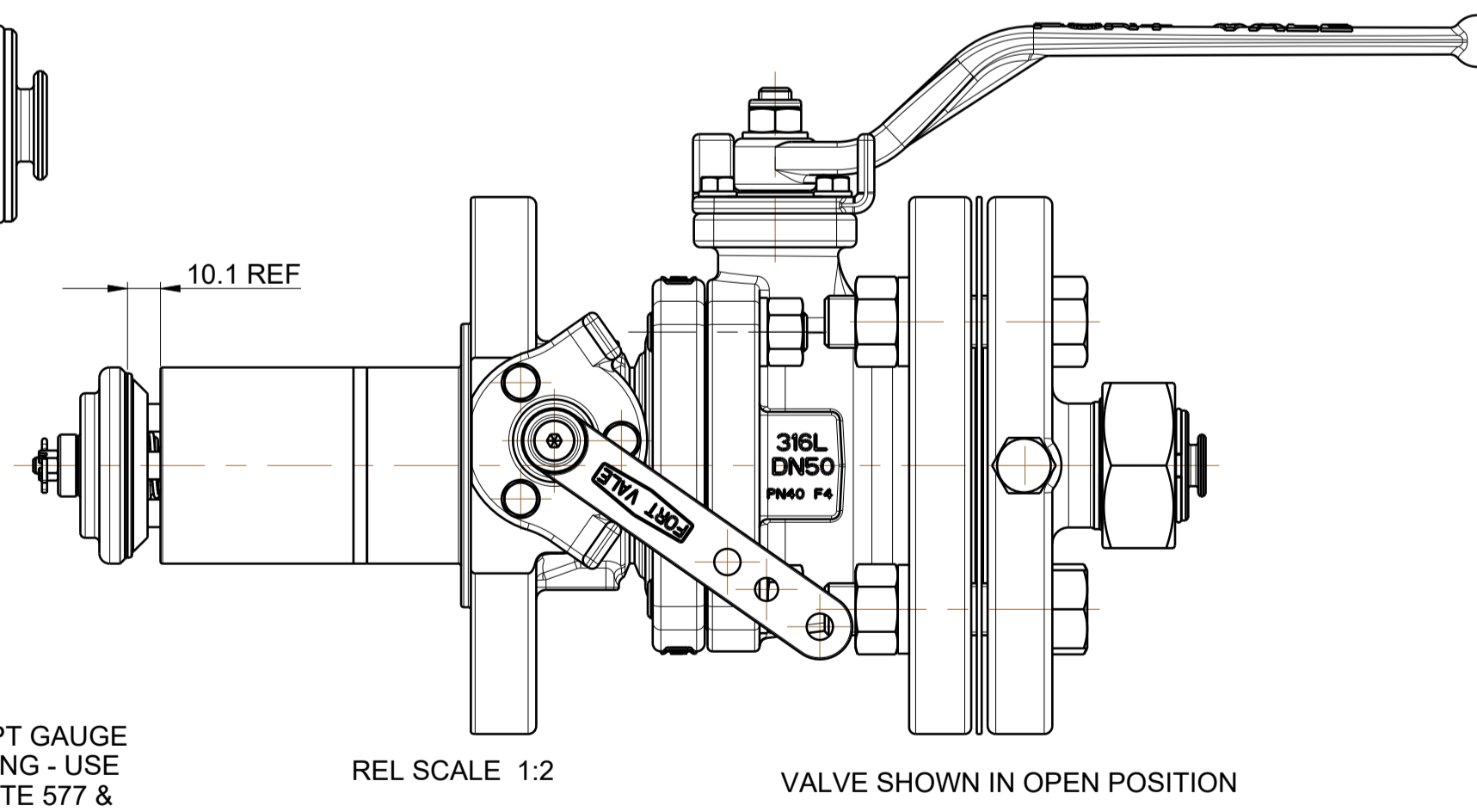
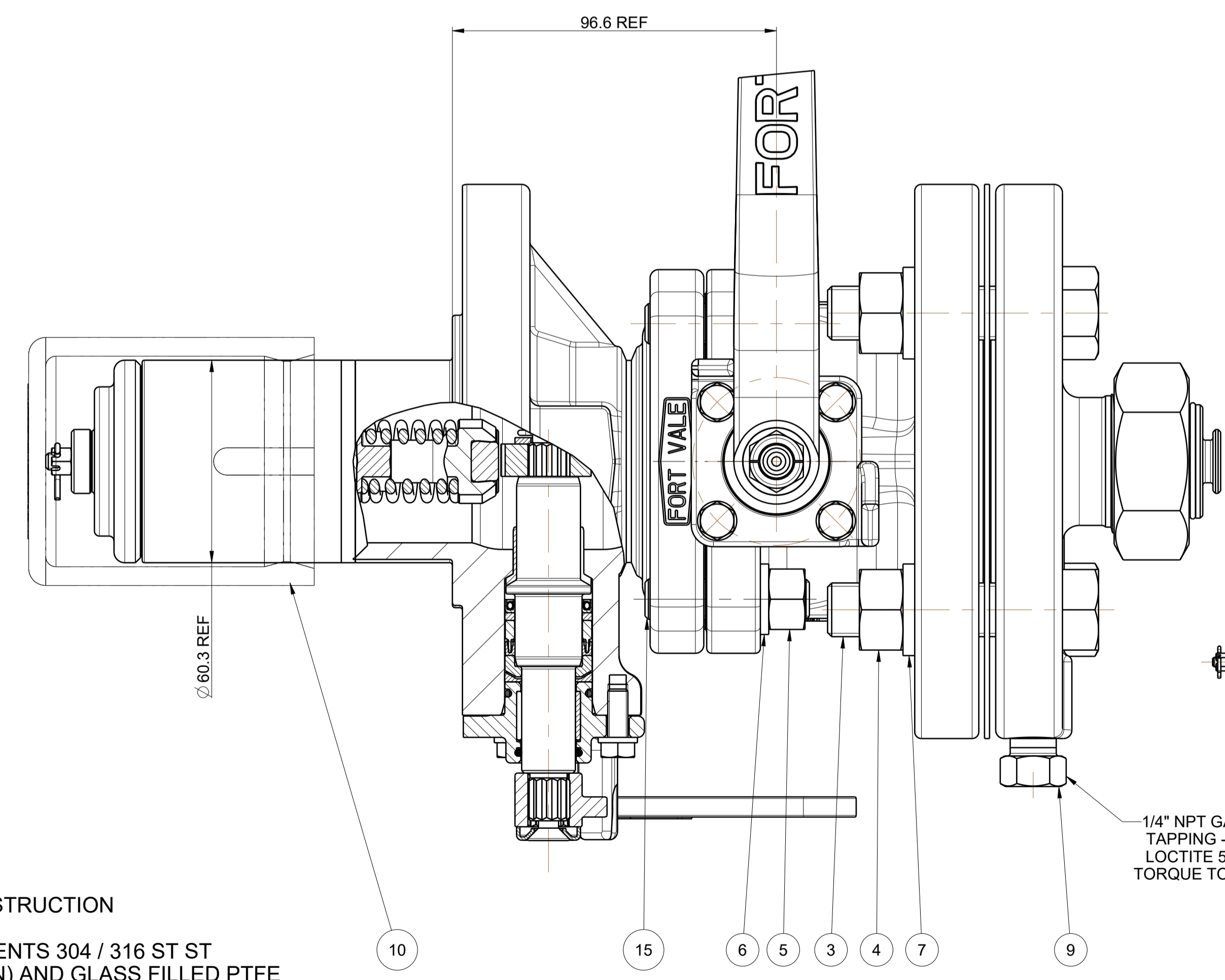
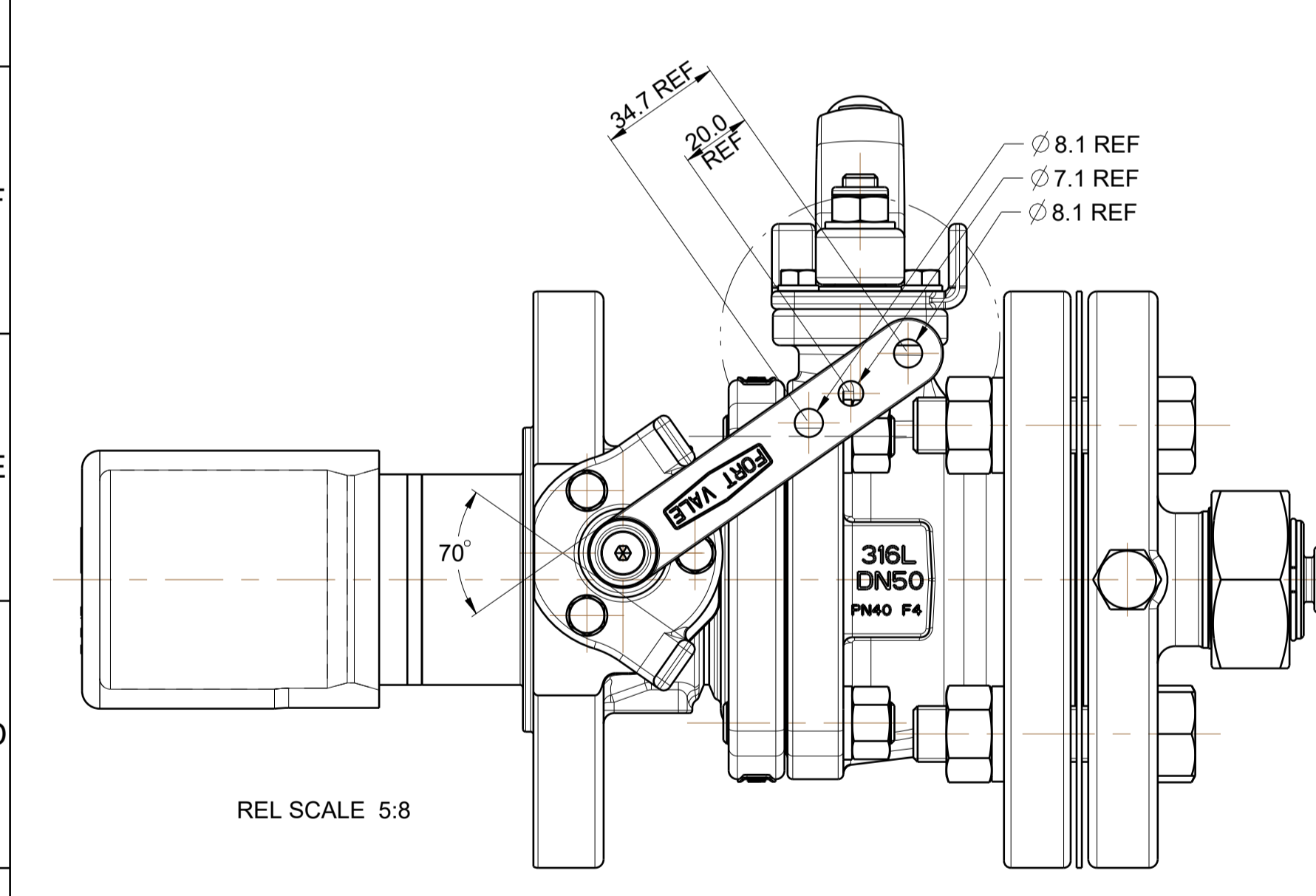
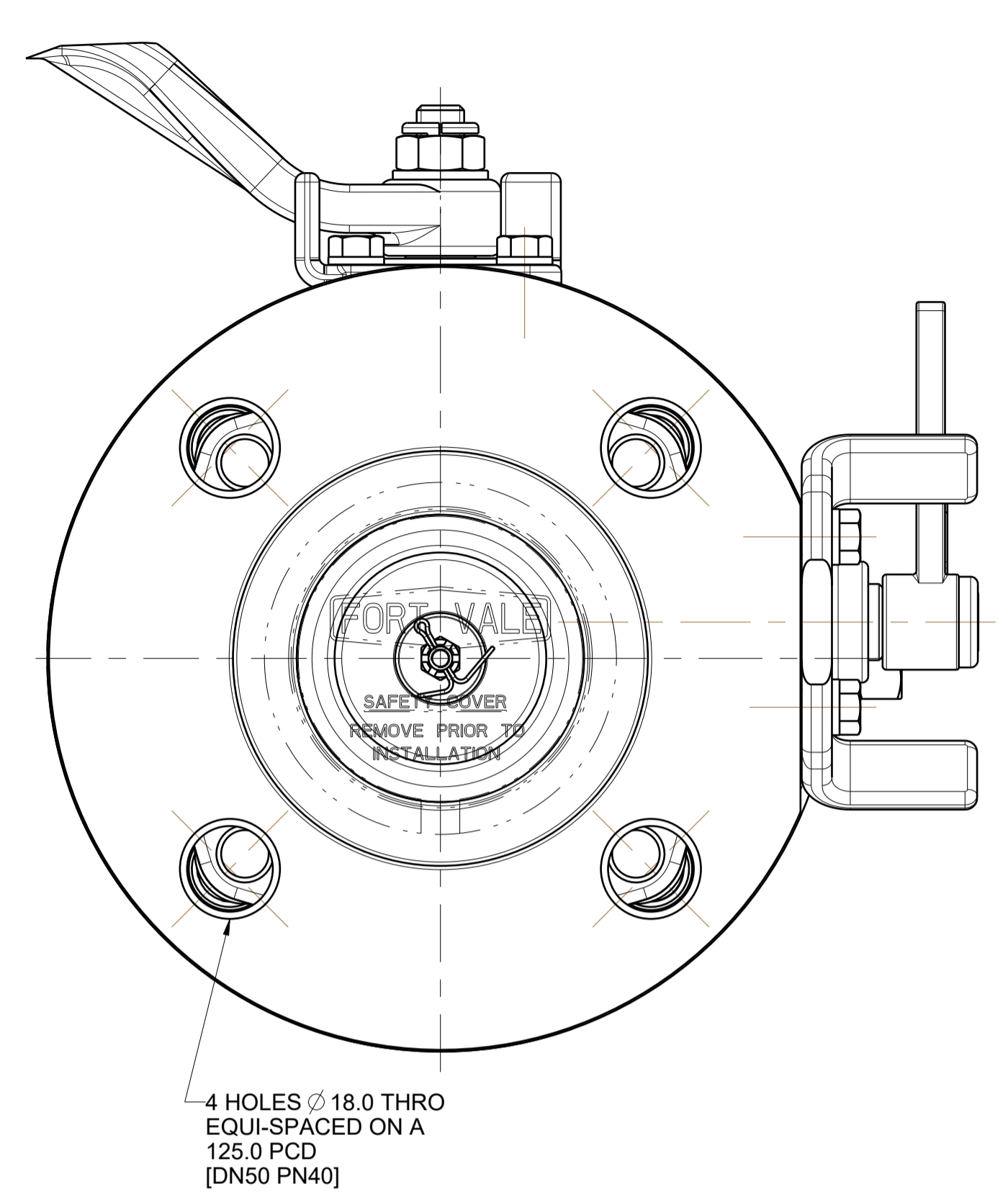
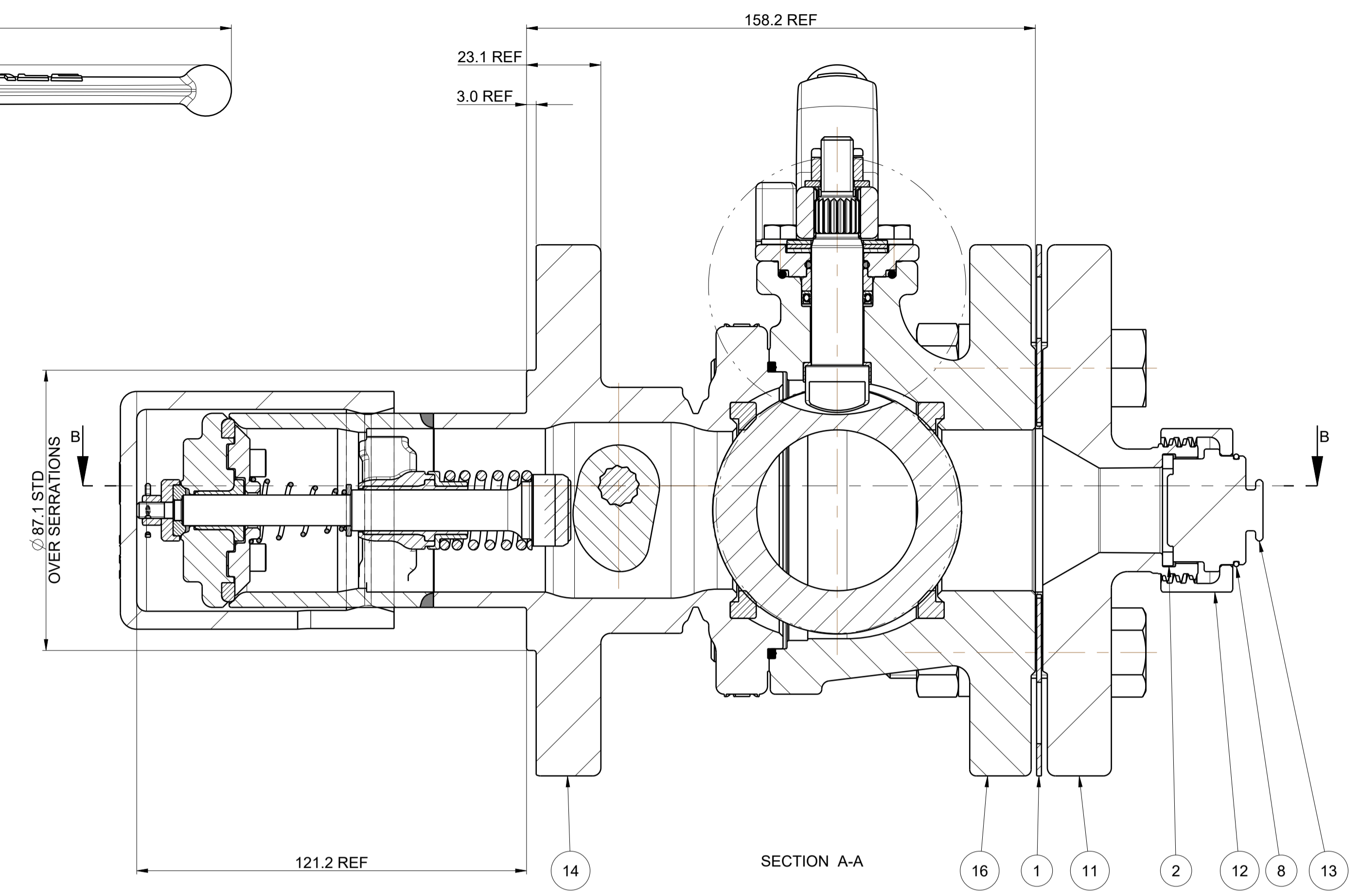
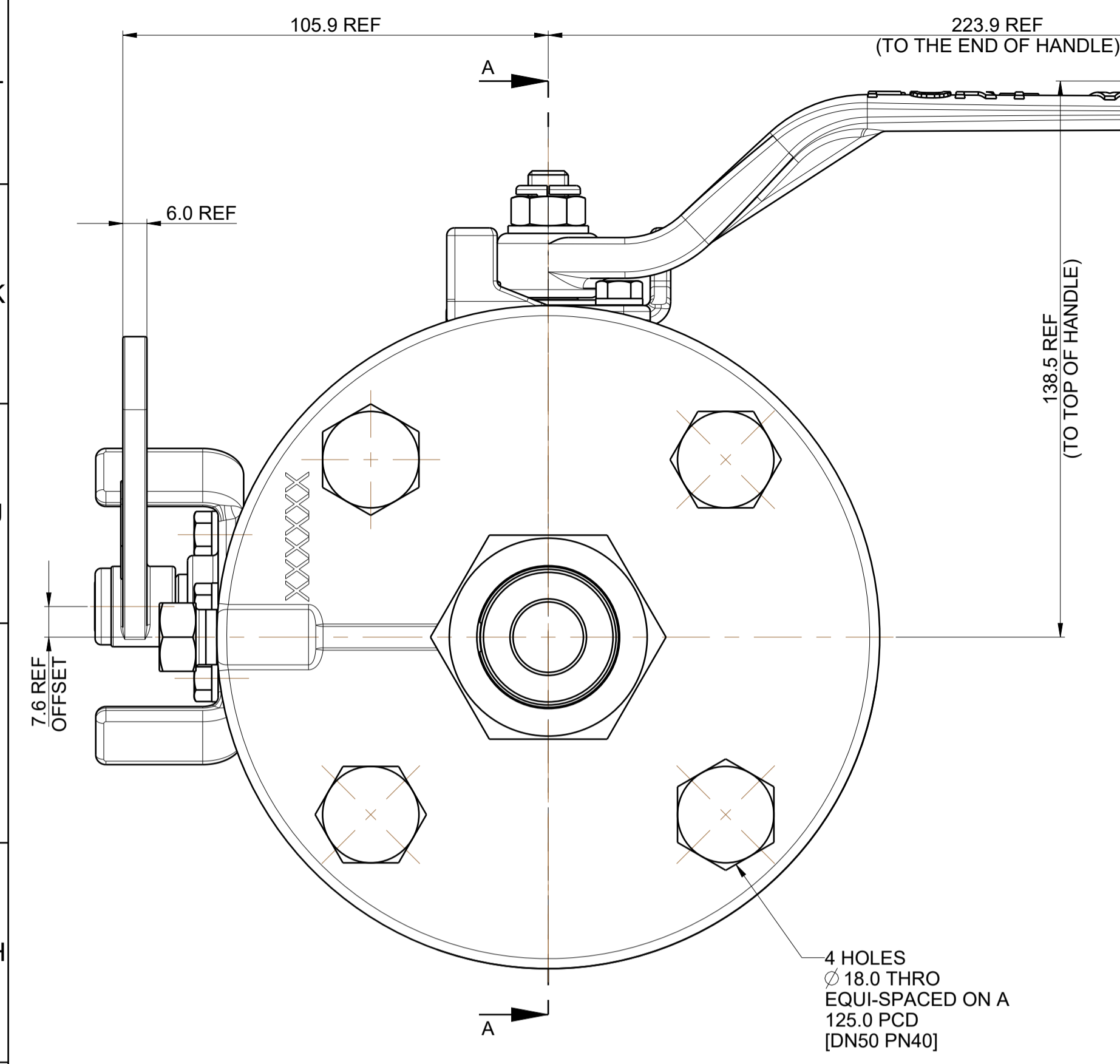


DRAWING STATUS		PRODUCTION	
REVISION	09	SIG	J KAY
		01-Feb-18	
NOTE ADDED [12:C]			



FORT VALE

2" GAS VALVE
 Part No. 802B/0010R
 Material. 304 / 316 STST
 Seals PTFE MAIN SEAL
 MAWP 34.5 BAR [500.0 PSI]
 Serial No. 123456789
 MADE IN UK
 Web: www.fortvale.com

GAS PHASE VALVE
 КЛАПАН ГАЗОВОЙ ФАЗЫ

Index	Part Number	Description	Material	Qty
16	370/3362B	DN 50 PN 40 BALLVALVE	304/316 STST	1
15	370/3314	M12 STUD	304 STST	4
14	252/5080B	2" EXCESS FLOW GAS FOOTVALVE	304/316 STST	1
13	252/2086	1 3/4" ACME PLUG	304/316 STST	1
12	252/2085	1.3/4" ACME CAPLET	316 STST	1
11	252/2084	1.75" ACME OUTLET	316 STST	1
10	252/2006R	BLUE PROTECTIVE CAP GAS PHASE	POLYETHYLENE	1
9	5128-008	1/4" NPT TAPER PLUG	304 STST	1
8	5120-028	RETAINING RING CLIP	304/316 STST	1
7	5113-012	M16 SPRING WASHER	304 STST	4
6	5113-010	M12 SPRING WASHER	304 STST	4
5	5112-006	M12 FULL NUT	304 STST	4
4	5112-003	M16 FULL NUT	304 STST	4
3	5111-090	M16 X 70mm HEX BOLT	304 STST	4
2	5005-878	PTFE SEAL	VIRGIN PTFE	1
1	5005-726	PTFE CNAF GASKET	PTFE / CNAF	1

MATERIALS OF CONSTRUCTION
 ALL STEEL COMPONENTS 304 / 316 ST ST
 SEALS PTFE (TEFLON) AND GLASS FILLED PTFE
 GUIDE BUSHES FLUOROSINT
 SPRINGS STAINLESS STEEL

DESIGN CODE : ASME VIII DIV 1
 DESIGN PRESSURE (MAWP) : 34.5 BAR (500 PSI)
 HYDRAULIC TEST PRESSURE : 70 BAR (1015 PSI)
 MAX DESIGN TEMPERATURE : 80°C(176°F)
 MIN DESIGN TEMPERATURE : -55°C(-67°F)

ALL WELDS TO ASME VII DIV1
 UW-35 AND UW-36

CUSTOMER APPROVAL		
COMPANY	APPROVAL SIGNATURE	SIGNATORY NAME (BLOCK CAPITALS)

FORT VALE
 SALES@FORTVALE.COM WWW.FORTVALE.COM
 ENGLAND, USA, CHINA
 NETHERLANDS, SINGAPORE
 © FORT VALE ENGINEERING LTD 2018. DO NOT SCALE - IF IN DOUBT ASK

UNLESS OTHERWISE STATED	FIRST ANGLE PROJECTION	MATERIAL: 304 / 316 STST
X.X ±0.5	SURFACE FINISH 3.2um MAX	SCALE: NTS MASS: 17.97 kg
X.XX ±0.25	CORNER RADII 0.8	CHECKED DVN: 31126
X.XXX ±0.125	CORNER CHAMFER 1.0 X 45°	SHEET 1 OF 1
ANGLES ±0.5°	REMOVE ALL BURRS AND SHARP EDGES	DRAWN BY: S GREENWOOD DATE: 27-Mar-07
DESCRIPTION		DRG. NO.
2" GAS FOOTVALVE SHORT PROFILE		802B/0010R
2" GAS PHASE RIGHT HAND		A1 UNITS mm