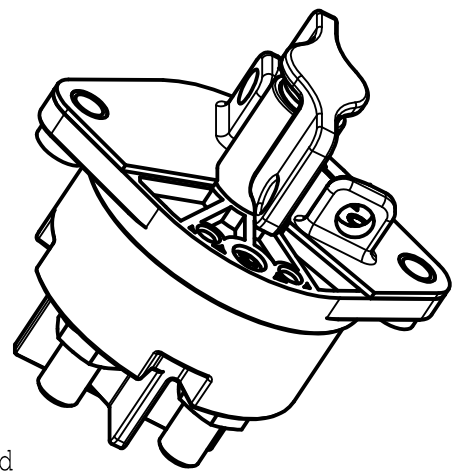


Technical Data:

Case Material: Cover:.....Vyncolit black
 Base Plate:.....PA GF black
 Switch Lever Material:.....PA GF black
 Min. Insulation Resistance:.....100MΩ
 Dielectric Withstanding Voltage:.....1050V-1min
 Max. Contact Voltage Drop:.....150mV
 Voltage:.....up to 32VDC
 Continuous Rating:.....2x500A
 Overload:.....2x2000A-1.5min
,.....2x2500A-10sec
 Sealing:.....IP 67/IEC 529
 Vibration:.....10G 18-500Hz
 Weight:.....754g / 1.7Pound
 Temperature Range:.....-40°C to +85°C
 Wire Section (at nominal load):.....min.250mm²
 Key:.....not removeable, black
 Max. Torque (Main Contacts)18-22Nm



	Date	Name	mm	Scale	Drawing No:
Drawn	24.05.2004	Grind	—	1:2	35-524-231-S-900
Check	04.11.2013	Grind	General Tolerances DIN ISO 2768 mK		NSN:

