

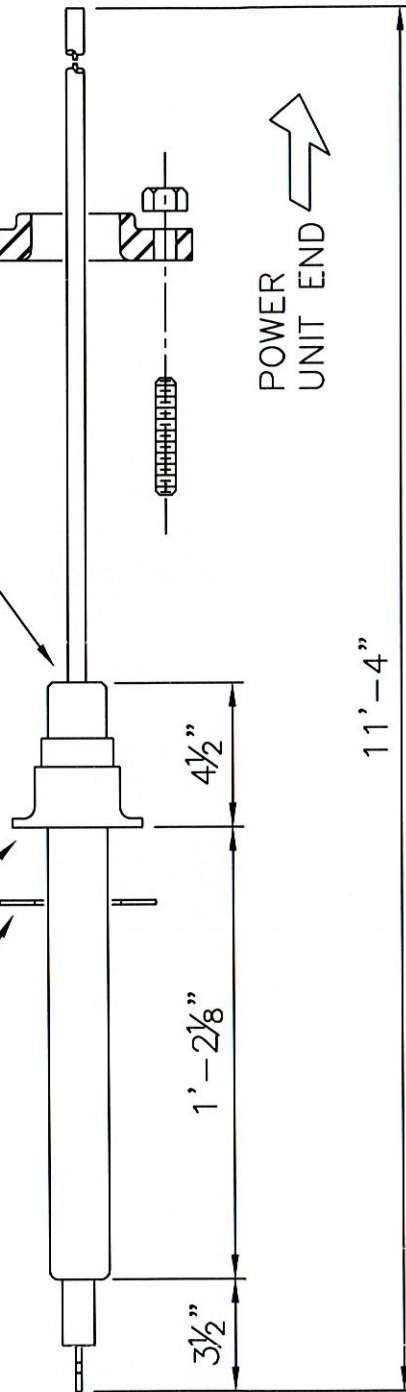
2"-300# LAP FLANGE


1" N.P.T.

FLANGE FACE

2"-300# GASKET

POWER
UNIT END



00	INITIAL RELEASE	MDC	01 DEC 2006
REV	ECN	DESCRIPTION	DATE
DATE: 01 DEC 2003	DO NOT SCALE	SCALE:	TITLE: GENERAL ARRANGEMENT LF-135 ENTRANCE BUSHING
PRODUCT CODE 0802			CLIENT:
<p>This drawing is the property of and contains CONFIDENTIAL, proprietary information of PETRECO INT'L, INC. The information in this drawing is not to be copied, in whole or in part, or disclosed or used in any way detrimental to the interests of PETRECO INT'L INC. and shall be returned upon request.</p>		DOC No. 103-134	REV 00
		SHEET 1 OF 1	