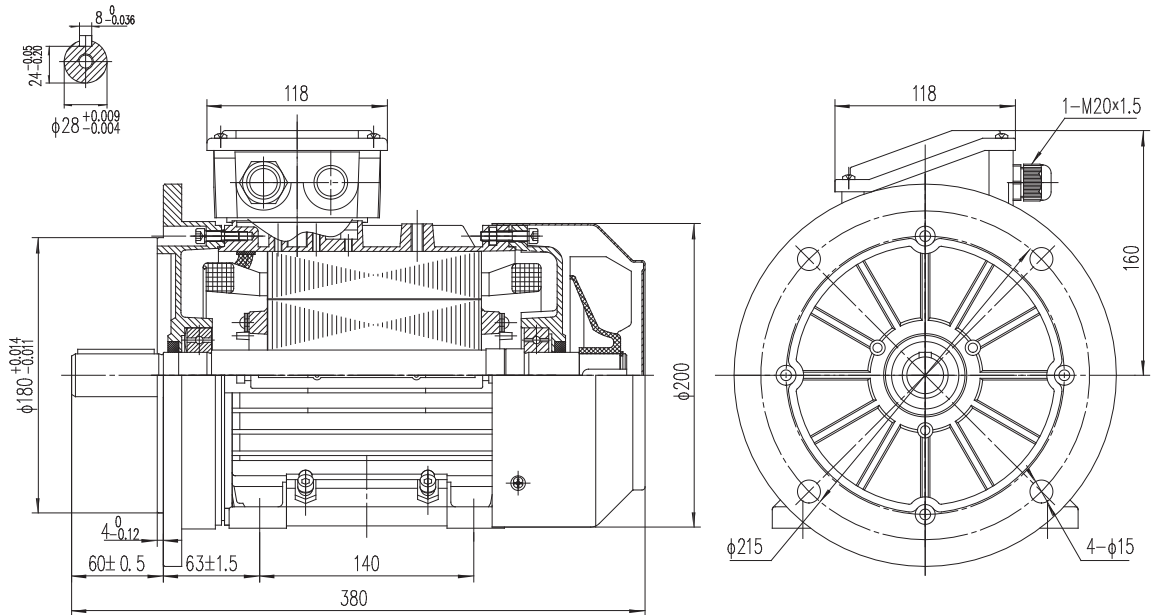


Type T2A 100L2-4

Cod. I1000403,035A5A0TAMT

Mounting position

IM	B35
IM	2001



Electrical data			
Rated motor power	3		Kw
Rated motor speed	1440		min^{-1} 50Hz
	1730		min^{-1} 60Hz
Rated motor frequency	50		Hz
Rated motor voltage(+/-10%)	230		V Δ /50Hz
	400		VY/50Hz
	280		V Δ /60Hz
	480		VY/60Hz
Rated motor torque	20.03		Nm (Mn)
Rated motor current	11.02	V Δ /50Hz	A (In)
	6.37	VY/50Hz	A (In)
Starting motor current	7.6		xIn
Starting motor torque	2.3		xMn
Breakdown motor torque	3.2		xMn
Starting			D.O.L.
Efficiency class	IE2		
Efficiency	50Hz	60Hz	
	85.5	87.9	100% load
	86.2	87.8	75% load
	85.3	87.9	50% load
Power factor cos ϕ	0.8	0.8	100% load

General data			
Frame size	100		
Mounting	B35		
Weight	27.14		Kg
Casing material	Aluminum		
Protection	IP		55
Insulation class/Temperature rise	F	/	B
Tropicalization	Yes		
Vibration class	N		
Duty	S1		
Direction of rotation	Bidirectional		
Method of cooling	IC		411
Cable entry	2-M20x1,5		
Standards	IEC/DIN/ISO/VDE/EN		
Execute at Standard	IEC 60034-1		
Feet removable	Yes		
Paintwork	RAL	7024	dark grey
Thermal protections	n/a		

Site conditions	
Ambient temperature	from -20°C to +40°C
Altitude above sea level	1000 m

Mechanical data						
Noise level	LpA	70	dB(A)	Bearing DE side	6206-2RS-C3	
	LwA	80	dB(A)	Bearing NDE side	6206-2RS-C3	
Moment of inertia	0.00974		Kgm ²	Average bearing lifetime	40000 h	
Bearings type			NSK	Relubrication interval L1 DE bearing	life h	
Lubricants for bearings	See installation and maintenance manual page 12			Relubrication interval L1 NDE bearing	life h	
				Compensation ring		NDE SIDE standard