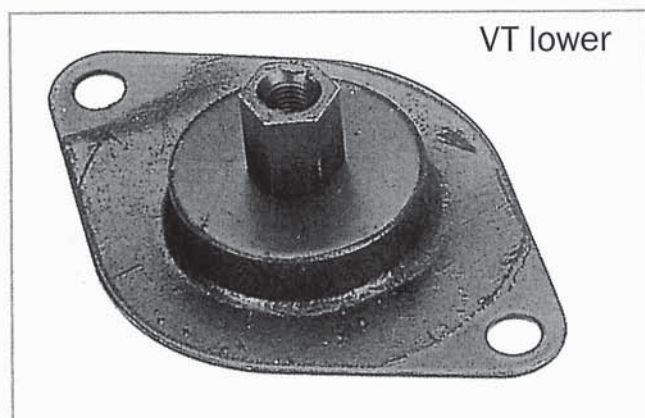
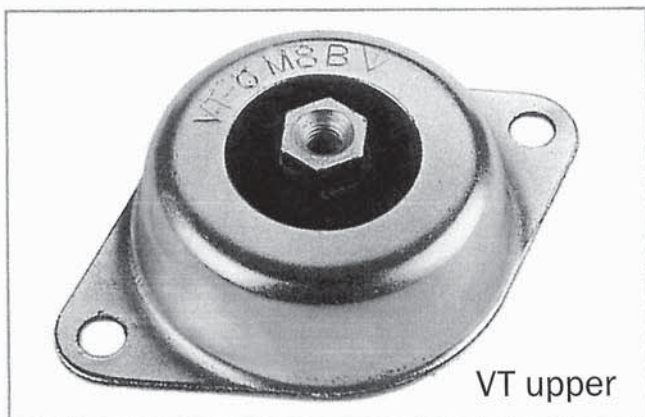


VT™



Features

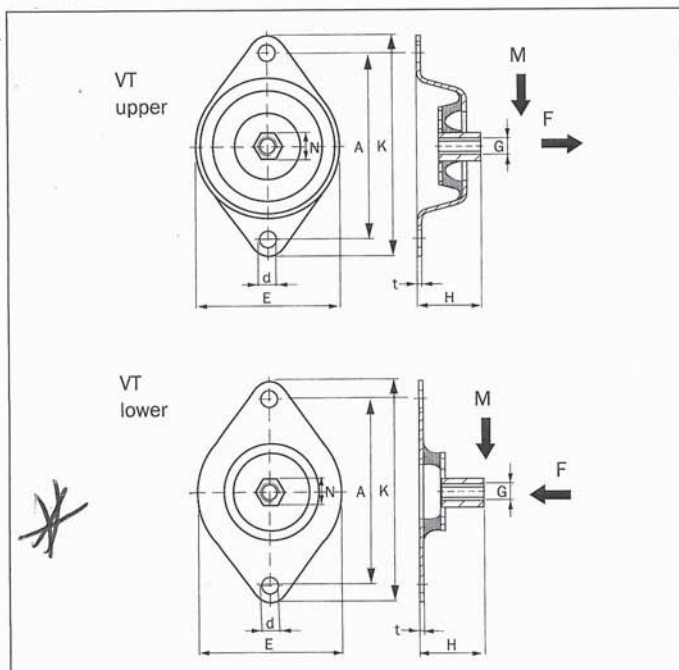
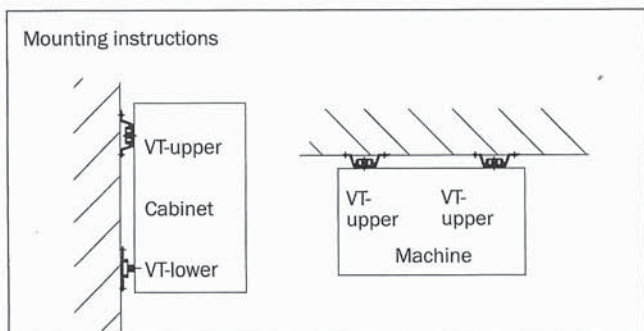
Type VT™ has been designed so that upon installation the rubber section is subjected to shear loads, thus providing high deflection even at low loads.

Two different parts are available. The VT-upper provides for protection against tension preventing the isolated unit from falling down if overloading occurs.

VT-lower is designed to accept horizontal compression loads and allow shear deflection vertically.

Novibra® type VT™

Novibra® type VT™ protects wall-mounted instrument cabinets from vibrations and shocks generated by nearby engines, workshop machinery, etc. It is also suitable to isolate light wall-mounted machines, fans, refrigerating units, etc.



Type	Part no.		Dimensions in mm								M-Max (Kg)		F-Max (Kg)		Weight (Kg)
	40°IRH	60°IRH	E	K	A	H	d	N	t	G	40°IRH	60°IRH	40°IRH	60°IRH	
VT Upper	10-01369	10-01370	75	114	96	33	9	15	1,5	M8	14	25	30	70	0,149
VT Lower	10-01373	10-00015	75	114	96	33	9	15	1,5	M8	14	25	30	70	0,104