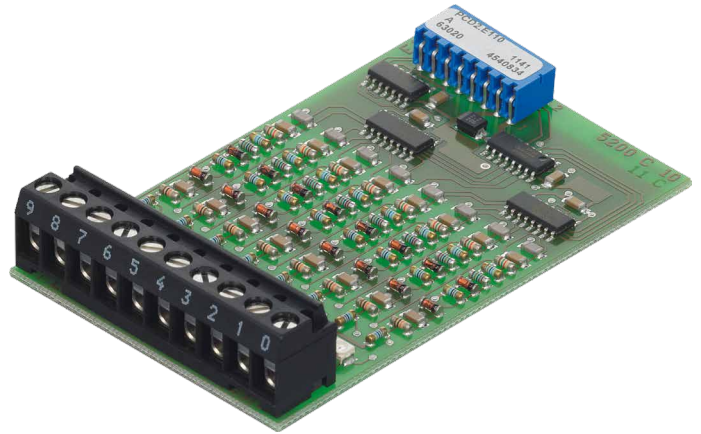


PCD2.E110

8 digital inputs,
electrically connected,
source or sink operation

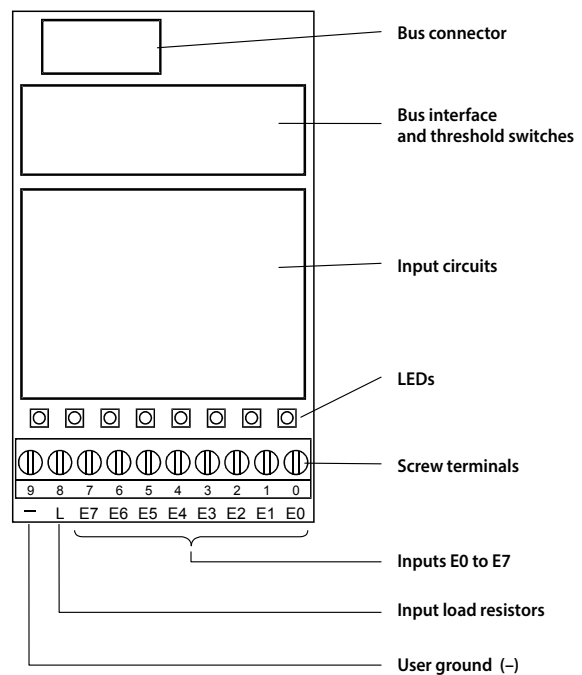


Low-cost input module for source or sink operation with 8 inputs, electrically connected. Suitable for most electronic and electromechanical switching elements at 24 VDC. The PCD2.E111 differs from the PCD2.E110 in its shorter input delay, typically 0.2 ms.

Technical data

Number of inputs	8 electrically connected, source or sink operation
Input voltage	24 VDC (15...30 VDC) smoothed or pulsed
Input current	6 mA at 24 VDC
Input delay	typically 8 ms
Resistance to interference acc. to IEC 801-4	2 kV under capacitive coupling (whole trunk group)
Internal current consumption (from +5 V bus)	1 ... 24 mA; typically 12 mA
Internal current consumption (from V+ bus)	0 mA
External current consumption	max. 48 mA (all inputs=1) at 24 VDC
Terminals	Pluggable 10-pole screw terminal block (4 405 4847 0), for wires up to 1.5 mm ²

LEDs and connection terminals



Watchdog: This module can be used on all base addresses; there is no interaction with the watchdog on the CPUs. For details, please refer to the "Watchdog" section of the manual 26-856_ENG, which describes the correct use of the watchdog in conjunction with PCD2 components.

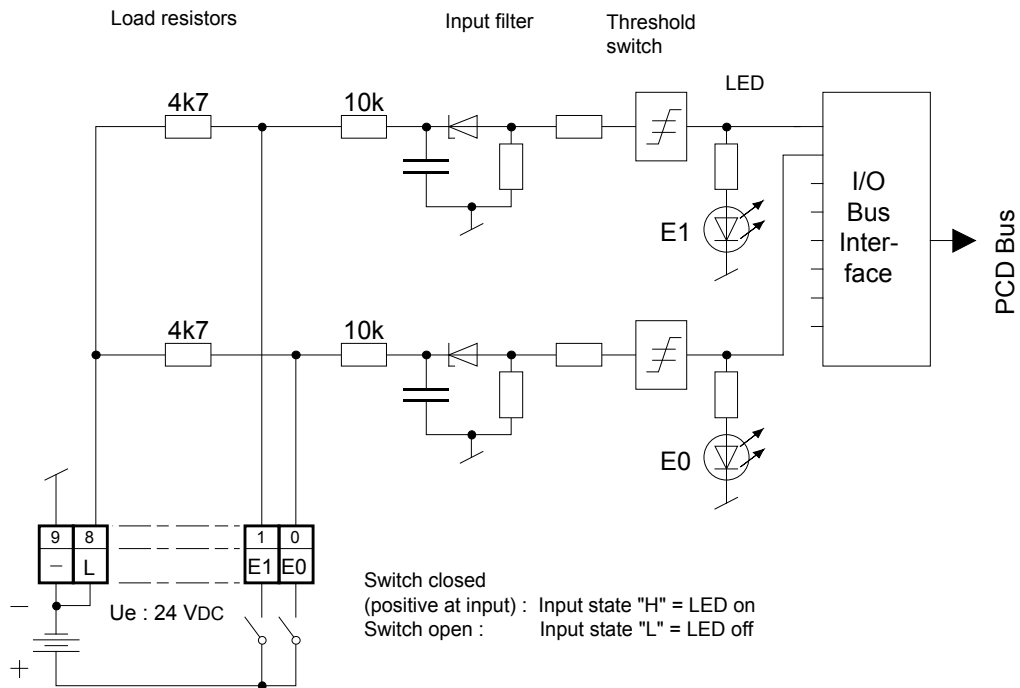


I/O modules and I/O terminal blocks may only be plugged in and removed when the Saia PCD® and the external +24 V are disconnected from the power supply.

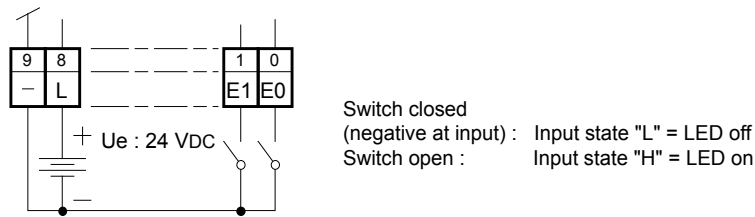


Information to connection cables can be found in the Manual on "System cables and connection system" 26-792_ENG.

Source operation (positive logic):



Sink operation (negative logic):



Ordering information

Type	Short description	Description	Weight
PCD2.E110	8 digital inputs, electrically connected, source or sink operation	Digital input module, 8 inputs, 24 VDC, source and sink operation, 8 ms input delay	35 g

Accessories

Type	Short description	Description	Weight
PCD2.K261/K263	Sheathed, round cable with 10 strands of 0.5 mm ² . length PCD2.K261 = 1,5 m length PCD2.K273 = 3 m	Plug-in system cable for digital modules with 4, 6 or 8 I/Os or relay interface PCD2.K55x. PCD side: 10-pole, plug-in screw terminal block Process side: strand ends free, numbered	140 / 260 g
PCD2.K271/K272	Sheathed, shielded cable with 10 strands of 0.25 mm ² . length PCD2.K271 = 1,5 m length PCD2.K273 = 3 m	Plug-in system cable for analogue I/O modules and ..H modules. Sheathed, screened, round cable; PCD side: 10-pole, plug-in screw terminal block P Process side: strand ends free, numbered	100 / 290 g

Saia-Burgess Controls AG

Bahnhofstrasse 18 | 3280 Murten, Switzerland
T +41 26 580 30 00 | F +41 26 580 34 99
www.saia-pcd.com

support@saia-pcd.com | www.sbc-support.com