



# MASTER LEDtube EM/ Mains

## MAS LEDtube 600mm 9W 865 T8 RS

The Philips MASTER LEDtube integrates a LED light source into a traditional fluorescent form factor. Its unique design creates a perfectly uniform visual appearance which cannot be distinguished from traditional fluorescent. For those that are looking for value for money within limited budget and re-lamping efforts for better light effect and lifetime.

### Product data

General Information	
Cap base	G13 [ Medium Bi-Pin Fluorescent]
Main application	Industrial
Nominal lifetime (nom.)	50000 h
Switching cycle	200000X
B50L70	50000 h
Light Technical	
Colour code	865 [ CCT of 6,500 K]
Beam Angle (Nom)	160 °
Luminous flux (nom.)	1050 lm
Luminous flux (rated) (nom.)	1050 lm
Rated beam angle	160 °
Correlated colour temperature (nom.)	6500 K
Luminous efficacy (rated) (nom.)	117 lm/W
Colour consistency	<6
Color rendering index (nom.)	83
LLMF at end of nominal lifetime (nom.)	70 %

Operating and Electrical	
Input frequency	50 to 60 Hz
Power (Rated) (Nom)	9 W
Lamp current (max.)	43 mA
Lamp current (min.)	36 mA
Starting time (nom.)	0.5 s
Warm-up time to 60% light (nom.)	0.1 s
Power factor (nom.)	0.9
Voltage (Nom)	220-240 V
Temperature	
T ambient (max.)	35 °C
T ambient (min.)	-20 °C
T storage (max.)	65 °C
T storage (min.)	-45 °C
T-Case maximum (nom.)	55 °C
Controls and Dimming	
Dimmable	No

# MASTER LEDtube EM/Mains

## Mechanical and Housing

Product length 600 mm

## Approval and Application

Energy efficiency label (EEL) A+  
 Energy-saving product Yes  
 Suitable for accent lighting No  
 Approval marks CE marking KEMA Keur certificate RoHS compliance  
 Energy Consumption kWh/1000 h 9 kWh

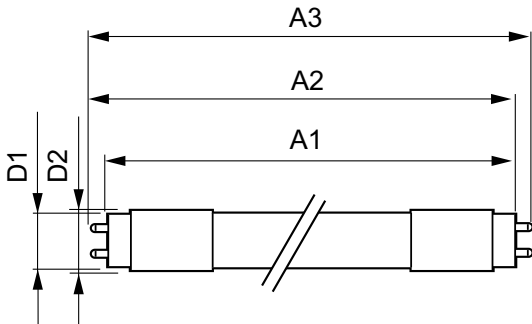
## Product Data

Full product code 871869646145700  
 Order product name MAS LEDtube 600mm 9W 865 T8 RS  
 EAN/UPC – product 8718696461457  
 Order code 46145700  
 Numerator – quantity per pack 1  
 Numerator – packs per outer box 10  
 Material no. (I2NC) 929001149602  
 Net weight (piece) 0.150 kg

## Warnings and Safety

· -

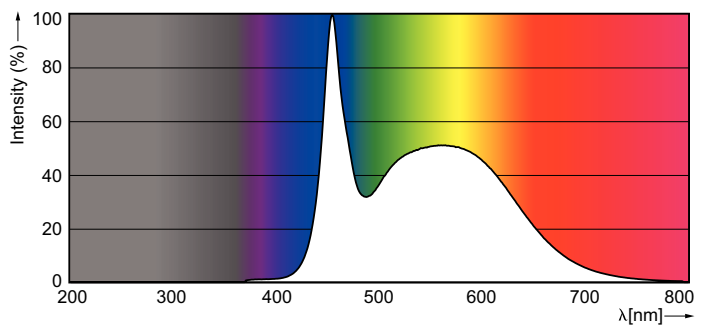
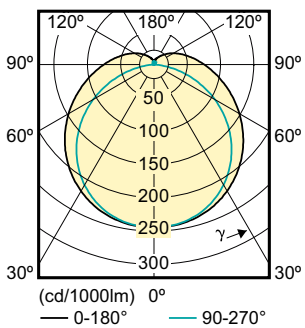
## Dimensional drawing



LEDtube VLE 600mm 10W/865 T8 ROT

Product	D1	D2	A1	A2	A3
MAS LEDtube 600mm 9W 865 T8 RS	25.7 mm	28 mm	588.5 mm	595.5 mm	602.5 mm

## Photometric data



## MASTER LEDtube EM/Mains

