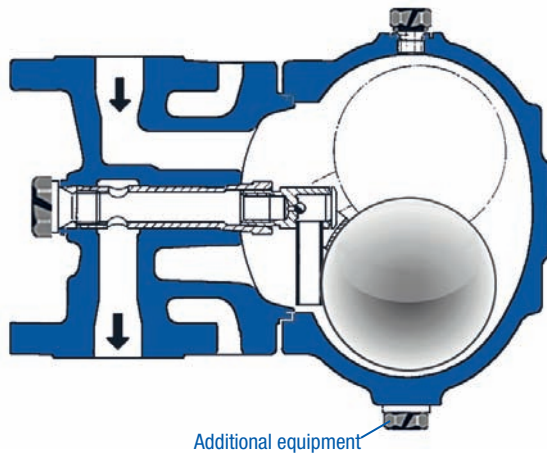




RIFOmat Float - Controlled Condensate Trap - Model Vario

1100

PN 25

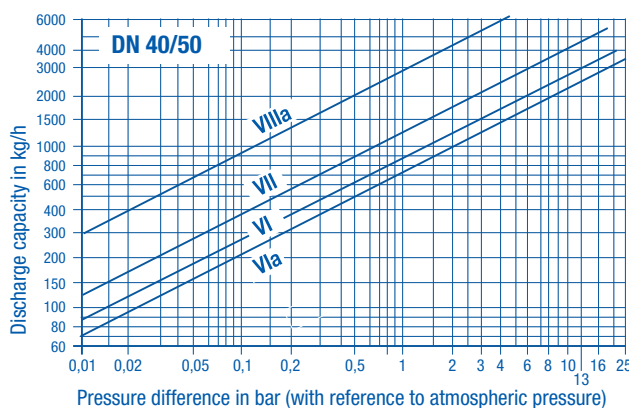
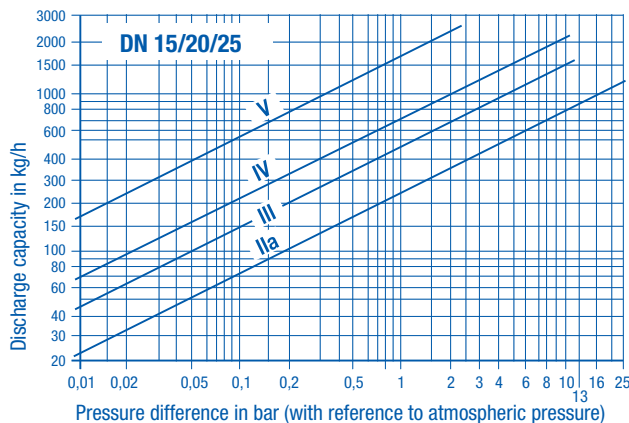


Additional equipment

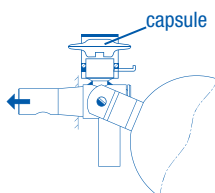
Flow Direction:



Discharge capacity:



For the cold condensate the discharge capacity is higher because of medium temperature and density.



RIFOkA-automatic venting (venting to interior):

For start-up and permanent venting with high venting capacity. An special liquid inside the membrane capsule evaporates and condenses only a few degrees below the boiling point of water.

Housing Material:

- EN-JS 1049

Nominal Diameter: DN15, DN20, DN25, DN40, DN50

Connections:

- Flange connecting dimensions DN15, 20, 25, 40, 50 acc. to DIN EN 1092-2, PN 25
- Flange ½" - 2" acc. to ANSI B 16.5, Class 150 / 300

Nominal pressure stage: PN 25

Operation Limits:

max. operating pressure (bar g)	25	23	20
max. operating temperature (°C)	-10/120	200	300

Media: Steam. Air and gases on request.

Function: Increasing level opens and decreasing level closes the outlet without delay, independent of pressure and temperature fluctuations. The rotary slide valve is both swivel joint and shut-off device.

Special characteristics: A float-controlled trap for all flow directions and face to face length acc. to DIN, short series. The RIFOmat-Vario will be assembled as specified by customer. A change of flow direction can be accomplished on site by merely rotating the housing flange and repositioning the float control unit.

Installation: Vertical or horizontal direction of flow (model WR, WL, SO, SU) as per illustrations.

As option at additional charge:

- RIFOkA start up and permanent venting to interior
- Gastight under-level control unit
- Vent jet (interior)
- Reflective water level sight glass (RWG) up to 243 °C
- Screw plug
- Blow off valve for contaminants instead drain plug
- Check valve in outlet flange
- Bottom control valve to check min. condensate level
- Top control valve instead control screw
- Float control assembly for special applications (gases)

Function Limits:

Cross section	max line pressure in bar g
IIa	25
III	12
IV	11
V	2,5
VI	20
VIa	25
VII	18
VIIIa	4,5

CE-Mark:

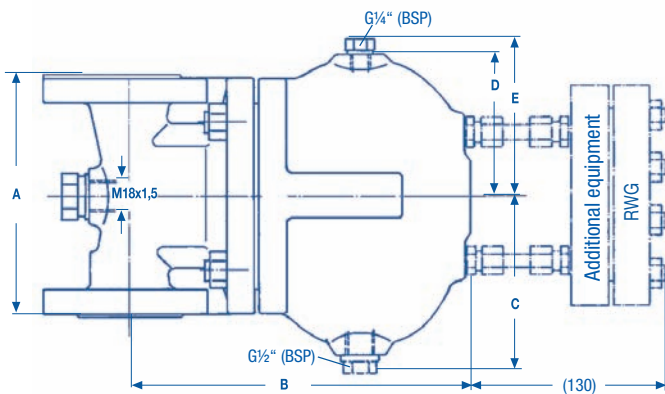
The pressure equipment described is a pressure-keeping component in accordance with the Pressure Equipment Directive 2014/68/EU.

DN15, DN20, DN25: acc. art. 4, sub. 3, no CE-mark.

DN40, DN50: Conformity verified through the mark: CE 0525.

Please state the following when making inquiries/placing orders:

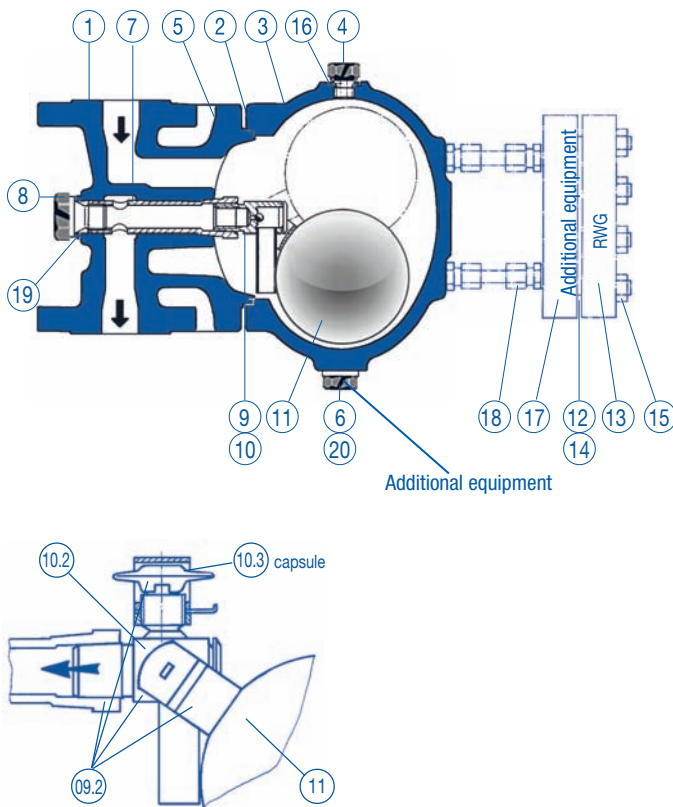
Medium, density, initial pressure, counter-pressure, temperature, quantity of condensation (kg/h).



Dimensions (in mm), Weights (in kg)

DN	15	20	25	40	50
A	150	150	160	230	230
B	225	225	225	300	300
C	115	115	115	150	150
D	95	95	95	135	135
E	105	105	105	150	150
Weights w/o RWG	13	13,5	14	34,5	35
Weights with RWG	14	14,5	15	36,5	37

Spare Parts



- 1 **Housing flange part:** EN-JS 1049
- 2 **Housing gasket:** Soft iron / Copper*
- 3 **Housing side part:** EN-JS 1049
- 4 **Control screw:** G $\frac{1}{4}$ " (BSP), SS 1.4104
- 5 **Housing screws:** 8.8 acc. DIN 939/934
- 6 **Screw plug:** G $\frac{1}{2}$ " (BSP), DIN 910 - 5.8
- 7 **Protective sleeve:** SS 1.4057
- 8 **Supporting screw:** SS 1.4104
- 9 **Float control assembly**:**
SS 1.4057 / 1.4112 / 1.4301 / 1.4104, or complete 1.4571*
- 9.2 **Complete Float Control with built-on membrane capsule venting device RIFOkA**:**
SS 1.4057 / 1.4112 / 1.4301 / 1.4104 / VA-Hastelloy
- 10 **Supporting body assembly with rotary valve and cotter pin**:**
SS 1.4057 / 1.4112 / 1.4301 / 1.4104, or complete 1.4571*
- 10.2 **Complete Supporting Structure incl. rotary slide valve, cotter pin and built-on RIFOkA-membrane capsule venting device**:**
SS 1.4057 / 1.4112 / 1.4301 / 1.4104
- 11 **Float with fork:** SS 1.4301 or 1.4571*
- 12 **Maxoglas:** as per DIN 7081
- 13 **RWG frame:** S 235 JR
- 14 **2 gaskets for RWG:** Soft material
- 15 **RWG Screws:** A4-70, DIN 938/934
- 16 **Gasket:** Soft iron
- 17 **Frame:** S 235 JR
- 18 **Cutting ring threaded joint:** C-Steel
- 19 **Gasket:** Soft iron
- 20 **Gasket:** Soft iron

To ensure correct part delivery, please specify the works standard sheet number 1100, connection size, part number for spare part orders, cross-section for control unit spare part orders, which is to find at the control unit.

* Depending on operating conditions.

** Single parts for the subassemblies cannot be supplied because of the requirements to tightness.