

Features

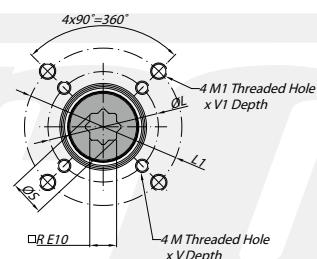
Mounting of solenoid valves	Namur Std.
Mounting of devices	NAMUR VDI/VDE 3845 Std.
Coupling according to	ISO 5211 and DIN 3337
Marking	Ex II 2 GDc LCIE 05 AR 022
Certificates	ISO 9001 / SIL 3

Materials

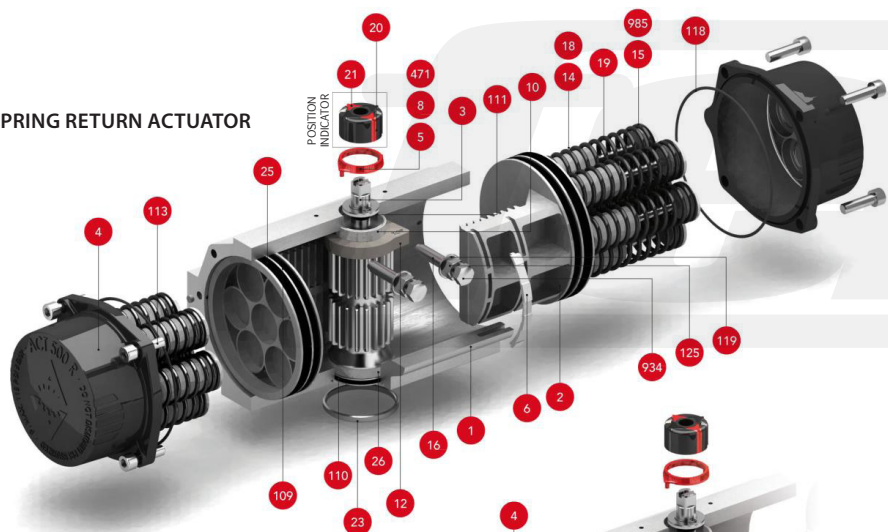
1	Body	Aluminium hard anodized
2	Piston	Aluminium
3	Pinion	Nickel plated carbon steel
4	End caps	Aluminium epoxy coated
5	Soft piston washer	Polyamide PA 6,6
6	Slide piston	Polyamide PA 6,6 + 30% G.F.
8	Pinion washer	Stainless steel
10	Upper pinion bearing	Polyamide PA 6,6
12	Stop	ASTM A 105
14	(*) Springs long support	Polyamide PA 6,6
15	(*) Springs short support	Polyamide PA 6,6
16	Leveling screw	Stainless steel
18	(*) Bolt	Stainless steel
19	(*) Spring	DIN 2076 - D-5,6
20	Position indicator	Polyamide
21	Cam	Polyamide
23	Centering ring	Nickel plated carbon steel
24	Plug air stop	NBR
25	Slide guide	Polyamide PA 6,6 + 30% G.F.
26	Lower pinion bearing	Polyamide PA 6,6
109	O-ring	NBR
110	O-ring	NBR
111	O-ring	NBR
113	Bolt	Stainless steel
118	O-ring	NBR
119	O-ring	NBR
125	Washer	Stainless steel
913	Set screw	Stainless steel
471	External circlip	Stainless steel
934	Nut	Stainless steel
985	(*) Nut	Stainless steel

(*) Only for series SR

ISO 5211 DETAIL



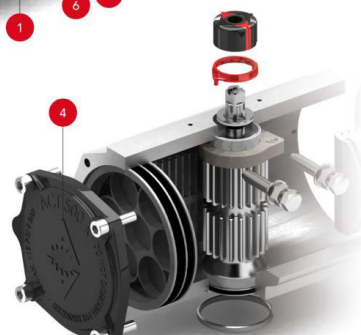
SPRING RETURN ACTUATOR



POSITION INDICATOR



DOUBLE ACTING ACTUATOR



Dimensions [mm]

A	A'	B	C	D	E	F	I	R	ØS	ISO 5211	ØL	MxV	ISO 5211	ØL1	M1xV1	ØT	X	U
299	225	165	135,5	78	70	12	12,5	17	22,5	F07	70	M8x16	F10	102	M10x16	55	3	23

Max. pressure	Rotation	Screw stroke adjustment	Chamber Ø (mm)	Air volume (L)		Stroke Time, Sec. (A)		Operating Temperature (°C)		
				Opening	Closing	Opening	Closing	STD (std.)	HT (high temp.)	LT (low temp.)
8 bar	90° ± 5°	for 1° need 1/4 turn	104,6	1,19	1,2	D 0,15	D 0,22	NBR O-ring	FPM O-ring	Silicone O-ring
						S 0,50	S 0,60	-30°...+100°C	-15°...+150°C	-40°...+80°C

DA double acting actuator torque output in [Nm]

Type	3 bar		3,5 bar		4 bar		4,5 bar		5 bar		5,5 bar		6 bar		6,5 bar		7 bar		8 bar		Weight [kg]
	0°	90°	0°	90°	0°	90°	0°	90°	0°	90°	0°	90°	0°	90°	0°	90°	0°	90°	0°	90°	
D	88		102		117		131		146		161		175		190		205		234		5,6

SR spring return actuator torque output in [Nm]

Type	3 bar		3,5 bar		4 bar		4,5 bar		5 bar		5,5 bar		6 bar		6,5 bar		7 bar		8 bar		Spring stroke	Weight [kg]	
	0°	90°	0°	90°	0°	90°	0°	90°	0°	90°	0°	90°	0°	90°	0°	90°	0°	90°	0°	90°			End
S06	61	49	76	63	90	78	105	92	119	107	134	122	149	136	163	151	178	166	207	195	31	46	6,5
S08			67	50	81	65	96	79	111	94	125	109	140	123	154	138	169	152	198	182	42	61	6,7
S10					72	52	87	66	102	81	116	96	131	110	146	125	160	139	189	169	52	77	6,9
S12						78	53	93	68	107	83	122	97	137	112	151	126	180	156	63	92	7,0	
S14**										99	70	113	84	128	99	142	113	172	143	73	107	7,3	

** Standard construction