



SOUTHERN CALIFORNIA HYDRAULIC ENGINEERING CORPORATION

Designer and Manufacturer of Hydraulic & Pneumatic Equipment

1130 COLUMBIA STREET, BREA, CALIFORNIA 92821

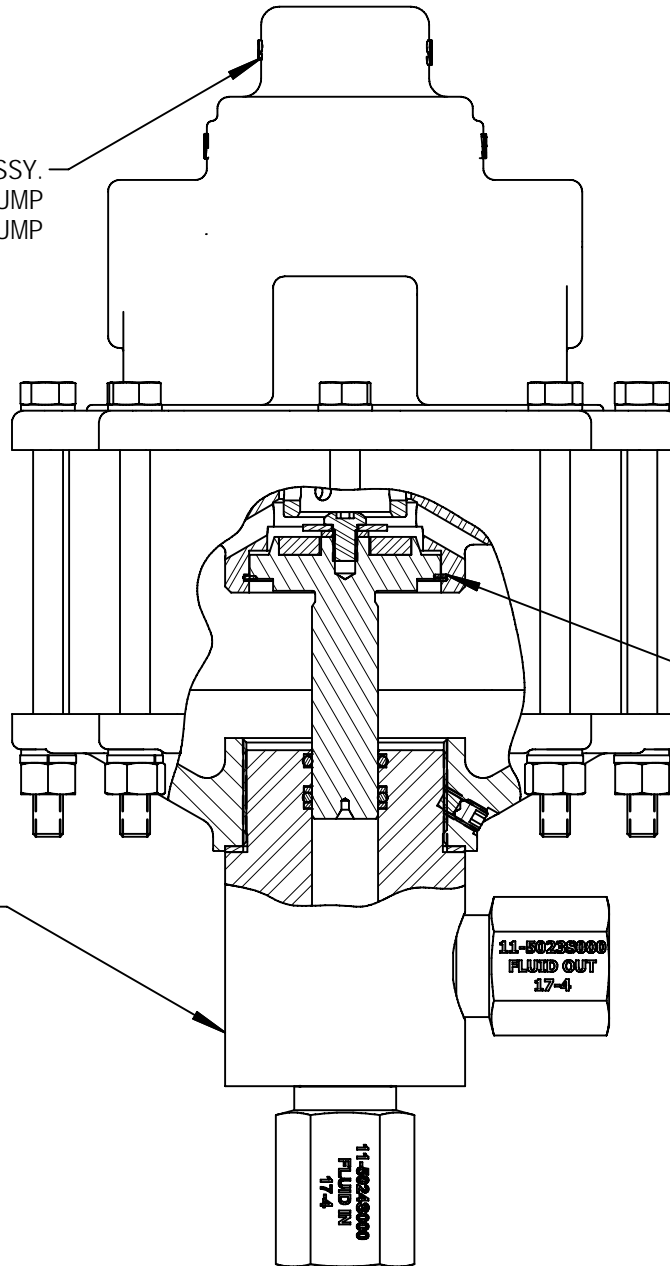
NONE LUBRICATED PUMP ASSY 10-500EW015 THRU W060

LUBRICATED PUMP ASSY 10-500EW015L THRU W060L

(NOTES: P/N 10-500EW015 THRU W060 WAS D500EB25 THRU B105)

DATE: 10-29-12
REV: NC

AIR MOTOR ASSY.
11-5113ADL0 FOR NONE LUBE PUMP
11-5113A000 FOR LUBE PUMP



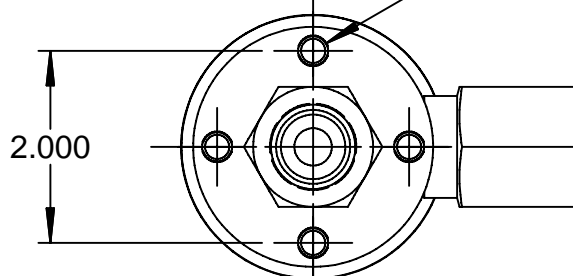
RETAINING RING
12-R200S000 (REF)

HYDRAULIC ASSY
11-5042W015A
11-5042W018A
11-5042W020A
11-5042W030A
11-5042W040A
11-5042W045A
11-5042W060A

11-5029S000
FLUID OUT
17-4

11-4024S000
FLUID IN
17-4

5/16-18 UNC - 2B ∇ .500

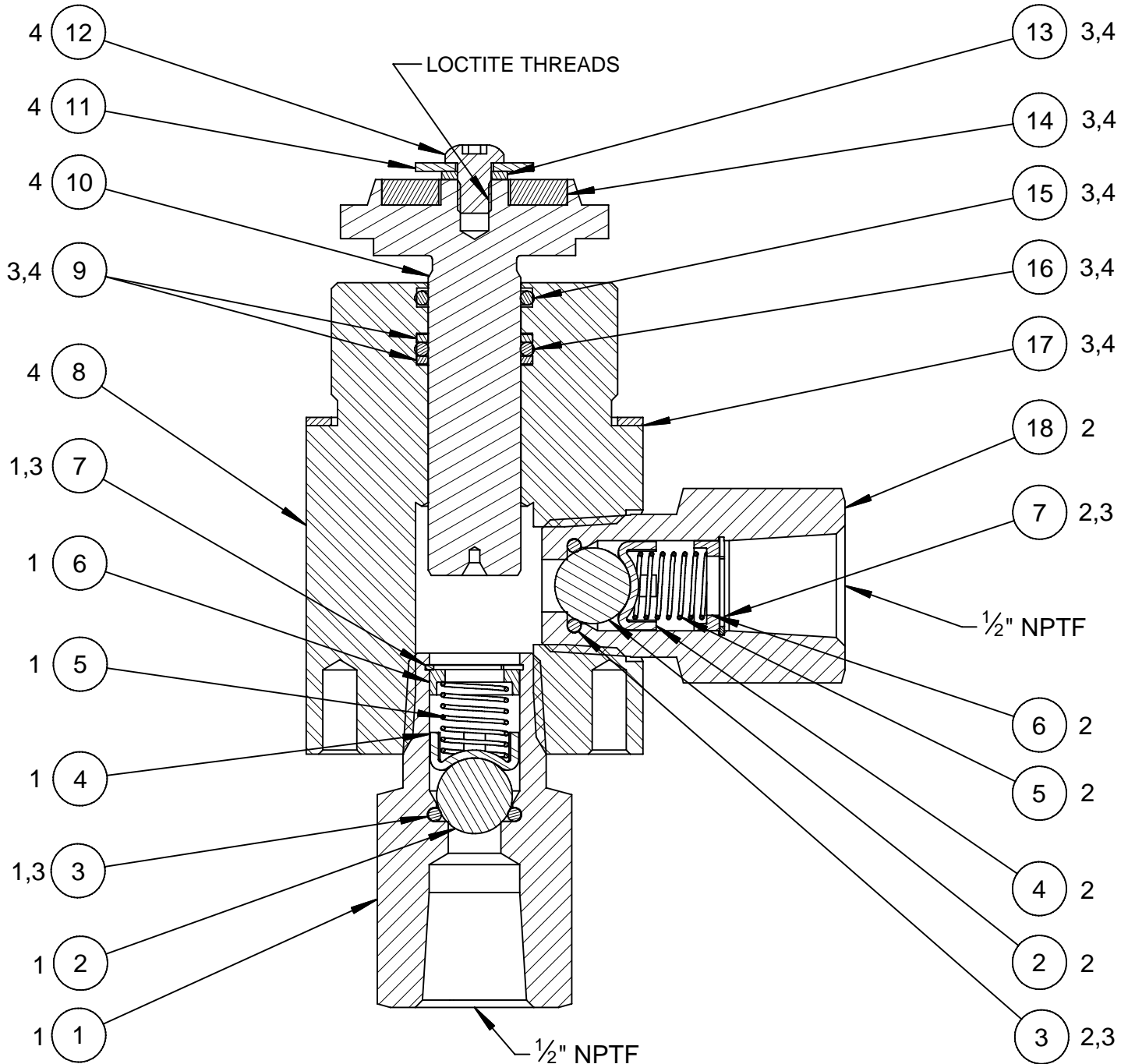


2.000

MOUNTING DIMENSIONS



HYDRAULIC ASSEMBLY 11-5042W015A THRU W060A



- 4. INCLUDED IN 11-5041WXXXA* PISTON & CYLINDER ASSEMBLY.
- 3. INCLUDED IN 11-5148NXXXA* HYDRAULIC REPAIR KIT.
- 2. INCLUDED IN 11-5023S000 OUTLET CHECK VALVE ASSEMBLY.
- 1. INCLUDED IN 11-5024S000 INLET CHECK VALVE ASSY.

* XXX REPRESENTS PUMP ASSY MODEL NO.

NOTES: UNLESS OTHERWISE SPECIFIED:



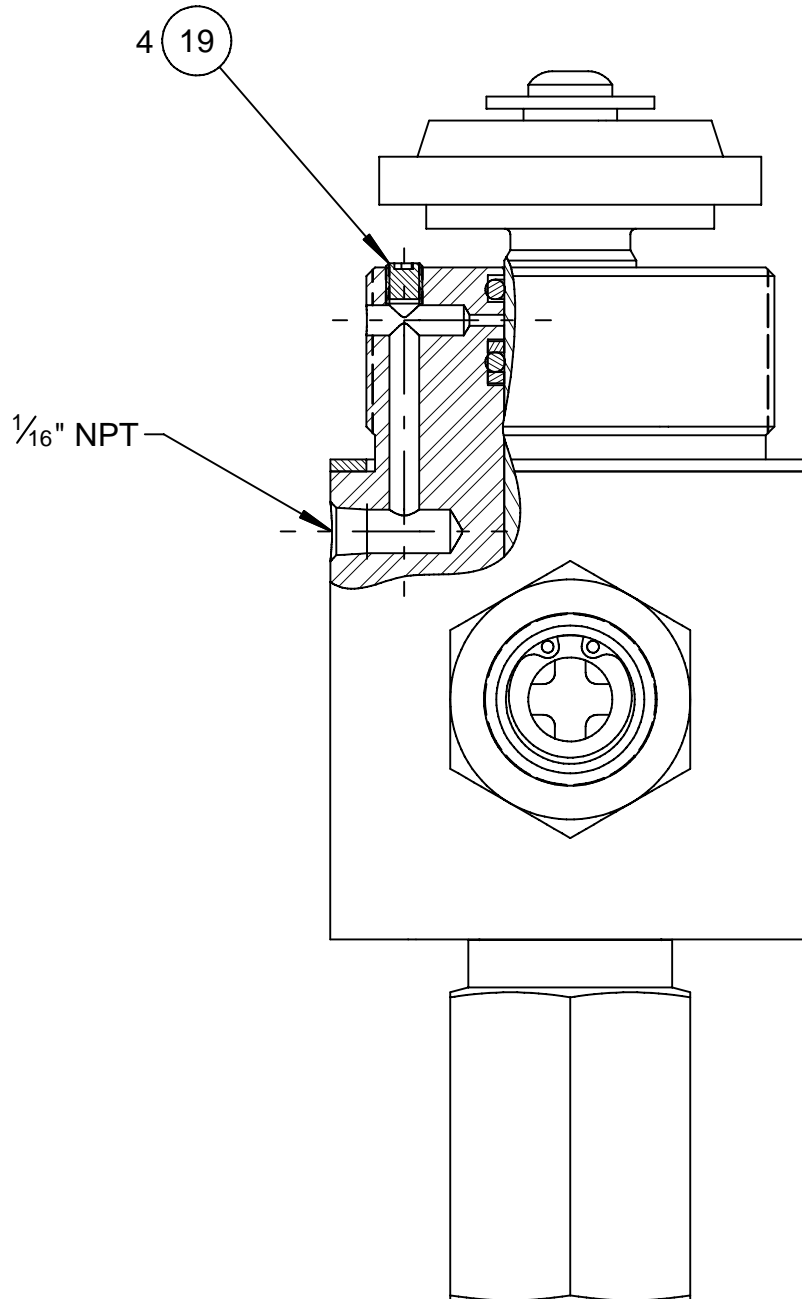
SOUTHERN CALIFORNIA HYDRAULIC ENGINEERING CORPORATION

Designer and Manufactures of Hydraulic & Pneumatic Equipment

1130 COLUMBIA STREET, BREA, CALIFORNIA 92821

DATE: 6-4-2011
REV: NC

HYDRAULIC ASSEMBLY 11-5042W015A THRU W060A



SIDE VIEW
(FOR BLEED HOLE)



SOUTHERN CALIFORNIA HYDRAULIC ENGINEERING CORPORATION

Designer and Manufactures of Hydraulic & Pneumatic Equipment

1130 COLUMBIA STREET, BREA, CALIFORNIA 92821

BILL OF MATERIALS

DRAWING NUMBER & DESCRIPTION: 10-450-042A; 11-5042W015A THRU W060A HYDRAULIC ASSEMBLY
REVISION: NC, 6-4-2011

ITEM	QTY	PART NUMBER	DESCRIPTION	W015A	W018A	W020A	W030A	W040A	W045A	W060A	REF.NO.
1	1	11-5019S000	FITTING-INLET	X	X	X	X	X	X	X	10-450-19
2	2	12-0440S562	CHECK BALL	X	X	X	X	X	X	X	
3	2	P11003-112	O-RING, BUNA	X	X	X	X	X	X	X	
4	2	11-5034S002	BALL GUIDE	X	X	X	X	X	X	X	10-450-34-2
5	2	11-5013S000	SPRING	X	X	X	X	X	X	X	10-450-13
6	2	11-5017S000	SPRING GUIDE	X	X	X	X	X	X	X	10-450-17
7	2	P10202-068	RETAINING RING	X	X	X	X	X	X	X	
8	1	11-5036B015A	HYDRAULIC CYLINDER	X							10-450-36-1.5A
8	1	11-5036B018A	HYDRAULIC CYLINDER		X						10-450-36-1.75A
8	1	11-5036B020A	HYDRAULIC CYLINDER			X					10-450-36-2A
8	1	11-5036B030A	HYDRAULIC CYLINDER				X				10-450-36-3A
8	1	11-5036B040A	HYDRAULIC CYLINDER					X			10-450-36-4A
8	1	11-5036B045A	HYDRAULIC CYLINDER						X		10-450-36-4.5A
8	1	11-5036B060A	HYDRAULIC CYLINDER							X	10-450-36-6A
9	2	P11227-112	BACK UP NYLON							X	
9	2	P11227-113	BACK UP NYLON						X		
9	2	P11227-114	BACK UP NYLON					X			
9	2	P11227-115	BACK UP NYLON				X				
9	2	P11227-212	BACK UP NYLON			X					
9	2	P11227-213	BACK UP NYLON		X						
9	2	P11227-214	BACK UP NYLON	X							
10	1	11-5010S015	PISTON, HYDRAULIC	X							10-450-10-1.5
10	1	11-5010S018	PISTON, HYDRAULIC		X						10-450-10-1.75
10	1	11-5010S020	PISTON, HYDRAULIC			X					10-450-10-2
10	1	11-5010S030	PISTON, HYDRAULIC				X				10-450-10-3
10	1	11-5010S040	PISTON, HYDRAULIC					X			10-450-10-4
10	1	11-5010S045	PISTON, HYDRAULIC						X		10-450-10-4.5
10	1	11-5010S060	PISTON, HYDRAULIC							X	10-450-10-6
11	1	12-25N87WF1Z	FENDER WASHER	X	X	X	X	X	X	X	
12	1	12-25F37SBC45Z	BUTT.HD. CAP SCREW	X	X	X	X	X	X	X	
13	1	P10212-025	WASHER-LOCK	X	X	X	X	X	X	X	
14	1	11-5051P000	PISTON BUMBER	X	X	X	X	X	X	X	10-450-51
15	1	P11015-112	O-RING							X	
15	1	P11015-113	O-RING						X		
15	1	P11015-114	O-RING					X			
15	1	P11015-115	O-RING				X				
15	1	P11015-212	O-RING			X					
15	1	P11015-213	O-RING		X						
15	1	P11015-214	O-RING	X							
16	1	P11000-112	O-RING, BUNA							X	
16	1	P11000-113	O-RING, BUNA						X		
16	1	P11000-114	O-RING, BUNA					X			
16	1	P11000-115	O-RING, BUNA				X				
16	1	P11000-212	O-RING, BUNA			X					
16	1	P11000-213	O-RING, BUNA		X						
16	1	P11000-214	O-RING, BUNA	X							
17	1	11-5028N000	GASKET	X	X	X	X	X	X	X	10-450-28
18	1	11-5020S000	FITTING - OUTLET	X	X	X	X	X	X	X	10-450-20
19	1	P10226-019	SET SCREW	X	X	X	X	X	X	X	

WHERE USED: 10-500EW015-W060 / W015L-W060L
D500EB25-B105