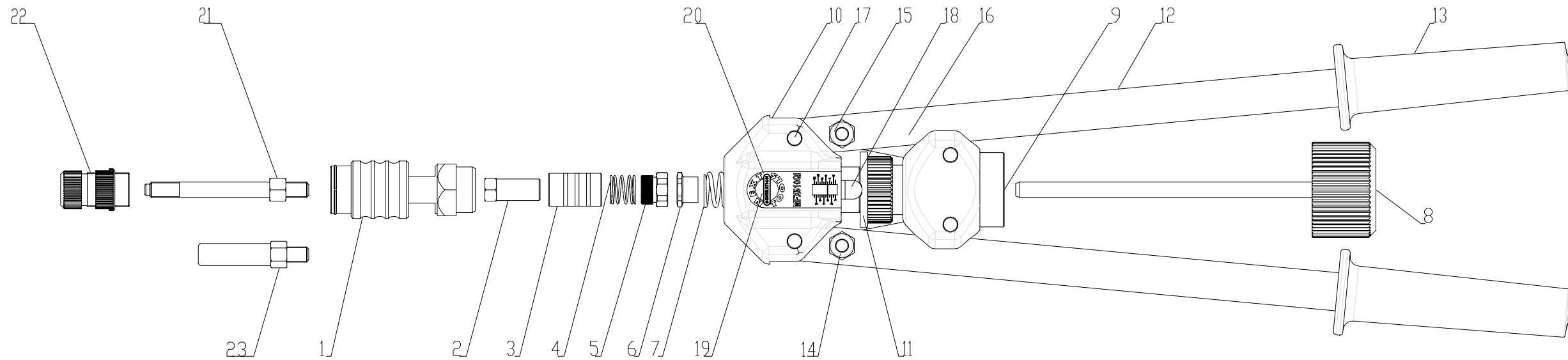


# MFX510



23	RIVBOLTPULLER M8	900A00013	-	1
23	RIVBOLTPULLER M6	900A00012	-	1
23	RIVBOLTPULLER M5	900A00011	-	1
22	ANVIL + COUNTERNUT M10	900A00032	-	1
22	ANVIL + COUNTERNUT M8	900A00031	-	1
22	ANVIL + COUNTERNUT M6	900A00030	-	1
22	ANVIL + COUNTERNUT M5	900A00029	-	1
21	MANDREL M10	900A00010	-	1
21	MANDREL M8	900A00009	-	1
21	MANDREL M6	900A00008	-	1
21	MANDREL M5	900A00007	-	1
20	SIGN INDICATOR NEXT GENERATION	900P00124	-	1
19	SPRING 4,5x0,5 L40	900S00005	-	1
18	STROKE INDICATOR	900P00066	-	1
17	PIVOT PIN	900P00006	-	4
16	BRACKET (SET 3 PCS)	900A00003	-	2
15	M8 LOCKNUT	900S00001	-	4
14	LEVER BOLT	900P00007	-	2
13	GRIPS	900P00025	-	2
12	LEFT LEVER	900P00014	-	2
11	STROKE ADJUSTER	900P00067	-	1
10	FRONT BODY	900A00015	-	1
9	REAR BODY	900A00036	-	1
8	SPINDLE COMBINATION	900A00037	-	1
7	RETURN SPRING 18,6x2,0 L23,5	900S00006	-	1
6	PUSH NUT	900P00062	-	1
5	COUNTERNUT	900P00081	-	1
4	SPRING 14,9x1,0 L15,5	900S00007	-	1
3	SOCKET JOINT	900P00257	-	1
2	CONNECTING NUT MANDREL	900P00060	-	1
1	FRONT SLEEVE COMPLETE	900A00022	-	1
POS.	DESCRIPTION	ITEM No	CUST No.	QTY
<b>T00004-000</b>		All rights reserved. Date: 08-04-2009		
43210510	MFX510	-		