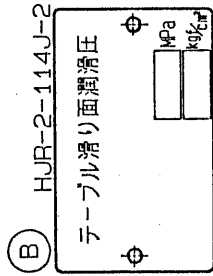
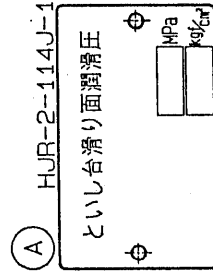
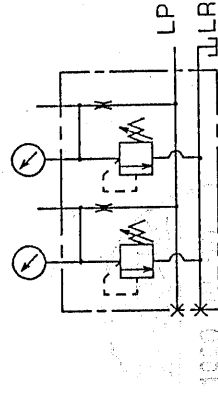


# 設計図

使用する圧力計形式	a: GV50-323-0.6MK-TM b: GV50-323-0.2MK-TM
使用するバルブの基本形式	HJR-121T

豊田工機 機 殿 機 番	20-12901817-0
圧力調整範囲	0.02 ~ 0.4 MPa
最大流量	5 L/min
記 号	

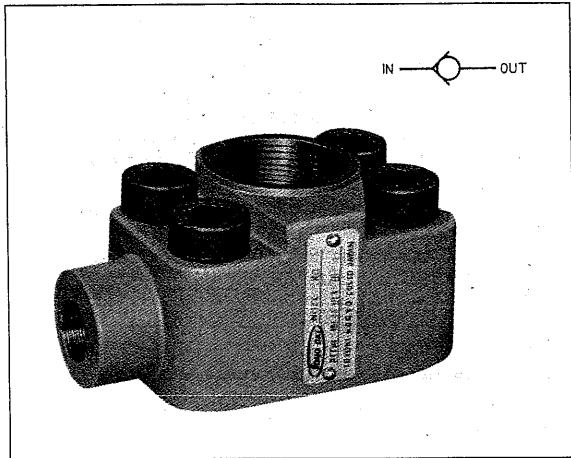


△	符 号	内 容	日 付	設 計 番 号	変 更 者
△	MARK	DESCRIPTION	DATE	REV. NO.	CHECKED

変 更 REVISIONS

新入先 CUSTOMER	機 殿
Messrs.	客先機番 CUSTOMER'S. RC-7932
名称 NAME/形式 MODEL NO.	機番 SERIAL NO.
潤滑用リリーバルブ	用途 USE
HJR-121T-114J	
承認 APPROVED 99.10.19	検図 CHECKED 99.10.19
株 豊興工業株式会社	製図 DRAWN 大矢
TOYOOKI KOGYO CO., LTD.	内容 CONTENTS 断面図

# PUMP PORT MOUNTING CHECK VALVE (HK3-EFT005-\*)



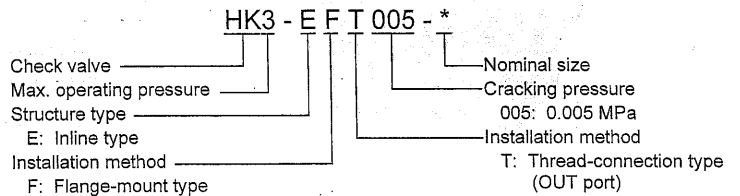
This type of check valve consists of a check valve that prevents reversal of the piston pump operating direction and a pump out side flange assembled in one unit, aiming at a reduction in piping work hours and saving of installation space.

## ⚠ Cautions on Use

Please read the Instruction Manual carefully to ensure correct usage.

- Finish the mounting faces to the same quality as the valve faces (3.2 μmRz).

## MODEL DESIGNATION

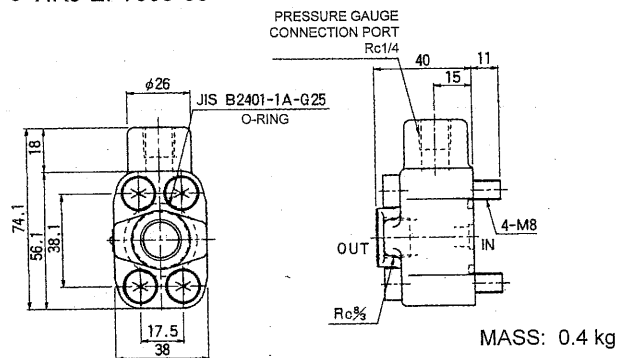


## SPECIFICATIONS

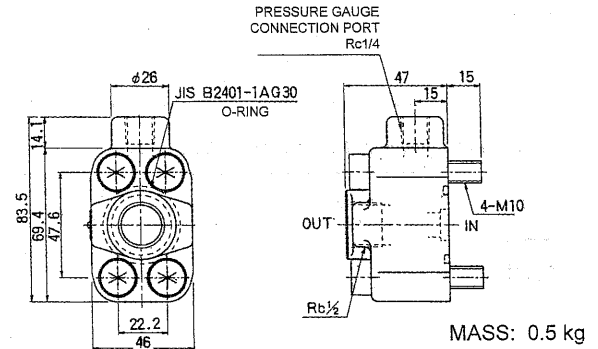
Nominal Size	Max. Operating Pressure (MPa)	Rated Flow (L/min)	Cracking Pressure (MPa)	Model	Applicable Pump
03	21	14	0.005	HK3-EFT005-03	Type HPP-VB2V
04		26		HK3-EFT005-04	Type HPP-VC2V
06		56		HK3-EFT005-06	Type HPP-VD2V
10		114		HK3-EFT005-10	Type HPP-VF2V

## EXTERNAL DIMENSION

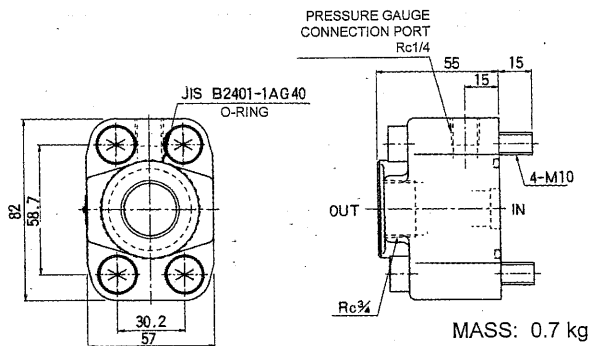
### ● HK3-EFT005-03



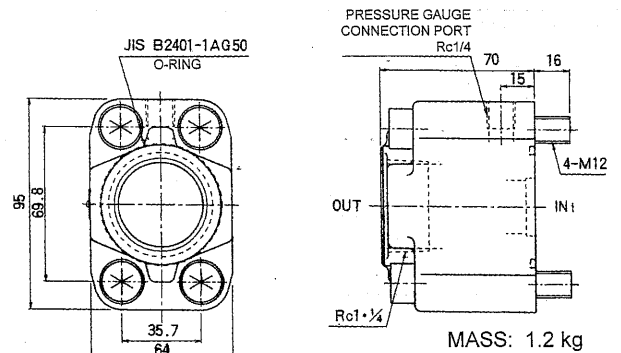
### ● HK3-EFT005-04



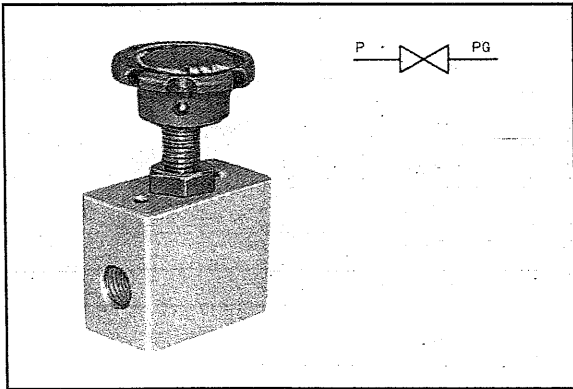
### ● HK3-EFT005-06



### ● HK3-EFT005-10



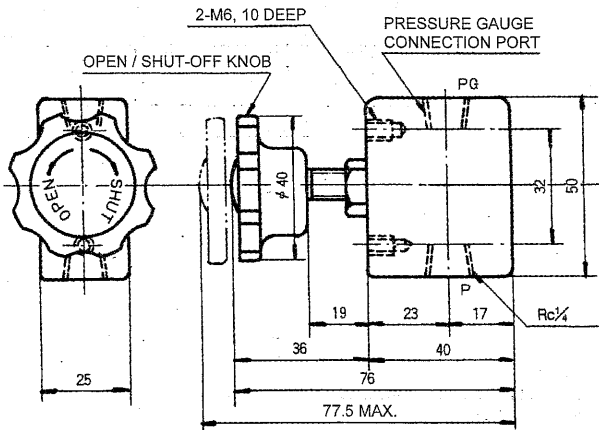
## STOP VALVE FOR PRESSURE GAUGE (PG) (TYPE S AND SA)



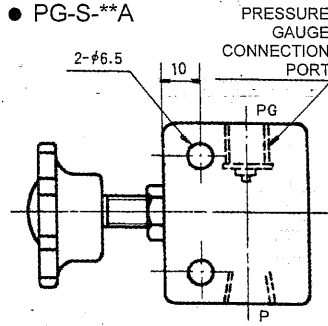
The stop valve allows through or shuts off the hydraulic fluid flow to the pressure gauge.

Nominal Size	02	
Type	For Rc thread	For G thread
Model	PG-SA-02	PG-S-02A
Connecting Pipe Diameter	PG	Rc <sup>1</sup> / <sub>4</sub>
Connecting Pipe Diameter	P	Rc <sup>1</sup> / <sub>4</sub>
Max. Operating Pressure	MPa	21

### ● PG-SA-\*\*

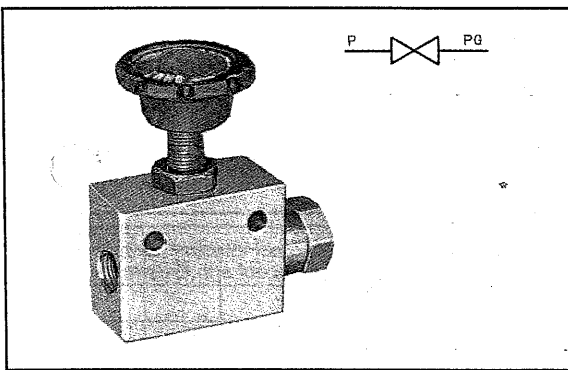


### ● PG-S-\*\*A



MASS: 0.4 kg

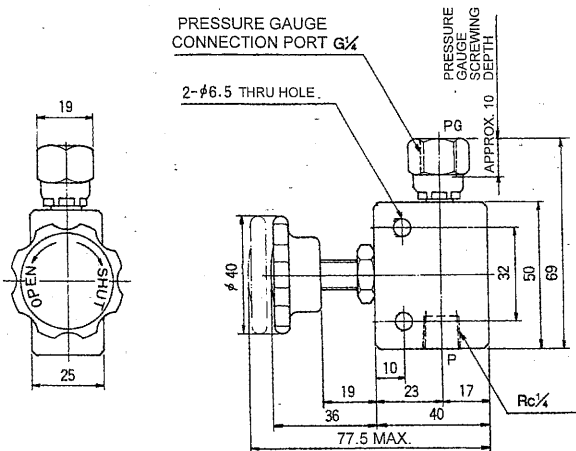
## STOP VALVE FOR PRESSURE GAUGE (PG) (TYPE SB)



The SB type stop valve for the pressure gauge has a joint so that the gauge indicator face can be set in the desired direction.

Nominal Size	02	
Type	For G thread	
Model	PG-SB-02	
Connecting Pipe Diameter	PG	G <sup>1</sup> / <sub>4</sub>
Connecting Pipe Diameter	P	Rc <sup>1</sup> / <sub>4</sub>
Max. Operating Pressure	MPa	21

### ● PG-SB-02



MASS: 0.4 kg