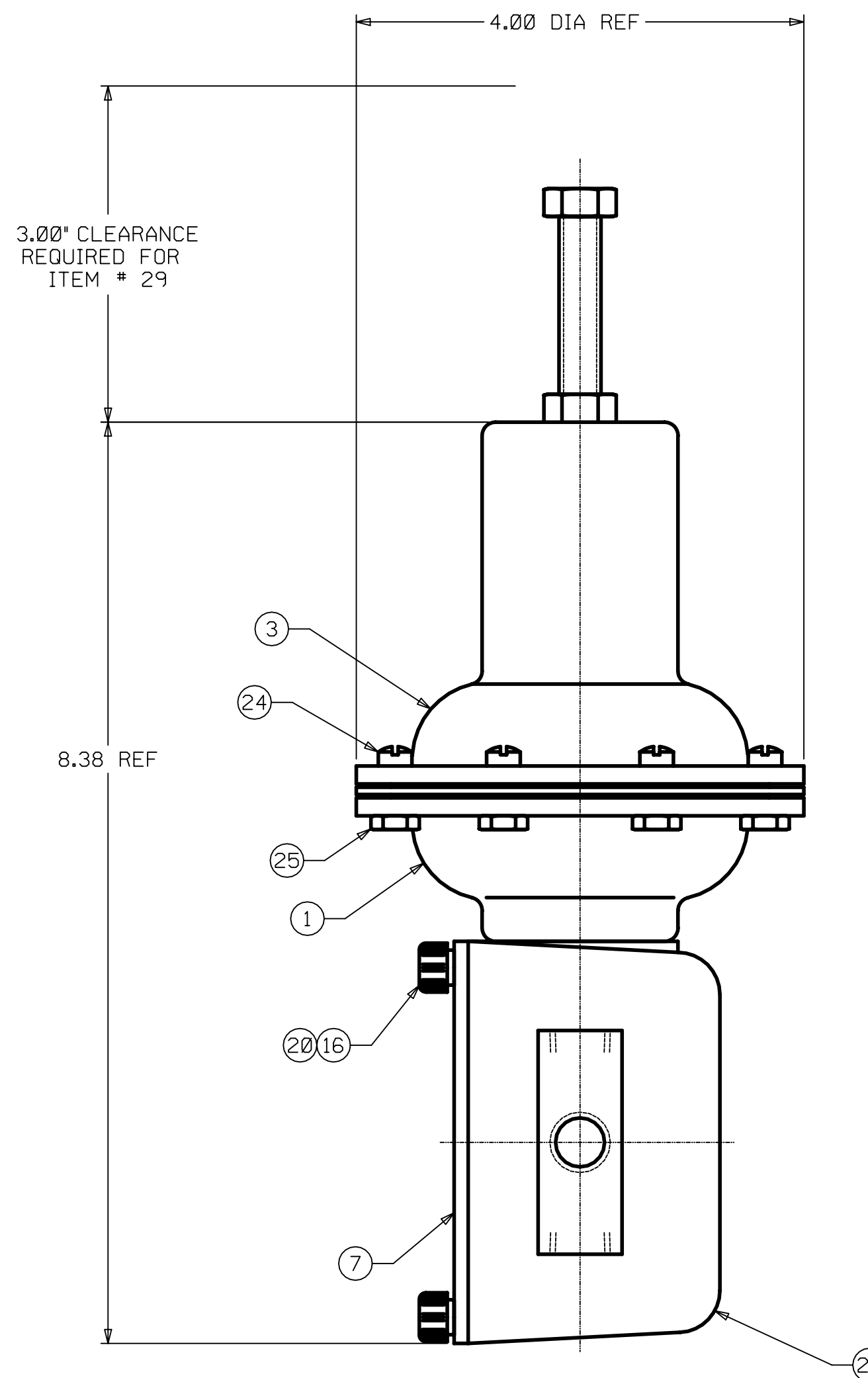
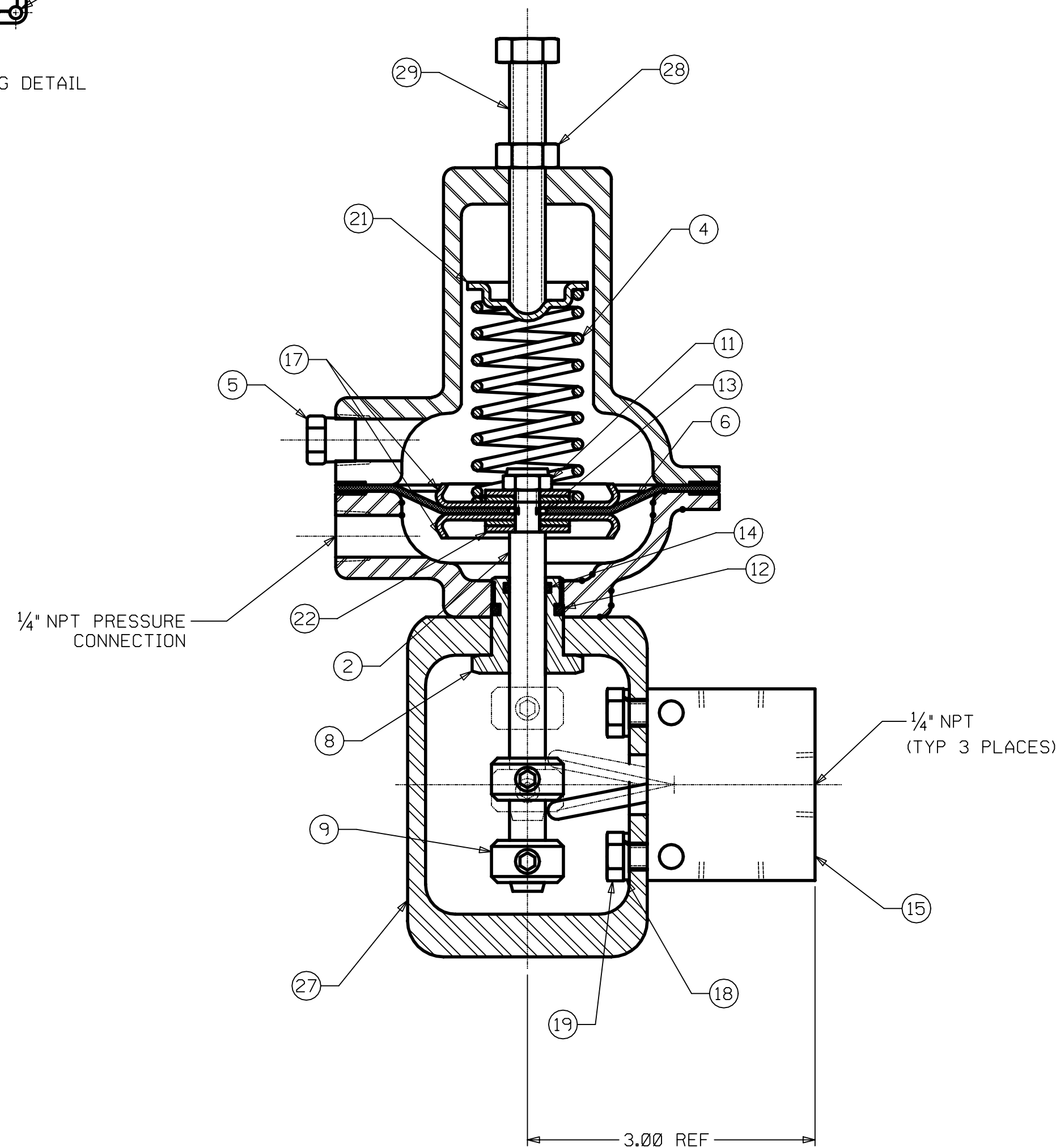


NAMEPLATE STAMPING DETAIL



MAKES PART NUMBER 80000911

ITEM	REQD	PART NUMBER	DESCRIPTION	DRAWING NUMBER
29	1	65003335	SCREW: 3/8-16 X 2 1/2 SQHSS	NO-DWG
28	1	65011037	NUT: 3/8-16 HEXJAM 18-8 SST	NO-DWG
27	1	45009842	CASE: DM/CADM-2501-B	C-21806
26	1	45012812	CAUTION TAG: (NOT SHOWN)	D-17988
25	8	65011075	NUT: 10-32 FHN ACF 18-8 SS	NO-DWG
24	8	65011407	SCREW: 10-32 X 5/8 18-8 SS	NO-DWG
23	4	65007005	SCREW: 2-PK-1/8	NO-DWG
22	4	45003186	WASHER:	D-4783
21	1	45003181	UPPER SPRING REST: DSG-2501B	D-4777
20	2	67102309	O-RING: 5/8 ID X 1/8 BUN-007-90	NO-DWG
19	2	65011172	SCREW: 10-32 X 1/2 HHCS 18-8	NO-DWG
18	2	65007700	WASHER: #10 SPG LOCK 316 SST	NO-DWG
17	2	45003159	DIAPHRAGM PLATE:	D-4744
16	2	45002307	COVER SCREW:	D-3783
15	1	87000212	MICROVALVE: 316F1B STANDARD	DU500002571
14	1	67102312	O-RING: 3/8 ID X 1/8 BUN-012-90	NO-DWG
13	1	67102310	O-RING: 3/8 ID X 1/8 BUN-008-90	NO-DWG
12	1	67101636	O-RING: 3/8 ID X 3/8 BUN-113-90	NO-DWG
11	1	65003530	NUT: 1/4-28NF THIN	NO-DWG
10	1	45300000	NAMEPLATE:	D-NP0000
9	2	45002191	COLLAR:	D-3630
8	1	45005597	BUSHING:	D-8007
7	1	45004876	COVER:	D-6996
6	1	45003158	DIAPHRAGM:	D-4743
5	1	45002612	BLEEDER FILTER: 1/4 NPT	600005013167
4	1	45005436	SPRING: 40-60#	D-7586
3	1	45002455	DIAPHRAGM CASE: UPPER	C-2120
2	1	45002183	STEM:	D-3601
1	1	45002157	CASE: LOWER	D-3568

NOTES:
1 ASSEMBLE AND TEST PER ENGR SPEC AS-65

This drawing is the property of FMC Technologies, and may not be used, reproduced, published, or disclosed to others, without express authorization of FMC Technologies.

FMC Technologies

Unless Otherwise Specified:
Remove all burrs & sharp corners .015 R.
All diameters concentric within .008 T.I.R.

Angles: ±1/2°
X ±.015
XXX ±.005
Finish 125 RMS

All dimensions are in inches.

PRESSURE SWITCH
MODEL CADM-2501B1, 40-60 PSIG
SPRING RETURN, MICRO VALVE
316F1B-221A W/1/16 INCH ORIFICE

B	EXCHANGE SCREWS	08/24/04	OJA	04-11-05	RELEASED FOR PRODUCTION	DRAWN	ECH	11-07-05	SCALE:	NONE	
A	NEW ISSUE	11	ECH	11-07-05	ECN	DATE	CDK	OJA	11-08-05	SIZE	DRAWING NO.
REV	WAS	ECN	BY	DATE	5012212	11-10-05	APPD.	SAD	11-10-05	D	DM500001280

B	EXCHANGE SCREWS	08/24/04	OJA	04-11-05	RELEASED FOR PRODUCTION	DRAWN	ECH	11-07-05	SCALE:	NONE	
A	NEW ISSUE	11	ECH	11-07-05	ECN	DATE	CDK	OJA	11-08-05	SIZE	DRAWING NO.
REV	WAS	ECN	BY	DATE	5012212	11-10-05	APPD.	SAD	11-10-05	D	DM500001280

DM500001280
COPYRIGHT FMC TECHNOLOGIES