


REV. DATE	DESCRIPTION	MESSRS		
		<p style="text-align: center;">GROUND MONITOR – INSULATION RESISTANCE MONITOR – ■ SBAG-102M / 202M / 402M</p> <p style="text-align: right;">4 sheets with cover</p>		
		<p style="text-align: center;"> LUXCO CO., LTD. 980-17, Jangrim-dong, Saha-gu, Busan, 604-040, Korea TEL : +82-51-262-8588 FAX : +82-51-262-8538 http://www.luxco.co.kr</p>		
		<table border="1" style="width: 100%;"> <tr> <td style="width: 50%;">CLASS</td> <td></td> </tr> </table>	CLASS	
CLASS				
		<table border="1" style="width: 100%;"> <tr> <td style="width: 50%;">APPROVED BY</td> <td>C. G. CHOI</td> </tr> </table>	APPROVED BY	C. G. CHOI
APPROVED BY	C. G. CHOI			
		<table border="1" style="width: 100%;"> <tr> <td style="width: 50%;">CHECKED BY</td> <td>C. G. YI</td> </tr> </table>	CHECKED BY	C. G. YI
CHECKED BY	C. G. YI			
		<table border="1" style="width: 100%;"> <tr> <td style="width: 50%;">DESIGNED BY</td> <td>M. R. JANG</td> </tr> </table>	DESIGNED BY	M. R. JANG
DESIGNED BY	M. R. JANG			
		<table border="1" style="width: 100%;"> <tr> <td style="width: 50%;">DATE</td> <td>2009. 05. 11</td> </tr> </table>	DATE	2009. 05. 11
DATE	2009. 05. 11			
		<table border="1" style="width: 100%;"> <tr> <td style="width: 50%;">DRAW No.</td> <td>T295-1100</td> </tr> </table>	DRAW No.	T295-1100
DRAW No.	T295-1100			

GROUND MONITOR (SBAG-102M / 202M / 402M)

■ GENERAL INFORMATION

The ground monitor is intended to monitor the insulation resistance to ground of motors or AC voltage lines. If the insulation resistance of your motor or system goes below a predetermined value, the ground monitor will raise an alarm.

The ground monitor is an electronic insulation resistance detecting device with electromechanical relay contact output. And its detect circuit is electrically isolated from alarm circuit, so there's no interference between them.

■ SPECIFICATIONS

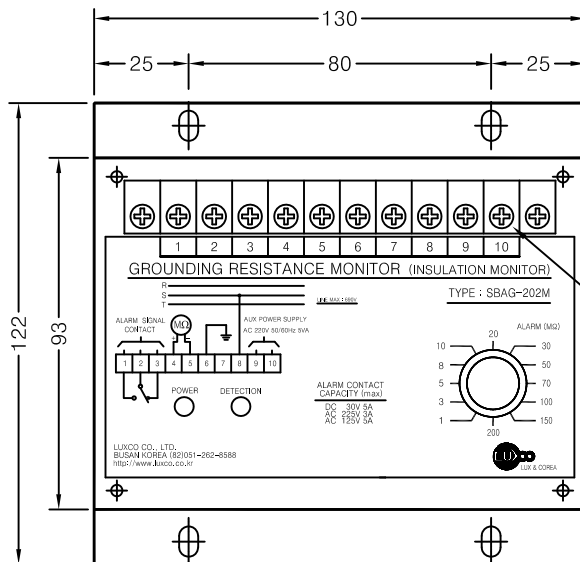
MODEL	SBAG-102M	SBAG-202M	SBAG-402M
Aux. Power Rating	AC 110V 50/60Hz	AC 220V 50/60Hz	AC 440V 50/60Hz
Range Of Power Variation	AC 85 ~ 135V	AC 170 ~ 270V	AC 395 ~ 485V
Max. Power Consumption	5 VA		
Insulation Monitoring Range	$\infty \sim 500 \sim 100 \sim 50 \sim 0 \text{ M}\Omega$		
Insulation Voltage Range	AC 1P / 3Phase 0 ~ 690V (max.)		
Detector Accuracy	$\pm 5\%$ (50 ~ 200 M Ω)		
	$\pm 10\%$ (Under 50M Ω , Above 200M Ω)		
Alarm Setting Range	1 ~ 200 M Ω (Select by 12 steps selector switch) (1 - 3 - 5 - 8 - 10 - 20 - 30 - 50 - 70 - 100 - 150 - 200)		
Alarm Delay Time	3.0 Sec (± 0.5 Sec) Reset time : 0.5 Sec or less		
Alarm Signal Output	<ul style="list-style-type: none"> · 5A (resistive) 2A (inductive) 30V DC · 5A (resistive) 2A (inductive p.f=0.4) 125V AC · 3A (resistive) 1A (inductive p.f=0.4) 250V AC 		
Ambient Temp.	- 20 $^{\circ}$ C ~ + 60 $^{\circ}$ C		
Storage Temp.	- 40 $^{\circ}$ C ~ + 65 $^{\circ}$ C		
Dielectric Strength	<ul style="list-style-type: none"> · Between terminal to cabinet 2.5KV / 1min. · Between 9, 10 to 6, 8 terminal 1.5 KV / 1 min 		
METER	<ul style="list-style-type: none"> · Wide Angle : 80 x 80, 100 x 110 · Rectangular : 60 x 80, 80 x 100, 100 x 120 · DIN : 72 x 72, 96 x 96 		

GROUND MONITOR (SBAG-102M / 202M / 402M)

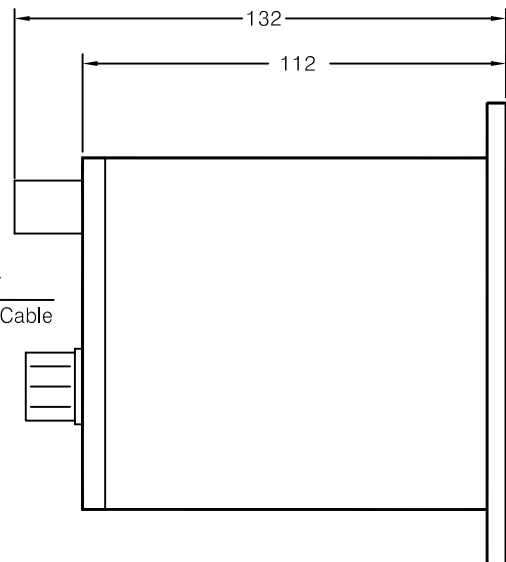
■ OUTLINE DIMENSION AND PANEL CUTTING (Unit in m/m)

- The size of all models are the same

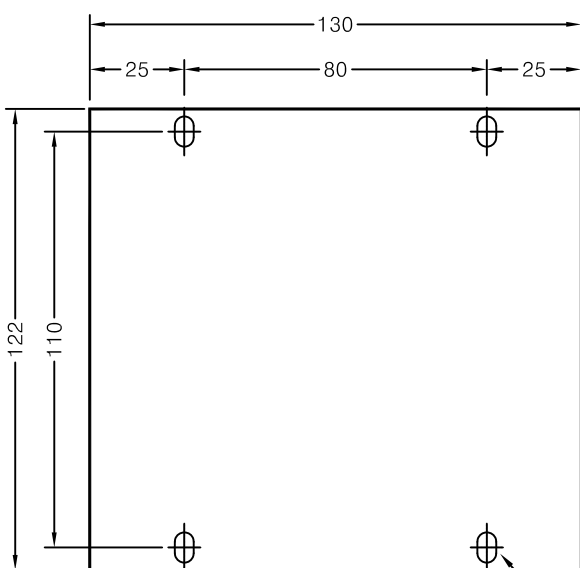
FRONT VIEW



SIDE VIEW



MOUNTING



NOTE

1. Material : PC (Flame retardant)

4 - ø5
(FOR M4 SCREW BOLT)

GROUND MONITOR (SBAG-102M / 202M / 402M)

■ INSTRUCTION MANUAL

● GENERAL

This insulation resistance monitor consists of a meter and a power box monitor the insulation level of a non-grounded AC electrical system.

● MONITOR

The monitor converts 110V or 220V or 440V AC power into regulated DC power.

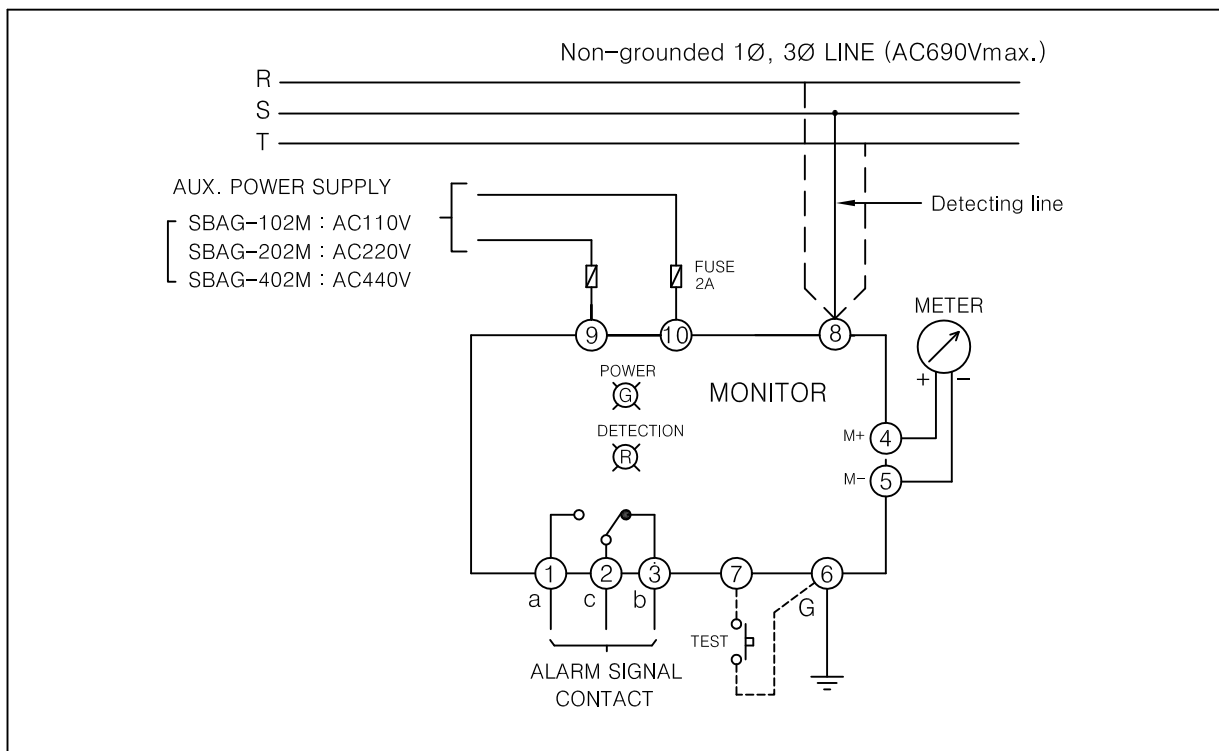
It's DC output circuit is electrically isolated from the AC input circuit by means of a transformer.

● FEATURES

This insulation resistance monitor features :

- a. continuous monitoring of insulation level.
- b. provision for low insulation level alarm, output contact can be used as either alarm "make" or alarm "break" signal.
- c. error – free stable operation, use of voltage regulator circuits in both meter and relay sections.

● CONNECTION



* The terminal (#8) of the monitor may be connected to any of the lines 'R', 'S' or 'T'.