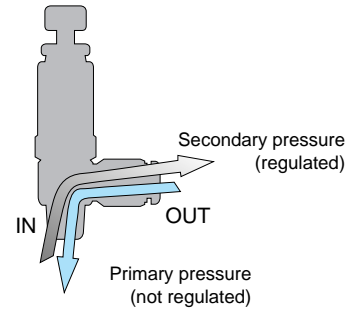


Quick Fitting Type Reducing Valve Regulator

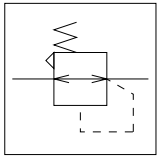
Features

- When the primary pressure is introduced from the thread side, a reduced pressure comes out from the joint side.
- The compact design with a built-in quick-fitting joint makes flexible layout possible.
- The regulator comes with a relief mechanism that facilitates adjustment of devices.
- The compact regulator with a pressure gauge is best suited for use with a manifold type solenoid valve.

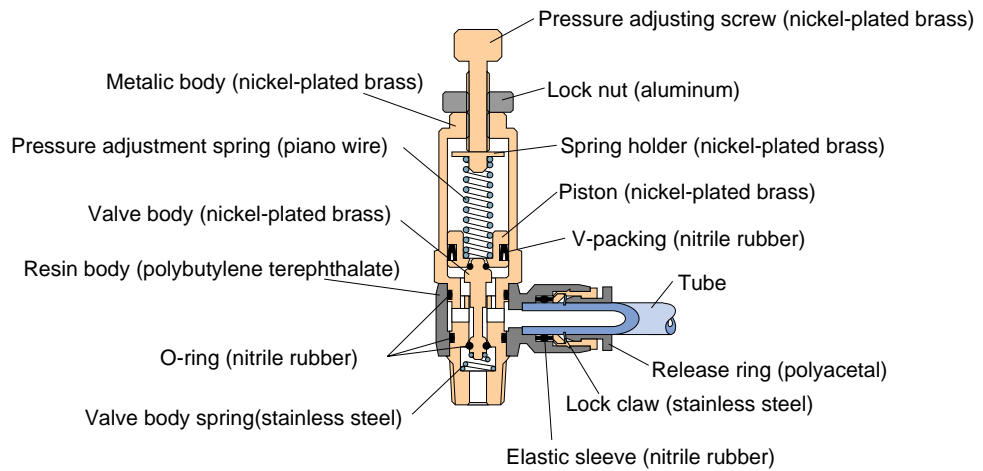
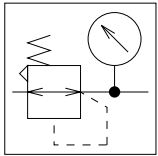


Construction

Graphical representation of regulator



Graphical representation of regulator with gauge



Specification

Fluid admitted	Air	
Service pressure range	0~150psi	0 ~ 0.9MPa
Pressure setting range	14.2~113.8psi	0.1 ~ 0.8MPa
Pressure indication range	0~113.8psi	0 ~ 0.8MPa
Accuracy (gauge)	±5%(Full span)	
Service temperature range	32~140°F	0 ~ 60°C

Model Designation (Example)

RVC 6 = 01

(1) Type (2) Tube dia (3) Tube, Thread size (4) Hexagon flat-to-flat specification

(1) Type

Tube dia	mm Size		
Code	4	6	8
Size (mm)	φ4	φ6	φ8

Tube dia	in. Size			
Code	5/32	3/16	1/4	5/16
Size (mm)	φ5/32	φ3/16	φ1/4	φ5/16

(3) Tube, Thread size

■ Thread size

Tube dia	Metric thread	Taper pipe thread	
Code	M5	01	02
Size	M5×0.8	R1/8	R1/4

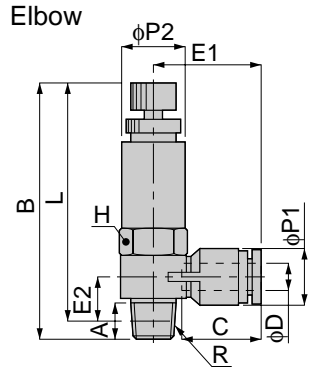
Tube dia	Unified fine thread	American standard Taper pipe thread	
Code	U10	N1	N2
Size	10-32UNF	NPT1/8	NPT1/4

■ Tube dia

Thread size	mm Size		
Code	4	6	8
Size (mm)	φ4	φ6	φ8

(4) Hexagon flat-to-flat specification

U: Hexagon flat-to-flat inch spec. (NPT)
 No code: Hexagon flat-to-flat mm spec.



unit:mm

Model	Tube dia. ϕ D	R	A	B		L		ϕ P1	ϕ P2	C	E1	E2	H	Mass (g)
				max	min	max	min							
RVC 4-M5	4	M5x0.8	3	48.5	44.5	45.5	41.5	8	10	11	15.5	7	10	16
RVC 4-01		R1/8	8	60	56	56	52	10	14	15	21.5	10.5	14	35.5
RVC 6-M5	6	M5x0.8	3	48.5	44.5	45.5	41.5	10.5	10	11.5	17.5	7.5	10	16.5
RVC 6-01		R1/8	8	60	56	56	52	12.5	14	17	23.5	10.5	14	36.5
RVC 6-02	R1/4	11	65	61	59	55	17	17	17	25.5	12	17	59	
RVC 8-01	8	R1/8	8	60	56	56	52	14.5	14	18.5	27	11.5	14	38
RVC 8-02		R1/4	11	65	61	59	55	17	17		28.5	13	17	60

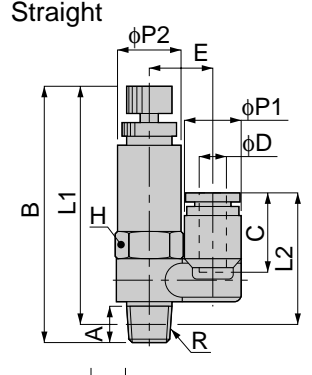


Metric thread type



unit:inch

Model	Tube dia. ϕ D inch(mm)	R	A	B		L		ϕ P1	ϕ P2	C	E1	E2	H	Weight (oz)
				MAX	MIN	MAX	MIN							
RVC 5/32-U10U	5/32(3.97)	10-32UNF	0.14	1.91	1.75	1.77	1.61	0.31	0.39	0.43	0.61	0.28	7/16	0.62
RVC 5/32-N1U	5/32(3.97)	NPT 1/8	0.31	2.36	2.20	2.20	2.05	0.39	0.55	0.59	0.85	0.41	9/16	1.24
RVC 3/16-U10U	3/16(4.76)	10-32UNF	0.14	1.91	1.75	1.77	1.61	0.41	0.39	0.45	0.98	0.30	7/16	0.66
RVC 3/16-N1U	3/16(4.76)	NPT 1/8	0.31	2.36	2.20	2.20	2.05	0.49	0.55	0.67	0.93	0.41	9/16	1.27
RVC 3/16-N2U	3/16(4.76)	NPT 1/4	0.43	2.56	2.40	2.32	2.17	0.49	0.67	0.67	1.00	0.47	11/16	2.11
RVC 1/4-U10U	1/4(6.35)	10-32UNF	0.14	1.91	1.75	1.77	1.61	0.41	0.39	0.45	0.98	0.30	7/16	0.65
RVC 1/4-N1U	1/4(6.35)	NPT 1/8	0.31	2.36	2.20	2.20	2.05	0.49	0.55	0.67	0.93	0.41	9/16	1.27
RVC 1/4-N2U	1/4(6.35)	NPT 1/4	0.43	2.56	2.40	2.32	2.17	0.49	0.67	0.67	1.00	0.47	11/16	2.10
RVC 5/16-N1U	5/16(7.94)	NPT 1/8	0.31	2.36	2.20	2.20	2.05	0.57	0.55	0.73	1.06	0.45	9/16	1.32
RVC 5/16-N2U	5/16(7.94)	NPT 1/4	0.43	2.56	2.40	2.32	2.17	0.57	0.67	0.73	1.12	0.51	11/16	2.15



unit:mm

Model	Tube dia. ϕ D	R	A	B		L1		L2	ϕ P1	ϕ P2	C	E	H	Mass (g)
				max	min	max	min							
RVS 4-M5	4	M5x0.8	3	48.5	44.5	45.5	41.5	24	10	10	15	10.5	10	18
RVS 4-01		R1/8	8	60	56	56	52	28.5		14	13	14	36.5	
RVS 6-M5	6	M5x0.8	3	48.5	44.5	45.5	41.5	26.5	12.5	10	17	12	10	18.5
RVS 6-01		R1/8	8	60	56	56	52	31		14		14	37.5	
RVS 6-02	R1/4	11	65	61	59	55	32	17	17	60.5				
RVS 8-01	8	R1/8	8	60	56	56	52	32	14.5	14	18.5	15	14	39
RVS 8-02		R1/4	11	65	61	59	55	33.5		17		18	61.5	

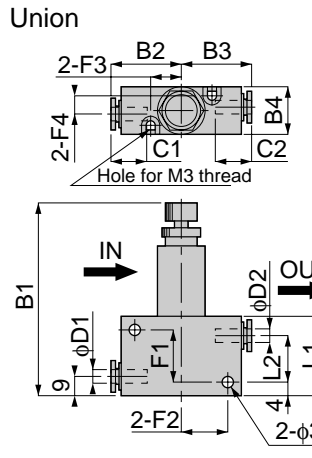


Metric thread type



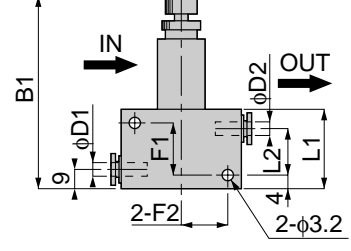
unit:inch

Model	Tube dia. ϕ D inch(mm)	R	A	B		L1		L2	ϕ P1	ϕ P2	C	E	H	Weight (oz)
				MAX	MIN	MAX	MIN							
RVS 5/32-U10U	5/32(3.97)	10-32UNF	0.14	1.91	1.75	1.77	1.61	0.93	0.39	0.39	0.59	0.43	7/16	0.63
RVS 5/32-N1U	5/32(3.97)	NPT 1/8	0.31	2.36	2.20	2.20	2.05	1.12	0.39	0.55	0.59	0.51	9/16	1.27
RVS 3/16-U10U	3/16(4.76)	10-32UNF	0.14	1.91	1.75	1.77	1.61	1.02	0.49	0.39	0.67	0.47	7/16	0.68
RVS 3/16-N1U	3/16(4.76)	NPT 1/8	0.31	2.36	2.20	2.20	2.05	1.22	0.49	0.55	0.67	0.55	9/16	1.32
RVS 3/16-N2U	3/16(4.76)	NPT 1/4	0.43	2.56	2.40	2.32	2.17	1.26	0.49	0.67	0.67	0.67	11/16	2.16
RVS 1/4-U10U	1/4(6.35)	10-32UNF	0.14	1.91	1.75	1.77	1.61	1.02	0.49	0.39	0.67	0.47	7/16	0.66
RVS 1/4-N1U	1/4(6.35)	NPT 1/8	0.31	2.36	2.20	2.20	2.05	1.22	0.49	0.55	0.67	0.55	9/16	1.31
RVS 1/4-N2U	1/4(6.35)	NPT 1/4	0.43	2.56	2.40	2.32	2.17	1.26	0.49	0.67	0.67	0.67	11/16	2.15
RVS 5/16-N1U	5/16(7.94)	NPT 1/8	0.31	2.36	2.20	2.20	2.05	1.26	0.57	0.55	0.73	0.59	9/16	1.36
RVS 5/16-N2U	5/16(7.94)	NPT 1/4	0.43	2.56	2.40	2.32	2.17	1.32	0.57	0.67	0.73	0.63	11/16	2.20



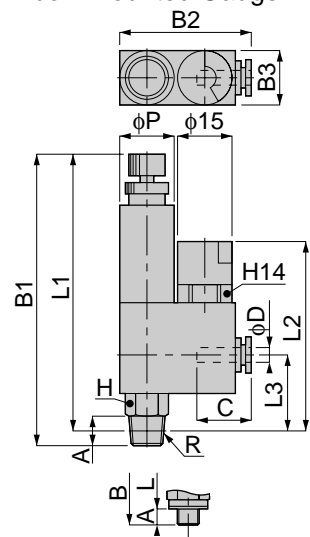
unit:mm

Model	Tube dia. ϕ D1	Tube dia. ϕ D2	B1		B2	B3	B4	L1	L2	C1	C2	F1	F2	F3	F4	Mass (g)
			max	min												
RVU 4-4	4	4	63	59	22	22	15	25	15	11.5	11.5	17	15	10	4.5	35.5
RVU 6-4	6	4	63	59	22.5	22.5	15	25	15	12	11.5	17	15	10	4.5	35.5
RVU 6-6		6									12					
RVU 8-6	8	6	67.5	63.5	28.5	28.5	19	29	17	18.5	17.5	21	19.5	11.5	6.5	60
RVU 8-8		8									18.5					60.5



RVCM

Elbow Mounted Gauge



Metric thread type

unit:mm

Model	Tube dia. φD	R	A	B1		B2	B3	L1		L2	L3	φP	C	H	Mass (g)
				max	min			max	min						
RVCM 4-M5	4	M5×0.8	3	57.5	53.5	27.5	15	54.5	50.5	42.5	12.5	11	11	8	27.5
RVCM 4-01		R1/8	8	81.5	77.5	36		77.5	73.5	51.5	18.5	15	15	12	54.5
RVCM 6-M5	6	M5×0.8	3	57.5	53.5	28	15	54.5	50.5	42.5	12.5	11	11.5	8	27.5
RVCM 6-01		R1/8	8	81.5	77.5	36.5		77.5	73.5	51.5	18.5	15	17	12	54.5
RVCM 6-02		R1/4	11	89.5	85.5	39.5		83.5	79.5	57	22.5	19	18	16	83.5
RVCM 8-01	8	R1/8	8	81.5	77.5	36.5	15	77.5	73.5	51.5	18.5	15	18	12	55
RVCM 8-02		R1/4	11	89.5	85.5	39.5	19	83.5	79.5	57	22.5	19	16	83.5	

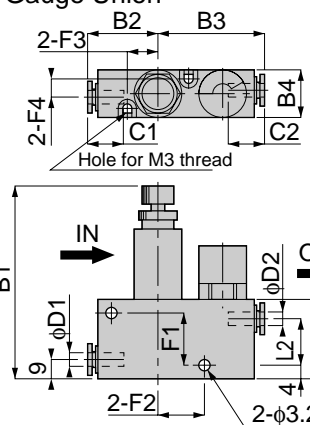


unit:inch

Model	Tube dia.φD inch(mm)	R	A	B1		B2	B3	L1		L2	L3	φP	C	H	Weight (oz)
				MAX	MIN			MAX	MIN						
RVCM 5/32-U10U	5/32(3.97)	10-32UNF	0.14	2.26	2.11	1.08	0.59	2.13	1.97	1.65	0.47	0.43	0.43	5/16	0.98
RVCM 5/32-N1U	5/32(3.97)	10-32UNF	0.31	3.21	3.05	1.42	0.59	3.05	2.89	2.03	0.73	0.59	0.59	1/2	1.96
RVCM 1/4-N1U	1/4(6.35)	NPT 1/8	0.31	3.21	3.05	1.44	0.59	3.05	2.89	2.03	0.73	0.59	0.67	1/2	2.25
RVCM 1/4-N2U	1/4(6.35)	NPT 1/4	0.43	3.52	3.37	1.56	0.75	3.29	3.13	2.24	0.89	0.75	0.67	11/16	3.32
RVCM 5/16-N1U	5/16(7.94)	NPT 1/8	0.31	3.21	3.05	1.44	0.59	3.05	2.89	2.03	0.73	0.59	0.71	1/2	1.99
RVCM 5/16-N2U	5/16(7.94)	NPT 1/4	0.43	3.52	3.37	1.56	0.75	3.29	3.13	2.24	0.89	0.75	0.71	11/16	3.07

RVUM

Gauge Union



unit:mm

Model	Tube dia. φD1	Tube dia. φD2	B1		B2	B3	B4	L1	L2	C1	C2	F1	F2	F3	F4	Mass (g)
			max	min												
RVUM 4-4	4	4	63	59	22	33	15	25	15	11.5	11.5	17	15	10	4.5	47.5
RVUM 6-4	6	4	63	59	22.5	33	15	25	15	12	11.5	17	15	10	4.5	47.5
RVUM 6-6		6				33.5					12					
RVUM 8-6	8	6	67.5	63.5	28.5	40.5	19	29	17	18.5	17.5	21	19.5	11.5	6.5	73
RVUM 8-8		8									18.5					

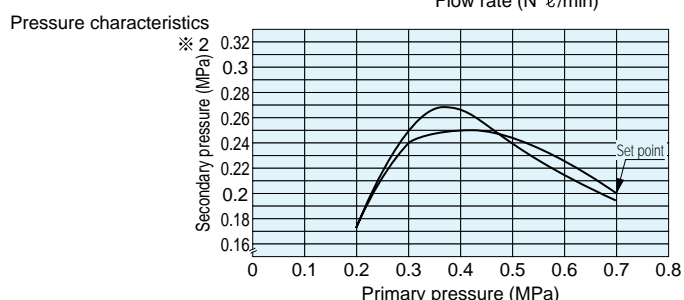
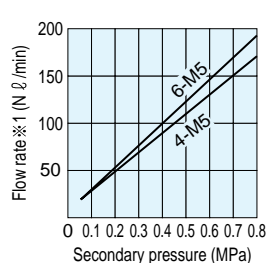
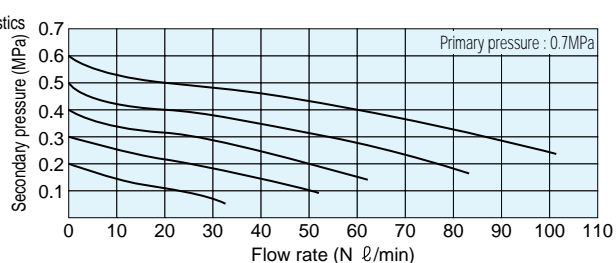


Flow characteristics

Straight type

RVC 4-M5
6-M5

RVS 4-M5
6-M5



※1. Flow from secondary to primary.
 ※2. Primary pressure varies from 0.7 to 0.2 to 0.7 Mpa.

Regulator

Characteristics

- The regulator comes with a direct mounting type pressure gauge (compact).
- The special scale of the pressure gauge can be read not only from front but also from other directions.
- The push lock type handle makes installation possible without resorting to any tool.

Regulator Specifications

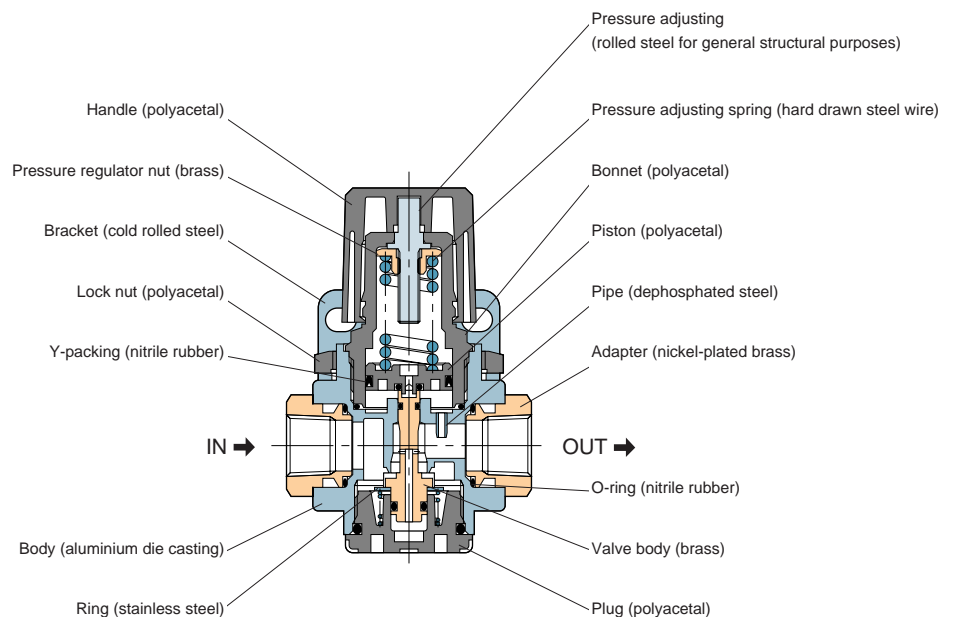
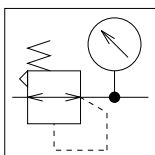
Type	RVF 300-□	
Connection bore	Rc1/4(02)	Rc3/8(03)
Fluid admitted	Air	
Max. Operating pressure	145psi (1MPa)	
Pressure setting range	7.25~123.25psi (0.05~0.85MPa)	
Proof pressure	174psi (1.2MPa)	
Service temperature range	41~122°F (5~50°C)	

Pressure Gauge Specifications

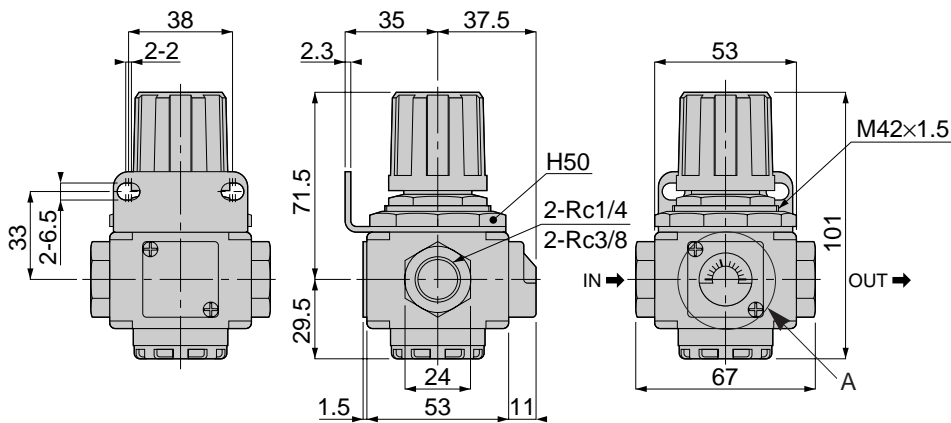
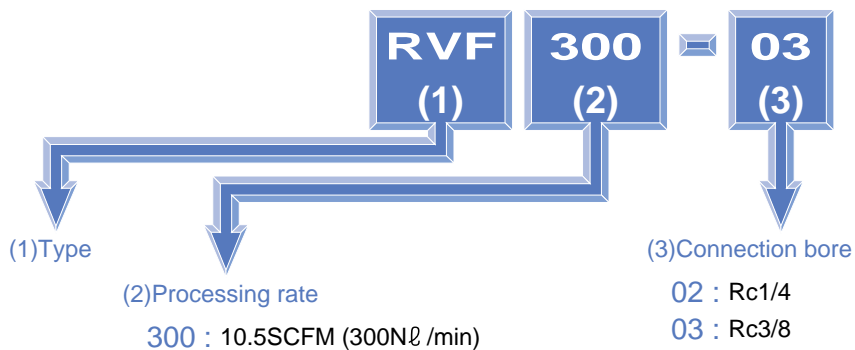
Type	GK 46-B20
Fluid admitted	Air
Indicated pressure range	0~145psi (0~1MPa)
Accuracy (full scale)	±5%F.S

Construction

Symbol for regulator with gauge



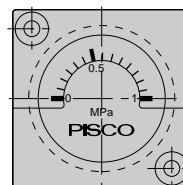
Model Designation (Example)



Unit: mm

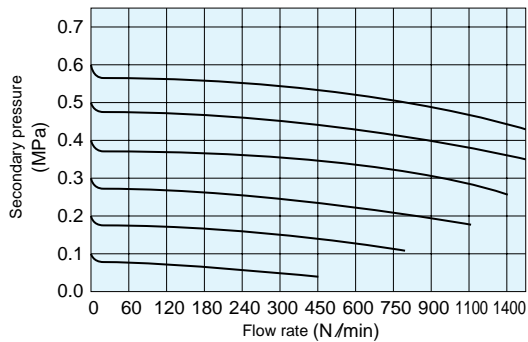
Model	Weight(g)	
	(*)02	(*)03
RVF 300-□	465.5	444.5

(*) Connection bore



Characteristics

Flow characteristics



Pressure characteristics

