

One-phase switching power supply  
regulated, 120 W



<b>Identification</b>	Type	CPSB1-120-24R
	Part-No.	722783
<b>Input</b>		
Nominal voltage	AC 120 V / 230 V	
Operation voltage range	AC 90–264 V / DC 110–345 V	
Line frequency	47 Hz – 63 Hz	
Rated current	$U_i = AC 115 V: 1.9 A / U_i = AC 230 V: 1.1 A$	
Inrush current	<20 A	
Internal fuse	T3, 15 A / AC 250 V	
External fuse	Mini-circuit breaker: B 6 A, C 4 A	
Power Factor Correction P.F.C.	>0.65	
<b>Load Side</b>		
Rated voltage output	DC 24 V	
Rated current output	5 A	
Max. output current	9 A, 30 s, @ 24 V	
Short-circuit current	15 A, 50 ms	
Low power loss	<20 W	
Voltage trim range	DC 23–27.5 V	
Load regulation	<1 %	
Ripple & Noise	<30 mV	
Hold up time	>16 ms (AC 120 V), >81 ms (AC 230 V)	

23.03.2015 – Subject to technical modification

Part-No. 722783

USA: LUTZE INC.

13330 South Ridge Drive • Charlotte, NC 28273, USA  
Tel. +1 (704) 504-0222 • Fax +1 (704) 504-0223  
www.lutze.com • info@lutze.com

United Kingdom: LÜTZE Ltd.

Unit 3, Sandy Hill Park  
Sandy Way, Amington • GB-Tamworth, Staffs B77 4DU  
Tel. +44 (0)1827 31333-0 • Fax +44 (0)1827 31333-2  
www.lutze.com • sales.gb@lutze.co.uk

## Technical data sheet • Power supply

---

Status indication DC ON LED green	≥21.6 V
Status indication DC LOW LED red	≤21.6 V
Parallel/redundant operation	max. 2 devices / via internal diodes
Efficiency	>86 %
Rated over load protection	yes
Over voltage protection	yes
Short circuit characteristics	Hiccup-mode

---

### General

---

Switching frequency	approx. 110 kHz
Insulation voltage input/output	AC 3.0 kV <sub>eff</sub>
Insulation voltage input / ground	AC 1.5 kV <sub>eff</sub>
Insulation voltage output / ground	AC 0.5 kV <sub>eff</sub>
Operation temperature range	-20 °C – 60 °C (derating)
Derating	>45 °C: -4 W / °C
Storage temperature range	-25 °C – 85 °C
M.T.B.F.	>500000 h to SN29500 / >150000 h to MIL standard HDBK 217F
Relative humidity	20–90% RH, non-condensing
Dimensions (w × h × d)	40.0 × 115.0 × 128.0 mm
Cooling	Natural air cooling, 10 mm distance right/left, 50 mm distance above/below
Installation position	vertical
Housing material	Aluminium
Protection class	IP 20 (IEC529, EN60529)
Field installation	rail TS 35 (EN 50022)
IP rating	I (SELV, PELV)
Overvoltage category	II
Pollution degree	2
Weight (kg/piece)	0.400
Termination	Screw terminal: 0.2–2.5 mm <sup>2</sup> - pluggable,max. 0.56 Nm
Approvals	UL, cUL: UL 508, IEC 950, EN 60950, UL 60950 CE: EN 61000-4-2/3/4/5/6/11, EN 61000-6-2, EN 601000-6-4, EN 50178, EN 61558, EN 50081-1, EN 50082-2, EN 55022 Class B

---

### Monitoring

---

DC ON Control (Rdy)	Normally open
Switching voltage	AC 300 V / DC 150 V
Switching current	AC/DC 1 A
Switching capacity	300 VA / 30 W
Insulation voltage	AC 500 V

23.03.2015 – Subject to technical modification

Part-No. 722783

USA: LUTZE INC.

13330 South Ridge Drive • Charlotte, NC 28273, USA

Tel. +1 (704) 504-0222 • Fax +1 (704) 504-0223

www.lutze.com • info@lutze.com

United Kingdom: LÜTZE Ltd.

Unit 3, Sandy Hill Park

Sandy Way, Amington • GB-Tamworth, Staffs B77 4DU

Tel. +44 (0)1827 31333-0 • Fax +44 (0)1827 31333-2

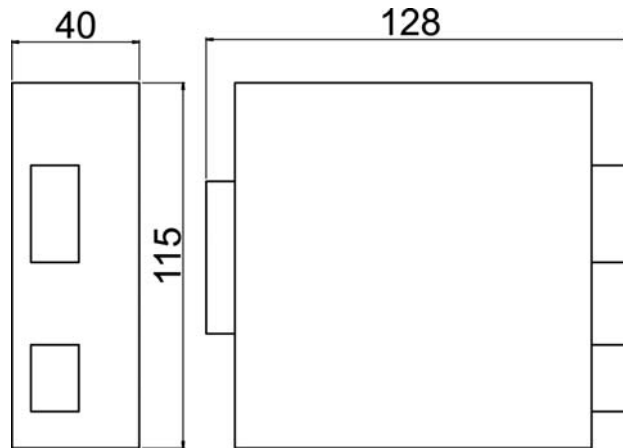
www.lutze.com • sales.gb@lutze.co.uk



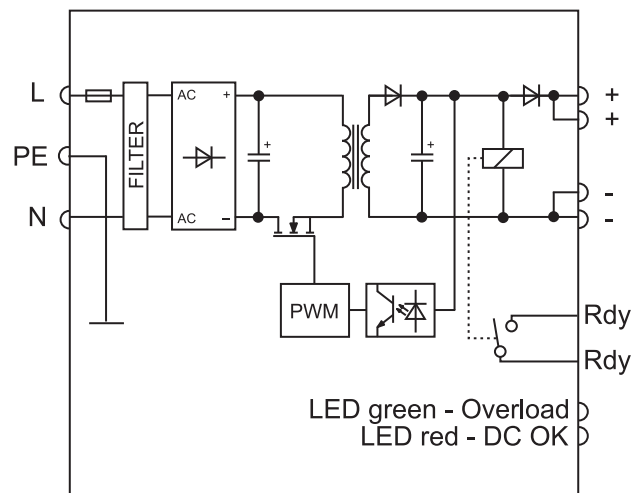
SYSTEMATIC TECHNOLOGY

# Technical data sheet • Power supply

## Dimensions



## PIN assignment



23.03.2015 – Subject to technical modification

Part-No. 722783

USA: LUTZE INC.

13330 South Ridge Drive • Charlotte, NC 28273, USA

Tel. +1 (704) 504-0222 • Fax +1 (704) 504-0223

www.lutze.com • info@lutze.com

United Kingdom: LÜTZE Ltd.

Unit 3, Sandy Hill Park

Sandy Way, Amington • GB-Tamworth, Staffs B77 4DU

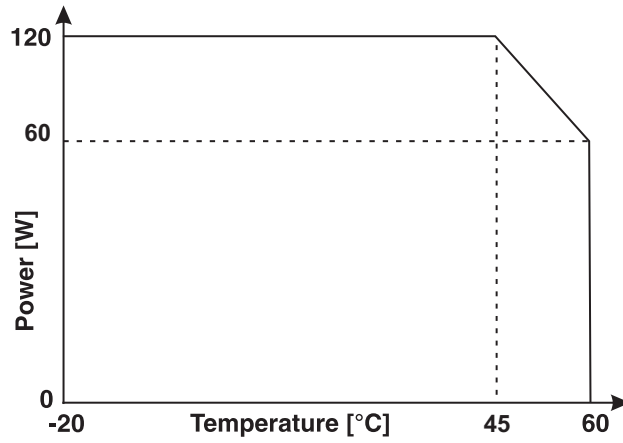
Tel. +44 (0)1827 31333-0 • Fax +44 (0)1827 31333-2

www.lutze.com • sales.gb@lutze.co.uk

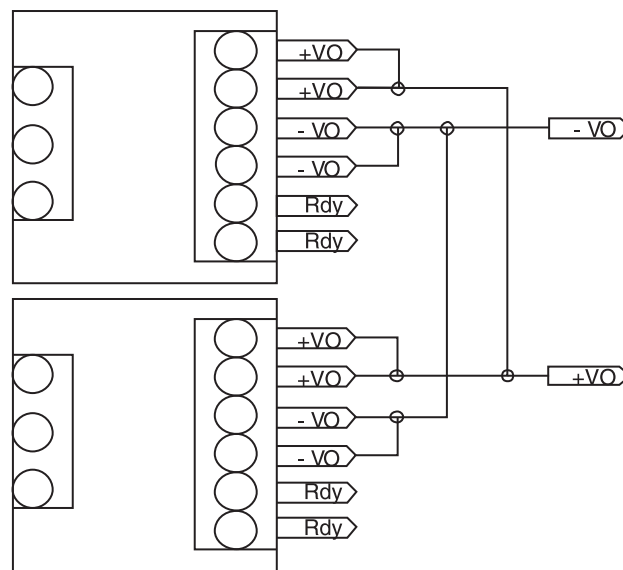


SYSTEMATIC TECHNOLOGY

Derating



Parallel mode



23.03.2015 – Subject to technical modification

Part-No. 722783

USA: LUTZE INC.

13330 South Ridge Drive • Charlotte, NC 28273, USA  
Tel. +1 (704) 504-0222 • Fax +1 (704) 504-0223  
www.lutze.com • info@lutze.com

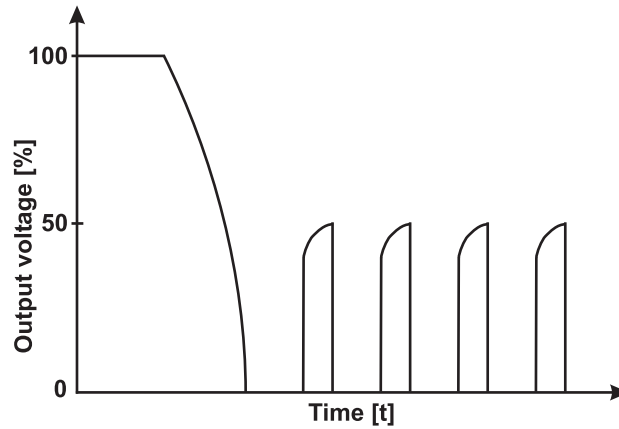
United Kingdom: LÜTZE Ltd.

Unit 3, Sandy Hill Park  
Sandy Way, Amington • GB-Tamworth, Staffs B77 4DU  
Tel. +44 (0)1827 31333-0 • Fax +44 (0)1827 31333-2  
www.lutze.com • sales.gb@lutze.co.uk



SYSTEMATIC TECHNOLOGY

Short circuit characteristics



23.03.2015 – Subject to technical modification

Part-No. 722783

USA: LUTZE INC.

13330 South Ridge Drive • Charlotte, NC 28273, USA

Tel. +1 (704) 504-0222 • Fax +1 (704) 504-0223

www.lutze.com • info@lutze.com

United Kingdom: LÜTZE Ltd.

Unit 3, Sandy Hill Park

Sandy Way, Amington • GB-Tamworth, Staffs B77 4DU

Tel. +44 (0)1827 31333-0 • Fax +44 (0)1827 31333-2

www.lutze.com • sales.gb@lutze.co.uk



SYSTEMATIC TECHNOLOGY