



Identification	Type Part-No.	LVER-V10-5509 DC 24V 705509
Description	Adjustable male, form A (18 mm) Switching amplifier with and without galvanic insulation Ground wire terminator, short-circuit-proof, 0°–180° installation	
Technical data		
Type of function	Switching amplifier	
Protection device	Suppressor diode	
Rated voltage	DC 24 V	
Rated voltage range	DC 18 – 30 V	
Current Consumption	21 mA	
Cut-off peak	≤ 52 V	
Control current	10 mA	
Switching current	0.005 A – 2 A, short circuit protection	
Switching frequency	max. 20 Hz	
Switch-on delay	<100 μs	
Switch-off delay	<200 μs	
Holding Capacity	100 VA	
Connecting lead Ø	5 – 9 mm	
Fitting	PG 9	

28.10.2017 – Subject to technical modification

Part-No. 705509

USA: LUTZE INC.

13330 South Ridge Drive • Charlotte, NC 28273, USA
Tel. +1 (704) 504-0222 • Fax +1 (704) 504-0223
www.lutze.com • info@lutze.com

United Kingdom: LÜTZE Ltd.

Unit 3, Sandy Hill Park
Sandy Way, Amington • GB-Tamworth, Staffs B77 4DU
Tel. +44 (0)1827 31333-0 • Fax +44 (0)1827 31333-2
www.lutze.com • sales.gb@lutze.co.uk



SYSTEMATIC TECHNOLOGY

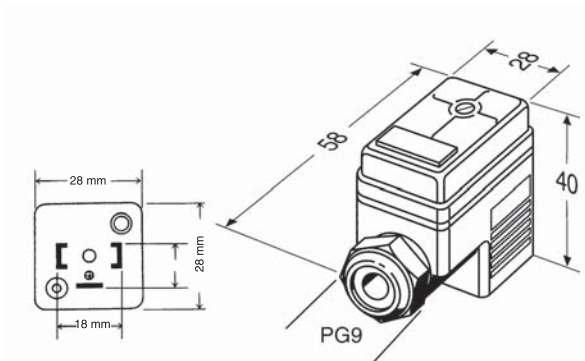
Technical data sheet • Suppression Technology

Short-circuit protection

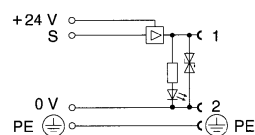
Short circuit protected

General

Design	A (18 mm)
Status indication	LED yellow
Amperage range	≤ 2 A
Insulation resistance	> 100 M Ω
Pole number	3
Housing material	PA
Color of the housing	black
Contact material	CuSn tin-plated
Material sealing ring	NBR
Mechanical service life	> 100 insertion cycles
Degree of pollution	3
Protection class	IP65
Mounting	Breakaway torque 0.4 Nm
Connection device	Screw terminal
Connection cross-section	0.5 – 1.5 mm ²
Connection cross-section	AWG 20 – AWG 16
Material seal	NBR
Operation temperature range	-25 °C ... +60 °C
Storage temperature range	-25 °C ... +80 °C
Dimensions	



PIN assignment



28.10.2017 – Subject to technical modification

Part-No. 705509

USA: LUTZE INC.

13330 South Ridge Drive • Charlotte, NC 28273, USA
Tel. +1 (704) 504-0222 • Fax +1 (704) 504-0223
www.lutze.com • info@lutze.com

United Kingdom: LÜTZE Ltd.

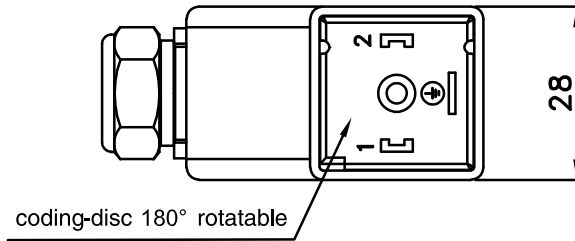
Unit 3, Sandy Hill Park
Sandy Way, Amington • GB-Tamworth, Staffs B77 4DU
Tel. +44 (0)1827 31333-0 • Fax +44 (0)1827 31333-2
www.lutze.com • sales.gb@lutze.co.uk



SYSTEMATIC TECHNOLOGY

Technical data sheet • Suppression Technology

Mounting diagram



Accessories

Accessories	Color	Part-No.	Type	PU
Marker holder BZT	white	681315	BZT 0920 (VE.100 St)	100

28.10.2017 – Subject to technical modification

Part-No. 705509

USA: LUTZE INC.

13330 South Ridge Drive • Charlotte, NC 28273, USA
Tel. +1 (704) 504-0222 • Fax +1 (704) 504-0223
www.lutze.com • info@lutze.com

United Kingdom: LÜTZE Ltd.

Unit 3, Sandy Hill Park
Sandy Way, Amington • GB-Tamworth, Staffs B77 4DU
Tel. +44 (0)1827 31333-0 • Fax +44 (0)1827 31333-2
www.lutze.com • sales.gb@lutze.co.uk