

## ISO-FLEX<sup>®</sup>

Natural frequency : (1)  
11 to 15 Hz

### DESCRIPTION

The ISO-FLEX<sup>®</sup> mount comprises two concentric metallic parts joined by a bonded, perforated rubber ring.

### OPERATION

The design of the ISO-FLEX<sup>®</sup> mount gives the following basic characteristics : elasticity approximately the same in all directions (equi-frequent mounting).

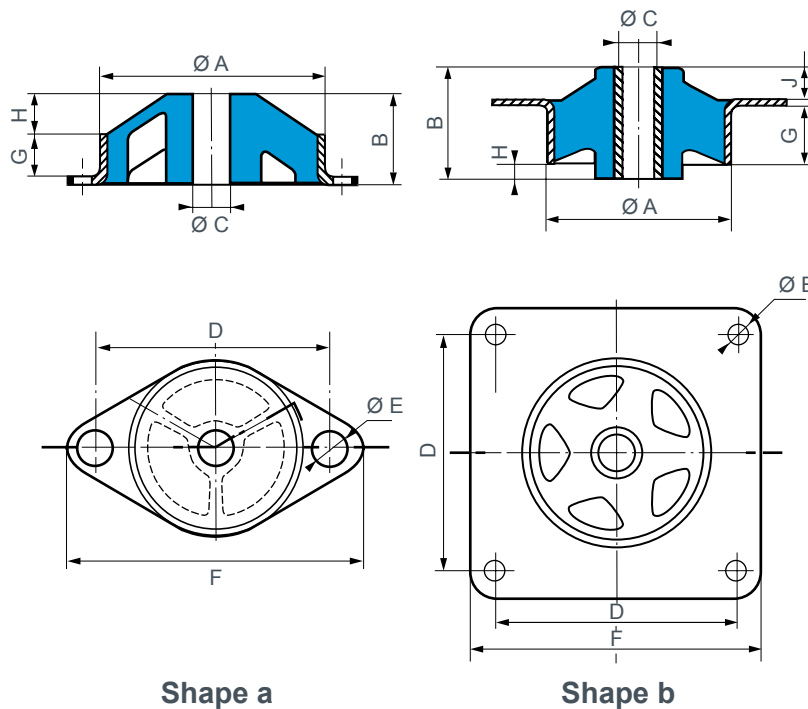
### APPLICATIONS

ISO-FLEX<sup>®</sup> mounts may be used for suspending any small measuring or recording equipment, mobile equipment, machine tool controls.

1) the indicated natural frequency, are valid for the maxi loads of the ranges of use quoted in the paragraph : TECHNICAL CHARACTERISTICS.



# DIMENSIONS



Shape a

Shape b

Type	Shape	Reference	Hardness	Ø A (mm)	B (mm)	Ø C (mm)	D (mm)	Ø E (mm)	F (mm)	G (mm)	H (mm)	J (mm)	Weight (g)
R	a	552428	50	28	8	4,2	36	3,2	44	4	3	-	9
I.20	b	552231	45 - 60	25,4	10,3	4,2	25,4	3,6	31,8	4,2	1	4,3	10
I.30	b	552241	45 - 60	38,1	15,9	6,2	34,9	4,2	44,5	7,3	-	7,3	30

See current price list for availability of items.

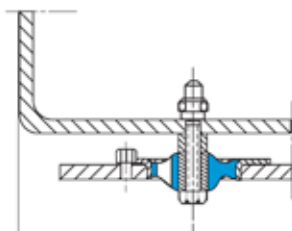
# TECHNICAL CHARACTERISTICS

Nominal static load (daN)	Deflection (mm)	Type	Reference	Dureté
0,25 - 1	3	R	552428	50
0,50 - 2	3	I.20	552231	45
0,75 - 3	2,5	I.20	552231	60

Nominal static load (daN)	Deflection (mm)	Type	Reference	Dureté
1 - 4	3	I.30	552241	45
1,5 - 6	2	I.30	552241	60

All of our mounts are identified by conventional markings, either a paint spot or figures indicating the hardness : grey = hardness 45, green = hardness 60, blue = hardness 75.

# ASSEMBLY



Fixing method

To avoid toppling or canting, the suspension should be designed so that the centre of gravity of the suspended equipment is close to the geometrical centre of the suspension.