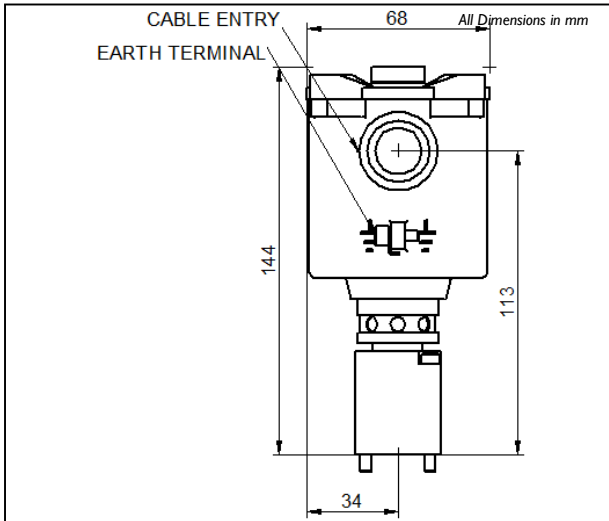
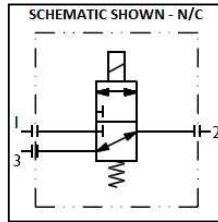


FP03P

Dimensional Drawing



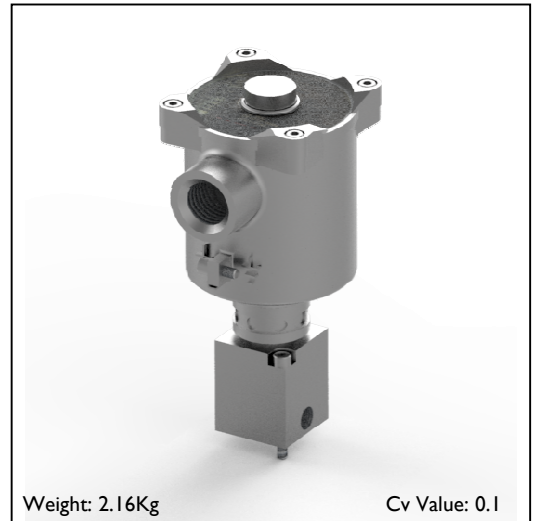
Schematic



Certification



Rendering



FP03P-MI-32-NC-V-78A-370

FP03P	Direct Acting Solenoid Valve	Model Code
	145 psi / 10 bar Maximum Valve Pressure	Operator
MI	Manifold Mount - Axis Manifold System Only	Connections
32	3-way, 2-position	Valve Configuration
NC	Normally Closed	Valve Configuration
V	Viton -20°C to +90°C	O-ring Material
78	Ex ia	Solenoid
A	ATEX/IECEx Dual Certified/Labelled	Solenoid Approval
370	370 Ohms	Voltage
	Auto Reset	Options
	N/A - Intrinsically Safe	Power
	M20 x 1.5 Cable Entry	Cable Entry
	Manifold Mount	Port Type
	No Identifier	Identifier
FP03P -MI -32 -NC -V -78 A -370		Model Number

This is a bespoke datasheet. For further details on the complete range, please refer to catalogue: Direct & Indirect Acting Solenoid Valves Models FP03P, FP06P, FP10P, FP12P, BXS & SPR

Accuracy of information
We take care to ensure that product information in this catalogue is reasonably accurate and up-to-date. However, our products are continually developed and updated so to ensure accurate and up-to-date information please refer to the product catalogue issue list on our web site or contact a member of our sales team.

When selecting a product, the applicable operating system design must be considered to ensure safe use. The products function, material compatibility, adequate ratings, correct installation, operation and maintenance are the responsibilities of the system designer and user.

Quality Assurance
All Bifold products are manufactured to a most stringent QA programme to ensure that every product will give optimum performance and reliability. We are third party certified to BS EN ISO 9001:2008. Functional test certificates, letter of conformity and copies of original mill certificates, providing total traceability are available on request, to BS EN 10204 3.1 where available. We reserve the right to make changes to the specifications and design etc., without prior notice.

