

# Series 3 valves and solenoid valves

2x3/2, 3/2, 5/2 and 5/3-way CC CO CP  
Ports: G1/8 and G1/4



Series 3 solenoid valves with G1/8 and G1/4 ports have been designed in the 3/2, 2 x 3/2, 5/2, 5/3 versions and with the following two devices of actuation:

- Electropneumatically actuated with mechanical spring return
- Electropneumatically actuated with external and internal air pressure supply

Series 3 valves are equipped with a manual override which allows a stable operation and they can use Series U or G solenoids (22x22).

Pneumatically actuated valves 3/2 NC become NO when the supply is on connection 3.

## GENERAL DATA

Construction	spool - type
Valve group	2x3/2 - 3/2 - 5/2 - 5/3-way CC CO CP
Materials	AL body, stainless steel spool, NBR seals
Ports	G1/8 - G1/4
Installation	in any position
Operating temperature	0 ÷ 60°C (with dry air at -20°C)
Operating pressure	see tables
Fluid	filtered air, without lubrication. If lubricated air is used, it is recommended to use ISOVG32 oil. Once applied the lubrication should never be interrupted.

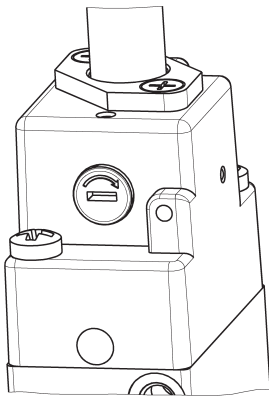
**CODING EXAMPLE**

<b>3</b>	<b>3</b>	<b>8</b>	<b>D</b>	<b>-</b>	<b>015</b>	<b>-</b>	<b>02</b>	<b>IL</b>	<b>-</b>	<b>U7</b>	<b>7</b>
----------	----------	----------	----------	----------	------------	----------	-----------	-----------	----------	-----------	----------

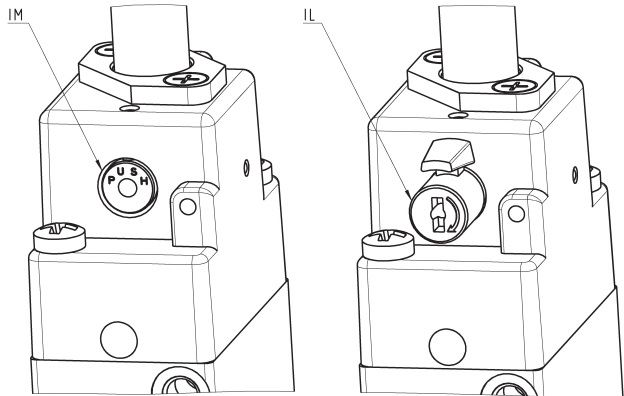
<b>3</b>	SERIES
<b>3</b>	NUMBER OF WAYS - POSITIONS: 3 = 3/2 NC 4 = 3/2 NO 5 = 5/2 6 = 5/3 CC 7 = 5/3 CO 8 = 5/3 CP 9 = 1x3/2 NC + 1x3/2 NO
<b>8</b>	PORTS: 8 = G1/8 4 = G1/4
<b>D</b>	VERSION: = standard D = double valve 2x3/2 L = for manifold assembly (only for solenoid valves 3/2 with G1/8 ports)
<b>015</b>	ACTUATION: 011 = double solenoid 015 = single solenoid, spring return 016 = single solenoid, pneumatic spring return E11 = double solenoid external servo-command E15 = single solenoid, external servo-command 033 = pneumatic pneumatic 035 = pneumatic spring
<b>02</b>	SOLENOID INTERFACE: 02 = mech. sol. 22 x 22
<b>IL</b>	TYPE OF MANUAL OVERRIDE: = bistable, standard IL = bistable, lever type (available on demand) IM = monostable (available on demand)
<b>U7</b>	ENCAPSULATING MATERIAL / SOLENOID DIMENSIONS: A8 = PPS / 30 x 30 G7 = PA / 22 x 22 G8 = PA / 30 x 30 (24 V DC only) G9 = PA / 22 x 58 H8 = PA 6 V0 / 30 x 30 U7 = PET / 22 x 22
<b>7</b>	SOLENOID VOLTAGE (see the dedicated section 2.35)

SERIES 3 VALVES AND SOLENOID VALVES

**TYPES OF MANUAL OVERRIDE**



Example of solenoid valve with a bistable standard manual override.

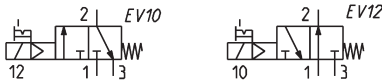
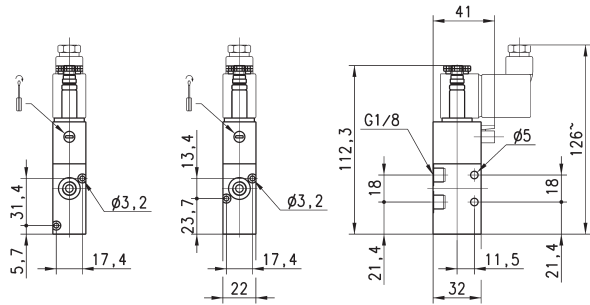


Example of solenoid monostable valve (IM) and bistable valve with a lever type manual override (IL).

**3/2-way solenoid valve, G1/8, monostable - Mod. 338..., Mod 348...**



These solenoid valves, which have electropneumatic actuation and spring return, are available in the NC (closed) or NO (open) version.

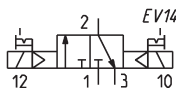
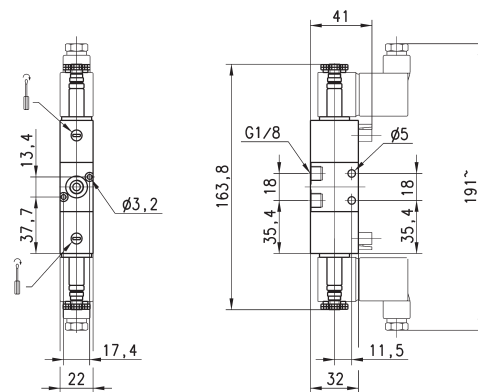


Mod.	Mounting	Function	Flow rate (NI/min)	Operating pressure (bar)	Symbol
338-015-02	in-line	3/2 NC	700	2,5 ÷ 10	EV10
338L-015-02	on manifold	3/2 NC	700	2,5 ÷ 10	EV10
348-015-02	in-line	3/2 NO	700	2,5 ÷ 10	EV12
348L-015-02	on manifold	3/2 NO	700	2,5 ÷ 10	EV12

**3/2-way solenoid valve, G1/8, bistable - Mod. 338...**

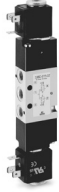


These solenoid valves, which have electropneumatic actuation and return, assume the NC (closed) or NO (open) position depending on the last pulse received.

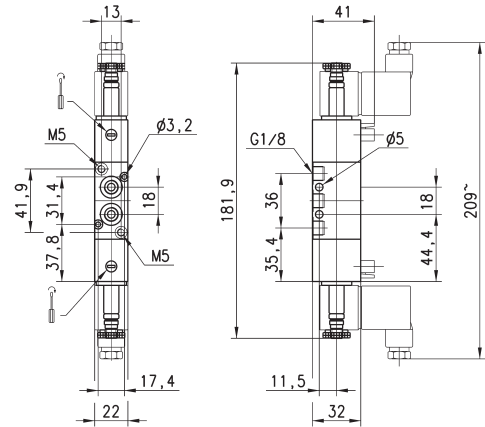
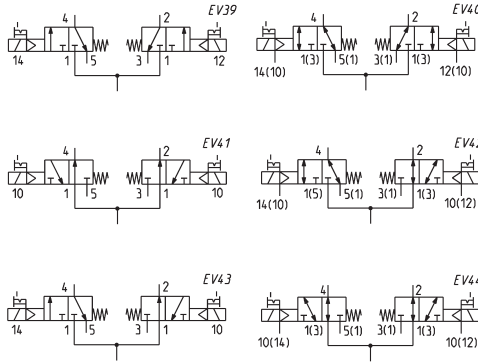


Mod.	Mounting	Function	Flow rate (NI/min)	Operating pressure (bar)
338-011-02	in-line	3/2	700	1,5 ÷ 10
338L-011-02	on manifold	3/2	700	1,5 ÷ 10

## 2 x 3/2-way solenoid valve, G1/8 - Mod. 338D..., 348D... e 398D...



These solenoid valves are available in versions with 2 x 3/2 valves in the same valve.

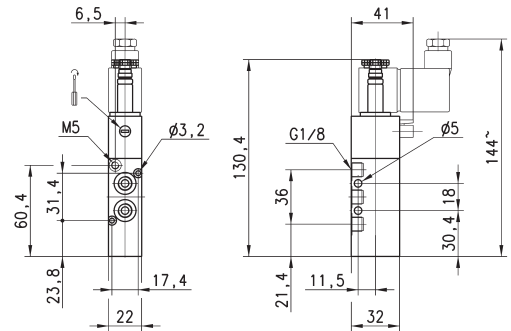
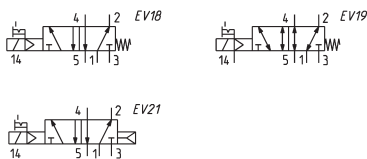


Mod.	Function	Flow rate (NL/min)	Operating pressure (bar)	Pilot pressure (bar)	Symbol
338D-015-02	2 x 3/2 NC	700	2,5 ÷ 10	-	EV39
348D-015-02	2 x 3/2 NO	700	2,5 ÷ 10	-	EV41
338D-E15-02	2 x 3/2 NC	700	-0,9 ÷ 10	2,5 ÷ 10	EV40
348D-E15-02	2 x 3/2 NO	700	-0,9 ÷ 10	2,5 ÷ 10	EV44
398D-015-02	1 x 3/2 NC + 1 x 3/2 NO	700	2,5 ÷ 10	-	EV43
398D-E15-02	1 x 3/2 NC + 1 x 3/2 NO	700	-0,9 ÷ 10	2,5 ÷ 10	EV42

## 5/2-way solenoid valve, G1/8, monostable - Mod. 358...



These solenoid valves with electropneumatic actuation and mechanical or pneumatic spring return are suitable for controlling double-acting cylinders.

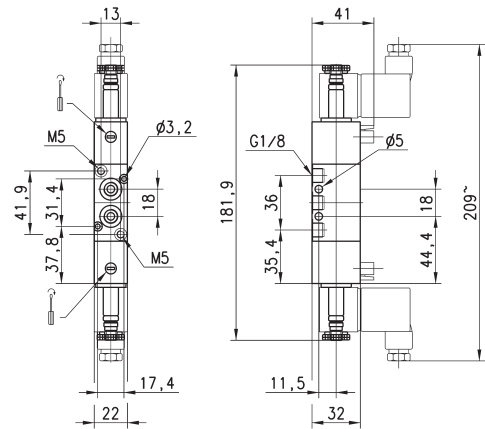


Mod.	Function	Flow rate (NL/min)	Operating pressure (bar)	Pilot pressure (bar)	Symbol
358-015-02	5/2	700	2,5 ÷ 10	-	EV18
358-E15-02	5/2	700	-0,9 ÷ 10	2,5 ÷ 10	EV19
358-016-02	5/2	700	2,5 ÷ 10	-	EV21

**5/2-way solenoid valve, G1/8, bistable - Mod. 358...**



These solenoid valves with electropneumatic actuation and return are suitable for controlling double-acting cylinders.

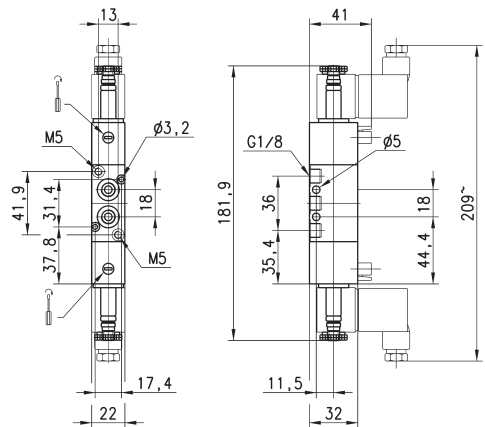
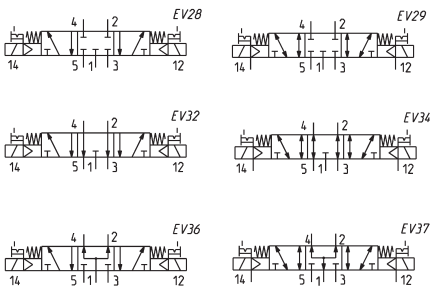


Mod.	Function	Flow rate (NL/min)	Operating pressure (bar)	Pilot pressure (bar)	Symbol
358-011-02	5/2	700	1,5 ÷ 10	-	EV23
358-E11-02	5/2	700	-0,9 ÷ 10	1,5 ÷ 10	EV25

**5/3-way solenoid valve, G1/8, - Mod. 368... Mod. 378... Mod. 388...**



CC = Centres Closed CO = Centres Open CP = Pressure Centres

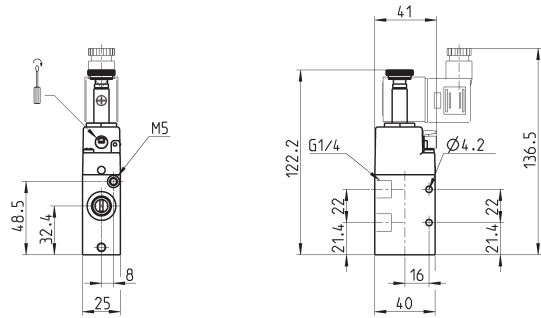
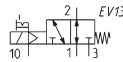
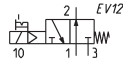
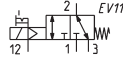
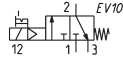


Mod.	Function	Flow rate (NL/min)	Operating pressure (bar)	Pilot pressure (bar)	Symbol
368-011-02	5/3 CC	700	2 ÷ 10	-	EV28
368-E11-02	5/3 CC	700	-0,9 ÷ 10	2 ÷ 10	EV29
378-011-02	5/3 CO	700	2-10	-	EV32
378-E11-02	5/3 CO	700	-0,9 ÷ 10	2 ÷ 10	EV34
388-011-02	5/3 CP	700	2 ÷ 10	-	EV36
388-E11-02	5/3 CP	700	-0,9 ÷ 10	2 ÷ 10	EV37

### 3/2-way solenoid valve, G1/4, monostable - Mod. 334... Mod 344...



These solenoid valves, which have electropneumatic actuation and spring return, are available in the NC (closed) or NO (open) version.

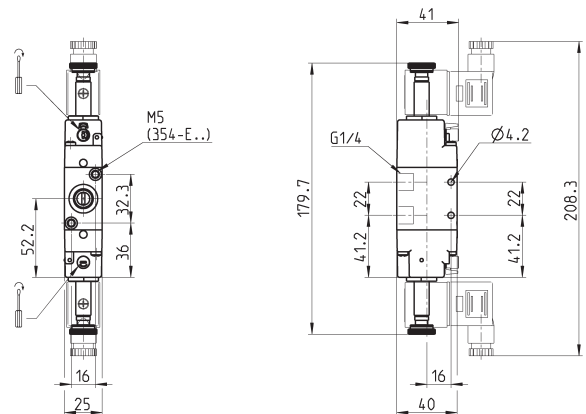
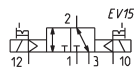
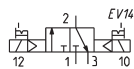


Mod.	Mounting	Function	Flow rate (NL/min)	Operating pressure (bar)	Pilot pressure (bar)	Symbol
334-015-02	in-line	3/2 NC	1300	2.5 ÷ 10	-	EV10
334-E15-02	in-line	3/2 NC	1300	-0.9 ÷ 10	2.5 ÷ 10	EV11
344-015-02	in-line	3/2 NO	1300	2.5 ÷ 10	-	EV12
344-E15-02	in-line	3/2 NO	1300	-0.9 ÷ 10	2.5 ÷ 10	EV13

### 3/2-way solenoid valve, G1/4, bistable - Mod. 334...



These solenoid valves, which have electropneumatic actuation and return assume the NC (closed) or NO (open) position depending on their last pulse received.

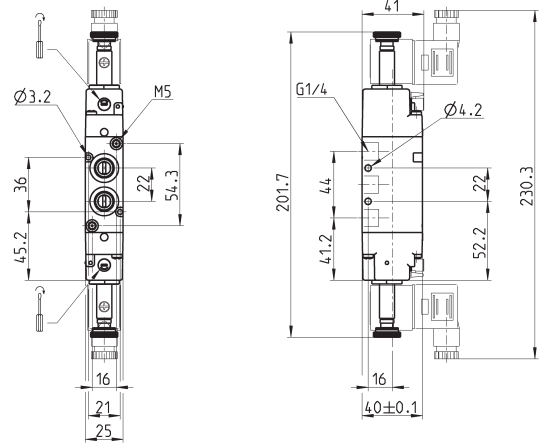
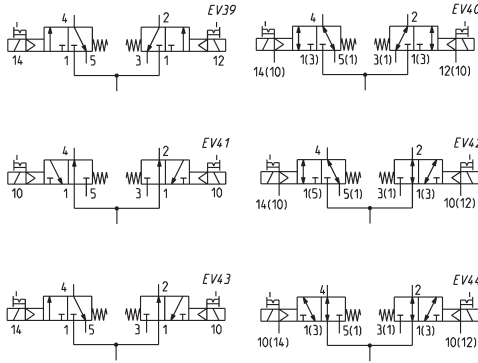


Mod.	Mounting	Function	Flow rate (NL/min)	Operating pressure (bar)	Pilot pressure (bar)	Symbol
334-011-02	in-line	3/2	1300	1.5 ÷ 10	-	EV14
334-E11-02	in-line	3/2	1300	1.5 ÷ 10	2.5 ÷ 10	EV15

## 2 x 3/2-way solenoid valve, G1/4 Mod. 334D... 344D... and 394D...



These solenoid valves are available in versions with 2 x 3/2 valves in the same valve.

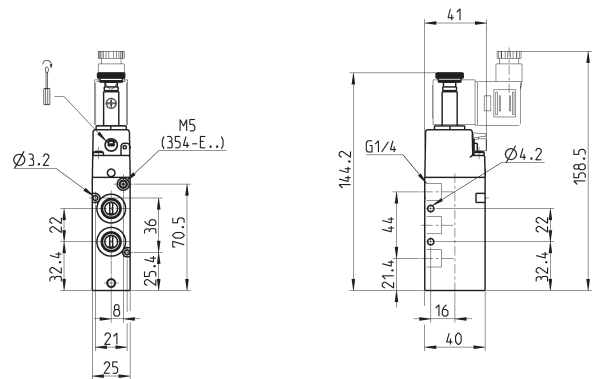
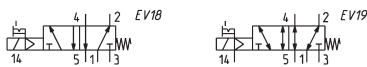


Mod.	Function	Flow rate (NI/min)	Operating pressure (bar)	Pilot pressure (bar)	Symbol
334D-015-02	2 x 3/2 NC	1200	2,5 ÷ 10	-	EV39
344D-015-02	2 x 3/2 NO	1050	2,5 ÷ 10	-	EV41
334D-E15-02	2 x 3/2 NC	1200	-0,9 ÷ 10	2,5 ÷ 10	EV40
344D-E15-02	2 x 3/2 NO	1050	-0,9 ÷ 10	2,5 ÷ 10	EV44
394D-015-02	1 x 3/2 NC + 1 x 3/2 NO	1050	2 ÷ 10	-	EV43
394D-E15-02	1 x 3/2 NC + 1 x 3/2 NO	1050	-0,9 ÷ 10	2,5 ÷ 10	EV42

## 5/2-way solenoid valve, G1/4, monostable - Mod. 354...



These solenoid valves, which have electropneumatic actuation and spring return, are suitable for operating double-acting cylinders.

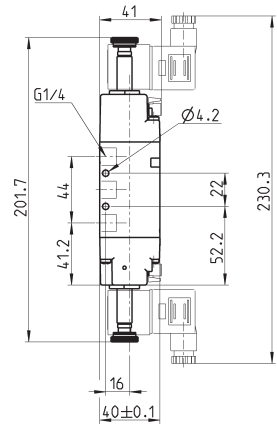
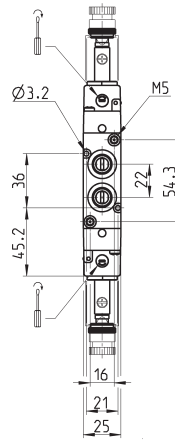
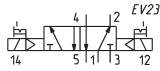


Mod.	Function	Flow rate (NI/min)	Operating pressure (bar)	Pilot pressure (bar)	Symbol
354-015-02	5/2	1300	2,5 ÷ 10	-	EV18
354-E15-02	5/2	1300	-0,9 ÷ 10	2,5 ÷ 10	EV19

**5/2-way solenoid valve, G1/4, bistable - Mod. 354...**



These solenoid valves, which have electropneumatic actuation and spring return, are suitable for operating double-acting cylinders.

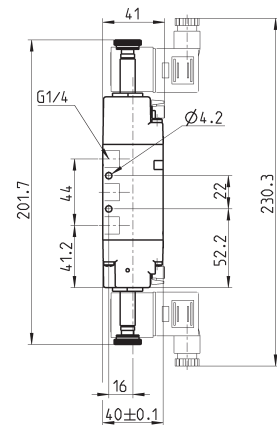
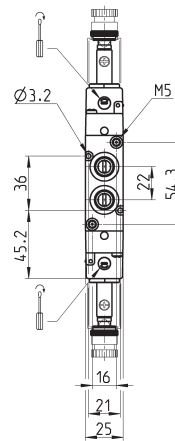
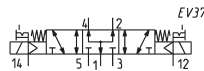
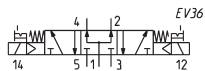
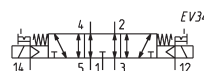
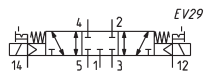
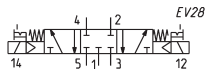


Mod.	Function	Flow rate (NL/min)	Operating pressure (bar)	Pilot pressure (bar)	Symbol
354-011-02	5/2	1300	1,5 ÷ 10	-	EV23
354-E11-02	5/2	1300	-0,9 ÷ 10	2,5 ÷ 10	EV25

**5/3-way solenoid valve, G1/4, - Mod. 364... Mod. 374... Mod. 384...**



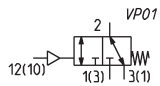
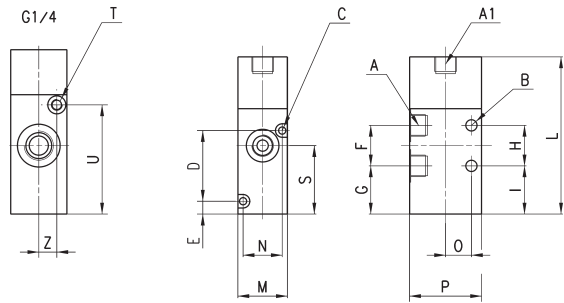
CC = Centres Closed CO = Centres Open CP = Pressure Centres



Mod.	Function	Flow rate (NL/min)	Operating pressure (bar)	Pilot pressure (bar)	Symbol
364-011-02	5/3 CC	1200	2,5 ÷ 10	-	EV28
364-E11-02	5/3 CC	1200	-0,9 ÷ 10	2,5 ÷ 10	EV29
374-011-02	5/3 CO	1200	2,5 ÷ 10	-	EV32
374-E11-02	5/3 CO	1200	-0,9 ÷ 10	2,5 ÷ 10	EV34
384-011-02	5/3 CP	1200	2,5 ÷ 10	-	EV36
384-E11-02	5/3 CP	1200	-0,9 ÷ 10	2,5 ÷ 10	EV37

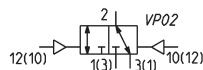
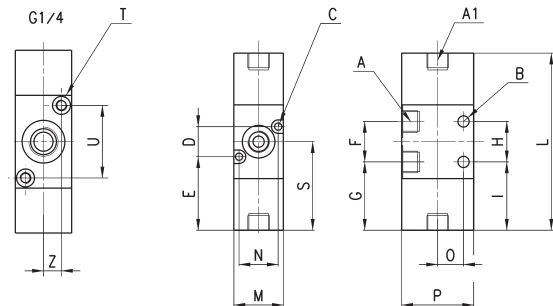


**3/2-way valve, G1/8 or G1/4, monostable**



DIMENSIONS																								
Mod.	Mounting	Function	Flow rate (NL/min)	Min. pilot press. (bar)	Working press. (bar)	A	A1	B	C	D	E	F	G	H	I	L	M	N	O	P	S	T	U	Z
338-035	in-line	3/2 NC	700	2.5	-0.9 ÷ 10	G1/8	G1/8	5	3.2	-	5.7	18	21.4	18	21.4	69.8	22	-	11.5	32	30.4	-	-	-
338L-035	on manifold	3/2 NC	700	2.5	-0.9 ÷ 10	G1/8	G1/8	-	3.2	31.4	5.7	18	21.4	-	21.4	69.8	22	17.4	11.5	32	30.4	-	-	-
334-035	in-line	3/2 NC	1300	3	-0.9 ÷ 10	G1/4	-	4.1	-	-	-	22	21.4	22	21.4	73	25	-	16	40	32.4	M5	48.5	8

**3/2-way valve, G1/8 or G1/4, bistable**

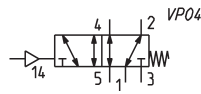
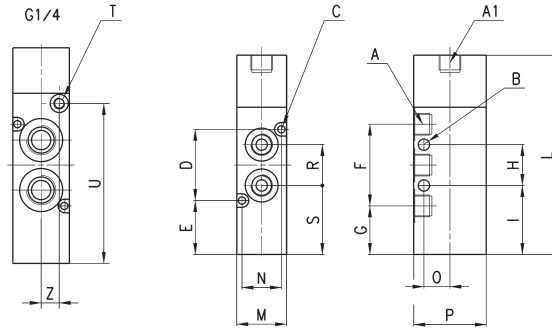


DIMENSIONS																								
Mod.	Mounting	Function	Flow rate (NL/min)	Min. pilot press. (bar)	Working press. (bar)	A	A1	B	C	D	E	F	G	H	I	L	M	N	O	P	S	T	U	Z
338-033	in-line	3/2	700	1.5	-0.9 ÷ 10	G1/8	G1/8	5	-	-	-	18	30.4	18	30.4	78.8	22	-	11.5	32	41.7	-	-	-
338L-033	on manifold	3/2	700	1.5	-0.9 ÷ 10	G1/8	G1/8	5	3.2	13.4	32.7	18	30.4	-	30.4	78.8	22	17.4	-	32	41.7	-	-	-
334-033	in-line	3/2	1300	2.5	-0.9 ÷ 10	G1/4	-	4.1	-	-	-	22	29.7	22	29.7	81.3	25	-	16	40	40.7	M5	32.3	8

**5/2-way valve, G1/8 or G1/4, monostable**



In-line or manifold mounting



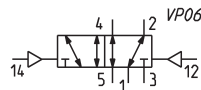
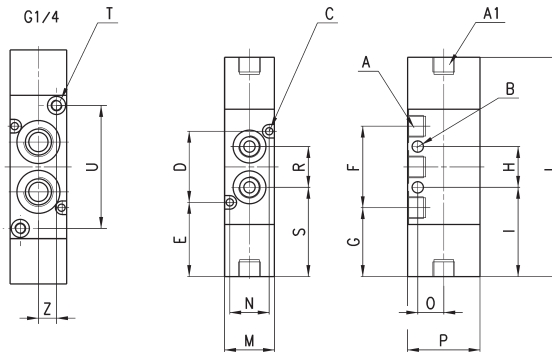
**DIMENSIONS**

Mod.	Function	Flow rate (NL/min)	min pilot press. (bar)	Working press. (bar)	A	A1	B	C	D	E	F	G	H	I	L	M	N	O	P	S	T	U	Z
358-035	5/2	700	2,5	-0,9 ÷ 10	G1/8	G1/8	5	3,2	31,4	23,8	36	21,4	18	30,4	87,8	22	17,4	11,5	32	30,4	-	-	-
354-035	5/2	1300	3	-0,9 ÷ 10	G1/4	-	4,1	3,2	36	25,4	44	21,4	22	30,4	95	25	21	16	40	32,4	M5	70,5	8

**5/2-way valve, G1/8 or G1/4, bistable**



In-line or manifold mounting



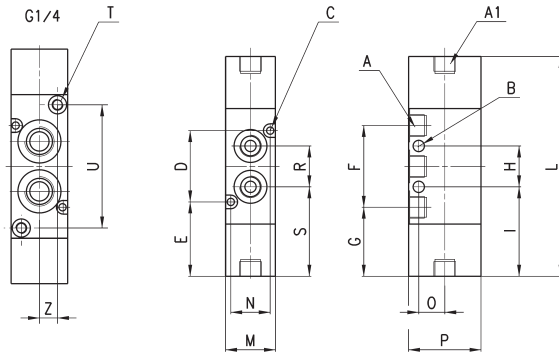
**DIMENSIONS**

Mod.	Function	Flow rate (NL/min)	min. pilot pressure (bar)	Working pressure (bar)	A	A1	B	C	D	E	F	G	H	I	L	M	N	O	P	S	T	U	Z
358-033	5/2	700	1,5	-0,9 ÷ 10	G1/8	G1/8	5	3,2	31,4	32,8	36	30,4	18	39,4	96,8	22	17,4	11,5	32	39,4	-	-	-
354-033	5/2	1300	2,5	-0,9 ÷ 10	G1/4	-	4,1	3,2	36	33,7	44	29,7	22	40,7	103,3	25	21	16	40	40,7	M5	54,3	8

### 5/3-way valve, G1/8 or G1/4



In-line or manifold mounting



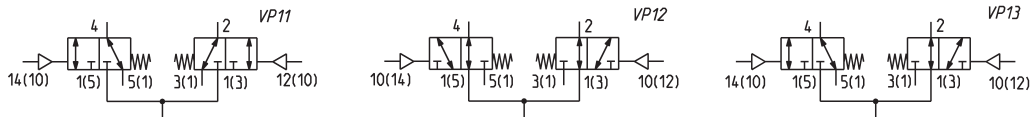
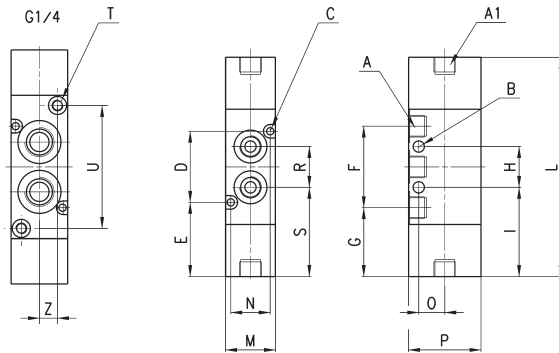
**DIMENSIONS**

Mod.	Function	Flow rate (NL/min)	Min. pilot pr. (bar)	Working pr. (bar)	A	A1	B	C	D	E	F	G	H	I	L	M	N	O	P	S	T	U	Z	Symb.
368-033	5/3 CC	700	2,5	-0,9 ÷ 10	G1/8	G1/8	5	3,2	31,4	32,8	36	30,4	18	39,4	96,8	22	17,4	11,5	32	39,4	-	-	-	VP08
364-033	5/3 CC	1200	2,5	-0,9 ÷ 10	G1/4	-	4,1	3,2	36	33,7	44	29,7	22	40,7	103,3	25	21	16	40	40,7	M5	54,3	8	VP08
378-033	5/3 CO	700	2,5	-0,9 ÷ 10	G1/8	G1/8	5	3,2	31,4	32,8	36	30,4	18	39,4	96,8	22	17,4	11,5	32	39,4	-	-	-	VP09
374-033	5/3 CO	1050	2,5	-0,9 ÷ 10	G1/4	-	4,1	3,2	36	33,7	44	29,7	22	40,7	103,3	25	21	16	40	40,7	M5	54,3	8	VP09
388-033	5/3 CP	700	2,5	-0,9 ÷ 10	G1/8	G1/8	5	3,2	31,4	32,8	36	30,4	18	39,4	96,8	22	17,4	11,5	32	39,4	-	-	-	VP10
384-033	5/3 CP	1050	2,5	-0,9 ÷ 10	G1/4	-	4,1	3,2	36	33,7	44	29,7	22	40,7	103,3	25	21	16	40	40,7	M5	54,3	8	VP10

### 2 x 3/2-way valve, G1/8 or G1/4



In-line or manifold mounting



**DIMENSIONS**

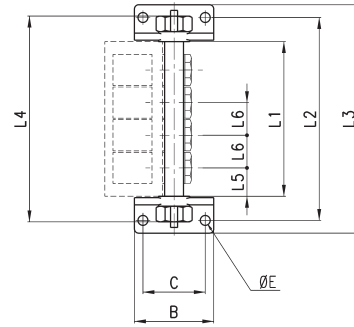
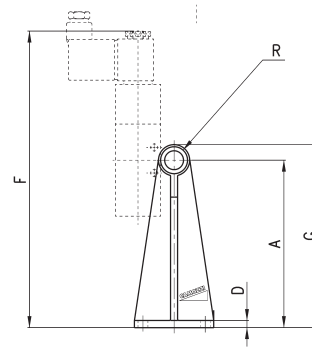
Mod.	Function	Flow rate (NL/min)	min. pilot pr. (bar)	Working pr. (bar)	A	A1	B	C	D	E	F	G	H	I	L	M	N	O	P	S	T	U	Z	Symb.
338D-035	2x3/2 NC	700	2,5	-0,9 ÷ 10	G1/8	G1/8	5	3,2	31,4	32,8	36	30,4	18	39,4	96,8	22	17,4	11,5	32	39,4	-	-	-	VP11
334D-035	2x3/2 NC	1050	2,5	-0,9 ÷ 10	G1/4	-	4,1	3,2	36	33,7	44	29,7	22	40,7	103,3	25	21	16	40	40,7	M5	54,3	8	VP11
348D-035	2x3/2 NO	700	2,5	-0,9 ÷ 10	G1/8	G1/8	5	3,2	31,4	32,8	36	30,4	18	39,4	96,8	22	17,4	11,5	32	39,4	-	-	-	VP12
344D-035	2x3/2 NO	1050	2,5	-0,9 ÷ 10	G1/4	-	4,1	3,2	36	33,7	44	29,7	22	40,7	103,3	25	21	16	40	40,7	M5	54,3	8	VP12
398D-035	2x3/2 NC/NO	700	2,5	-0,9 ÷ 10	G1/8	G1/8	5	3,2	31,4	32,8	36	30,4	18	39,4	96,8	22	17,4	11,5	32	39,4	-	-	-	VP13
394D-035	2x3/2 NC/NO	1050	2,5	-0,9 ÷ 10	G1/4	-	4,1	3,2	36	33,7	44	29,7	22	40,7	103,3	25	21	16	40	40,7	M5	54,3	8	VP13

### Manifold bars with separate exhausts (low version)



The following is supplied:

- 2x feet
- 1x manifold
- 1x inlet fitting
- 1x plug
- 4x washers



DIMENSIONS																
Mod.	Nr of valves	A	B	C	D	ØE	F	G	R	L1	L2	L3	L4	L5	L6	Suitable for Series
CNV-318-2	2	73	56	44	5	7	178	83	G1/4	63	97	115	99	20	23	3 - G1/8
CNV-318-3	3	73	56	44	5	7	178	83	G1/4	86	120	138	119	20	23	3 - G1/8
CNV-318-4	4	73	56	44	5	7	178	83	G1/4	109	143	161	142	20	23	3 - G1/8
CNV-318-5	5	73	56	44	5	7	178	83	G1/4	132	166	184	165	20	23	3 - G1/8
CNV-318-6	6	73	56	44	5	7	178	83	G1/4	155	189	207	188	20	23	3 - G1/8

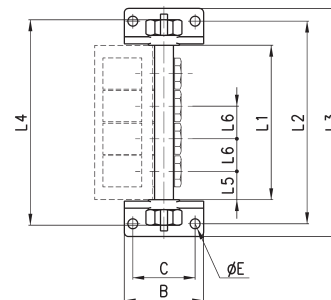
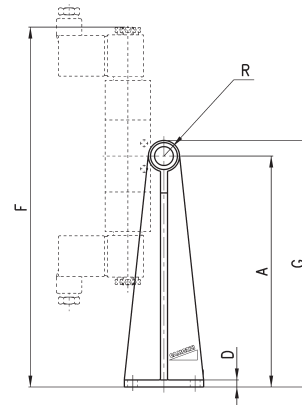
The fixing screws of the valves  
Mod. 1631 01-1/8 must be ordered  
separately.

### Manifold bars with separate exhausts (high version)



The following is supplied:

- 2x feet
- 1x manifold
- 1x inlet fitting
- 1x plug
- 4x washers



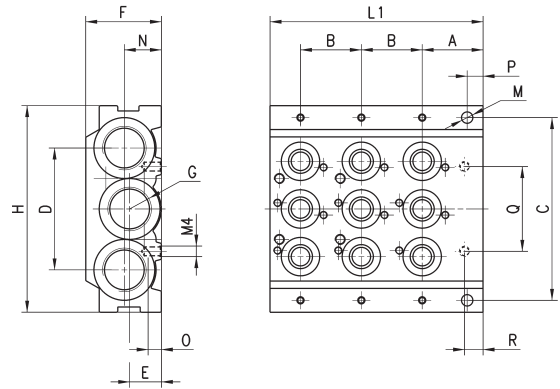
DIMENSIONS																
Mod.	Nr of valves	A	B	C	D	ØE	F	G	R	L1	L2	L3	L4	L5	L6	Suitable for Series
CNV-328-2	2	118	56	44	5	7	223	128	G1/4	63	97	115	99	20	23	3 - G1/8
CNV-328-3	3	118	56	44	5	7	223	128	G1/4	86	120	138	119	20	23	3 - G1/8
CNV-328-4	4	118	56	44	5	7	223	128	G1/4	109	143	161	142	20	23	3 - G1/8
CNV-328-5	5	118	56	44	5	7	223	128	G1/4	132	166	184	165	20	23	3 - G1/8
CNV-328-6	6	118	56	44	5	7	223	128	G1/4	155	189	207	188	20	23	3 - G1/8

The fixing screws of the valves  
Mod. 1631 01-1/8 must be ordered  
separately.

**Initial / final Module with three positions - Mod. CNVL-...**



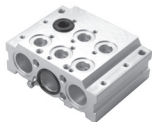
The following is supplied:  
 3x interface O-Rings manifold/manifold;  
 2x fixing nuts;  
 2x junction plugs;  
 9x interface seals valve/manifold (CNVL-3H3)  
 or 3x interface seals valve/manif. (CNVL-4H3);  
 6x fixing screws for valves



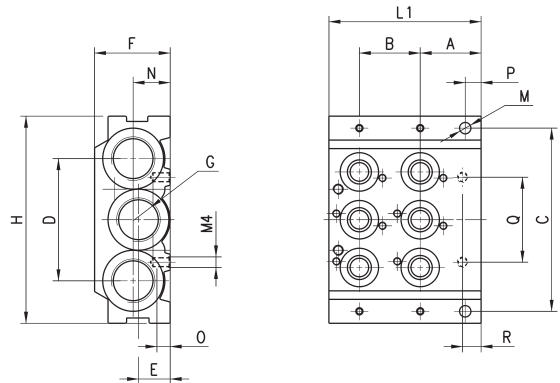
DIMENSIONS															
Mod.	A	B	C	D	E	F	H	L1	M	N	O	P	Q	R	G
CNVL-3H3	23	23	69,5	46	12	29	78	80,5	4,3	14	5	6	32	7	3/8
CNVL-4H3	26	26	88	60	14	29	98	91	4,3	-	5	5	38	7	1/2

CNVL-3H3: for Series 3, G1/8  
 CNVL-4H3: for Series 3, G1/4

**Initial / final Module with 2 positions - Mod. CNVL-...**



Initial module with 2 positions  
 The following is supplied:  
 3x interface O-Rings manifold/manifold;  
 2x fixing nuts;  
 2x junction plugs;  
 6x interface seals valve/manifold (CNVL-3H2)  
 or 2x interface seals valve/manif. (CNVL-4H2);  
 4x fixing screws for valves



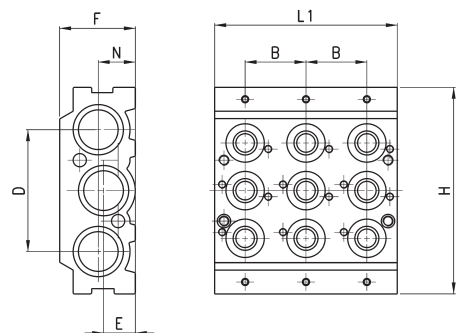
DIMENSIONS															
Mod.	A	B	C	D	E	F	H	L1	M	N	O	P	Q	R	G
CNVL-3H2	23	23	69,5	46	12	29	78	57,5	4,3	14	5	6	32	7	3/8
CNVL-4H2	26	26	88	60	14	29	98	65	4,3	-	5	5	38	7	1/2

CNVL-3H2: for Series 3, G1/8  
 CNVL-4H2: for Series 3, G1/4

**Intermediate module with 3 positions - Mod. CNVL-...**



The following is supplied:  
 3x interface O-Rings manifold/manifold;  
 2x fixing nuts;  
 2x junction plugs;  
 9x interface seals valve/manifold (CNVL-3I3)  
 or 3x interface seals valve/manif. (CNVL-4I3);  
 6x fixing screws for valves



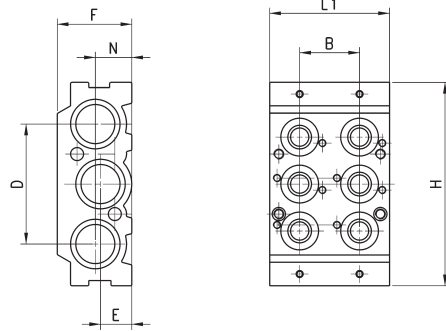
DIMENSIONS							
Mod.	B	D	E	F	H	L1	N
CNVL-3I3	23	46	12	29	78	69	14
CNVL-4I3	26	60	14	29	98	78	-

CNVL-3I3: for Series 3, G1/8  
 CNVL-4I3: for Series 3, G1/4

### Intermediate module with 2 positions - Mod. CNVL-...



The following is supplied:  
 3x interface O-Rings manifold/manifold;  
 2x fixing nuts;  
 2x junction plugs;  
 6x interface seals valve/manifold (CNVL-312)  
 or 2x interface seals valve/manif. (CNVL-412);  
 4x fixing screws for valves



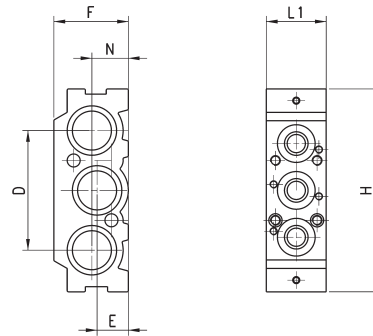
DIMENSIONS							
Mod.	B	D	E	F	H	L1	N
CNVL-312	23	46	12	29	78	46	14
CNVL-412	26	60	14	29	98	52	-

CNVL-312: for Series 3, G1/8  
 CNVL-412: for Series 3, G1/4

### Intermediate module with 1 position - Mod. CNVL-...



The following is supplied:  
 3x interface O-Rings manifold/manifold;  
 2x fixing nuts;  
 2x junction plugs;  
 3x interface seals valve/manifold (CNVL-311)  
 or 1x interface seal valve/manif. (CNVL-411);  
 2x fixing screws for valves



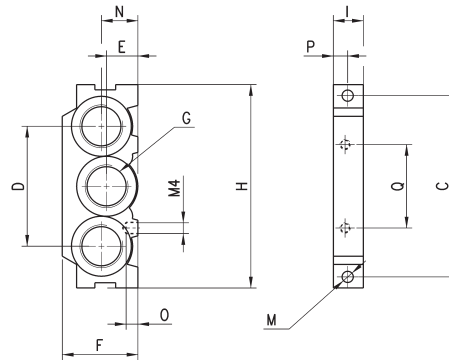
DIMENSIONS						
Mod.	D	E	F	H	L1	N
CNVL-311	46	12	29	78	23	14
CNVL-411	60	14	29	98	26	-

CNVL-311: for Series 3, G1/8  
 CNVL-411: for Series 3, G1/4

### Terminal module Mod. CNVL-\*H



The following is supplied:  
 2x fixing nuts



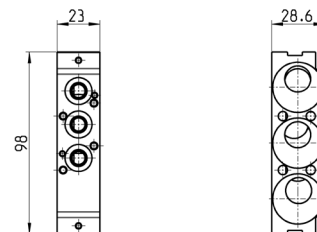
DIMENSIONS												
Mod.	C	D	E	F	H	I	M	N	O	P	Q	G
CNVL-3H	69,5	46	12	29	78	11,5	4,3	14	5	6	32	3/8
CNVL-4H	88	60	14	29	98	13	4,3	-	5	8	29	1/2

CNVL-3H: for Series 3, G1/8  
 CNVL-4H: for Series 3, G1/4

### Interface module manifold between Series 3 G1/8 and G1/4



The following is supplied:  
 3x interface seal  
 2x screws  
 2x pins  
 4x plugs  
 6x O-Rings



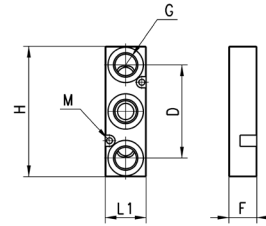
Mod.
CNVL-4H-3H

It is possible to seat 1 valve, series 3 with G1/8 port.

### Intermediate plate for additional inlet and exhaust pressure



The following is supplied:  
 3x O-Rings  
 2x fixing screws



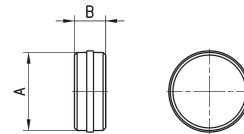
DIMENSIONS							
Mod.	G	H	M	F	L1	D	F
CNVL-3P	G1/4	70	3.2	29	22	50	15
CNVL-4P	G1/4	73	3.2	29	25	50	20

CNVL-3P: for Series 3, G1/8  
 CNVL-4P: for Series 3, G1/4

### Separation diaphragm



For separation of channel: 1 - 3 - 5.  
 The following is supplied:  
 1x diaphragm

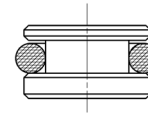


DIMENSIONS			
Mod.	A	B	
CNVL-3H-TP	15.6	6	for Series 3, G1/8
CNVL-4H-TP	23.8	8	for Series 3, G1/4

### Blanking plug Mod. TCNVL for manifolds



The following is supplied:  
 1x blanking plug  
 1x O-Ring



Mod.	
TCNVL/3	for Series 3, G1/8
TCNVL/5	for Series 3, G1/4

### Blanking plate Mod. CNVL for manifolds

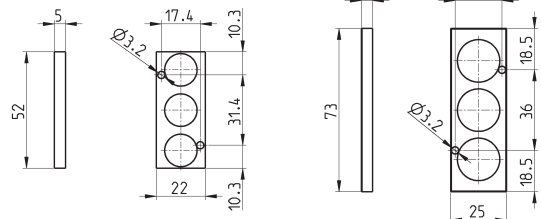
It is used to blank vacant positions of a manifold.



The following is supplied:  
 2x fixing screws  
 3x O-Rings

CNVL/1

CNVL/4



Mod.	
CNVL/1	for Series 3, G1/8
CNVL/4	for Series 3, G1/4