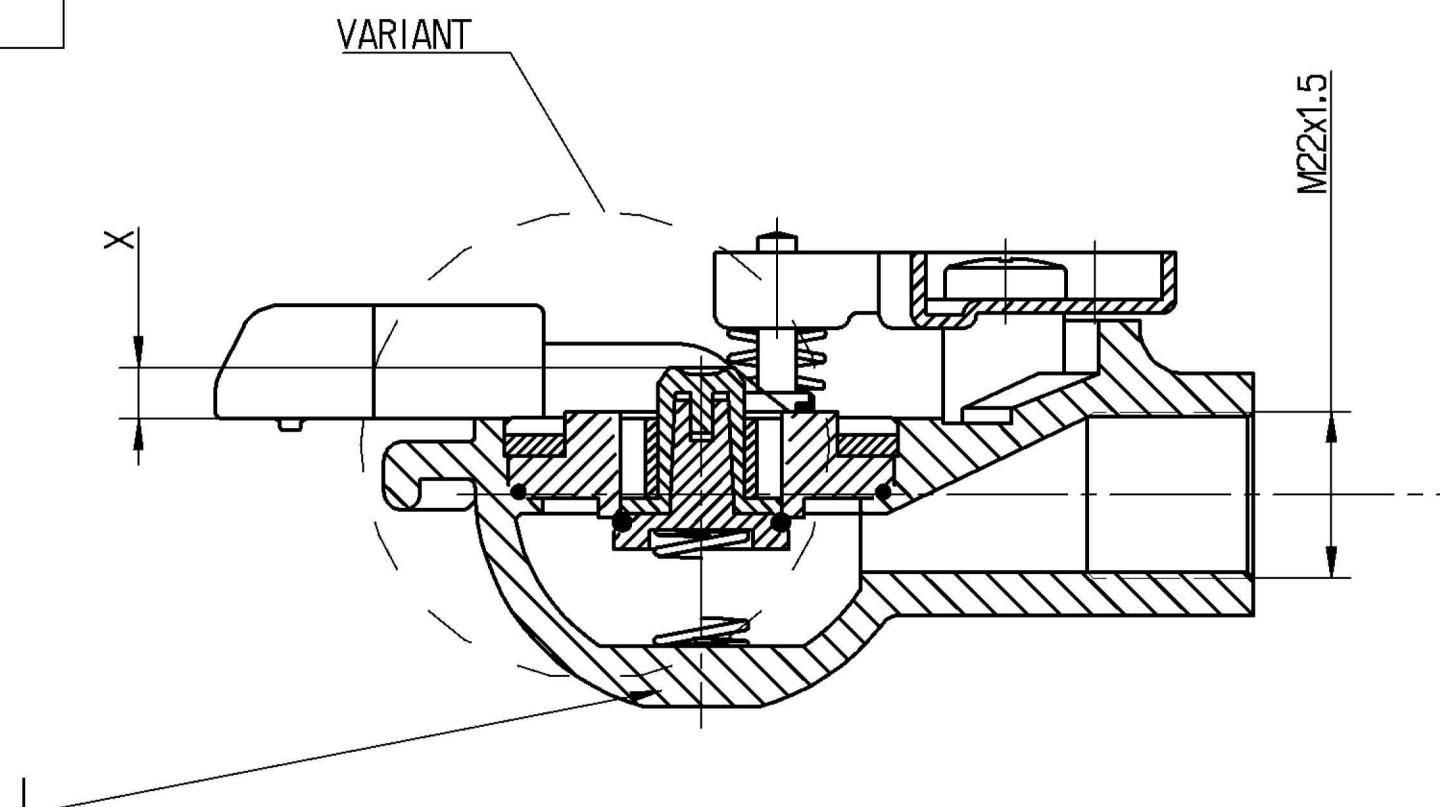
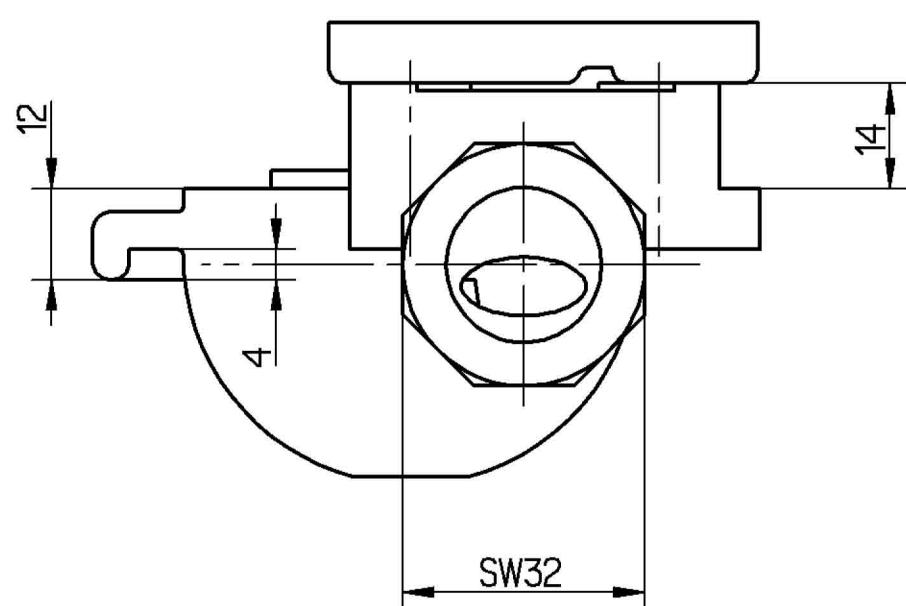
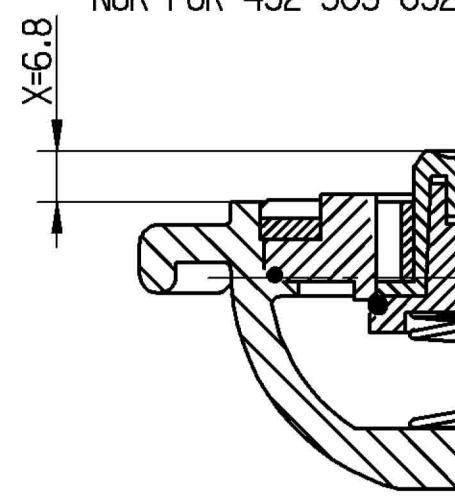


JED-016M1	JED-240	BODY, GEHAEUSE, CORPO, CORPS USINE
POM	-	COVER, DECKEL, COUVERCLE, COPERCHIO
8.8	JED-257	SCREW, SCHRAUBE, VIS, VITE

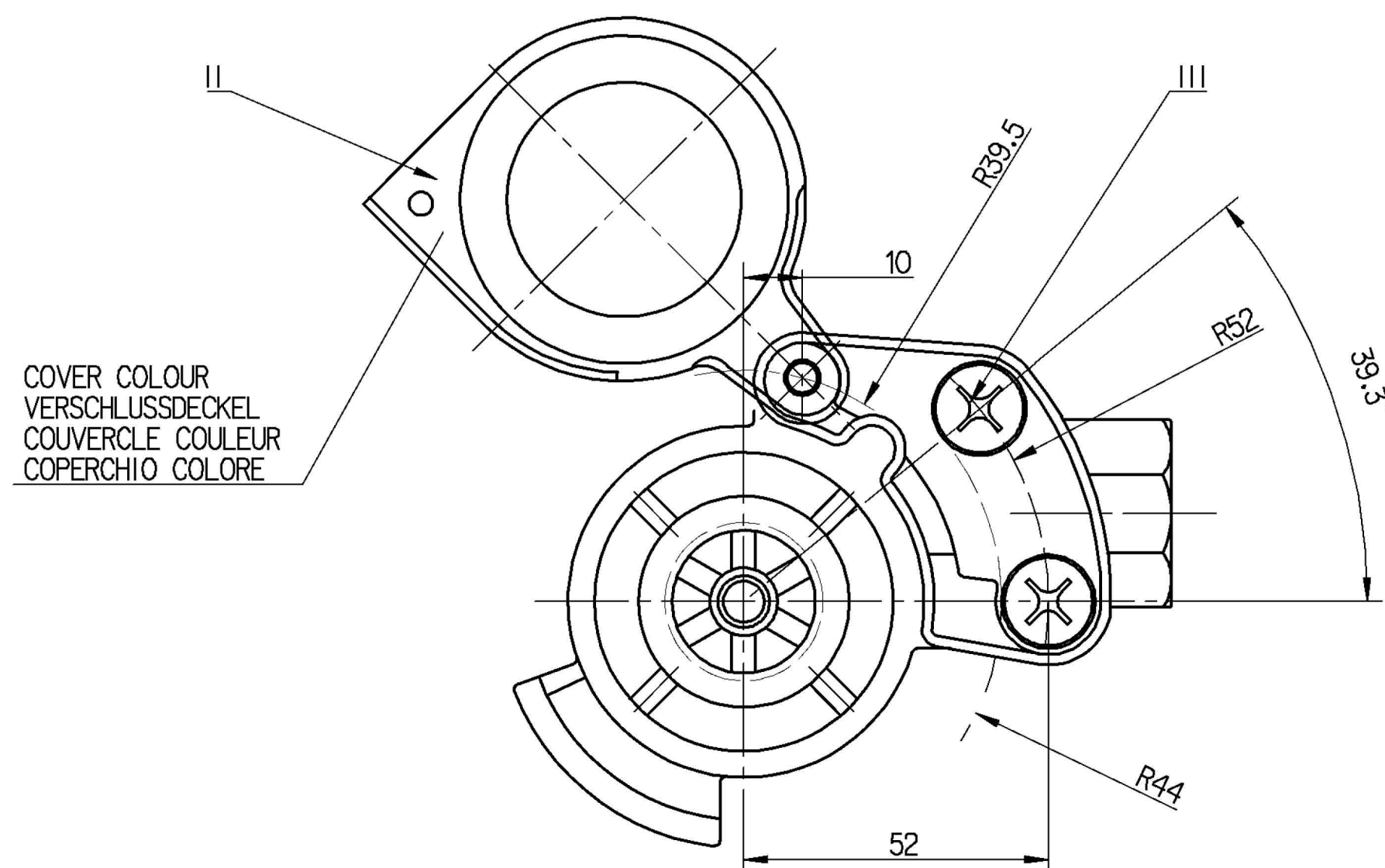
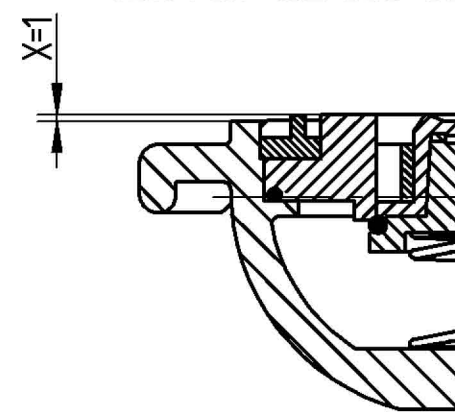


SYMBOL SYMBOLE SIMBOLO	
WORKING POSITION EINBAULAGE POSITION DE FONCTIONNEMENT POSIZIONE DI FUNZIONAMENTO	UNIMPORTANT BELIEBIG INDIFFERENTE INDIFFERENTE
WORKING MEDIUM ARBEITSMEDIUM FLUIDE D'UTILISATION FLUIDO DI ESERCIZIO	COMPRESSED AIR DRUCKLUFT AIR COMPRIE ARIA COMPRESSA
AMBIENT MEDIUM UMGEBUNGSMEDIUM FLUIDE AMBIANT FLUIDO AMBIENTE	AIR (CONTAINING WATER DUST AND OIL) LUFT (WASSER-, STAUB- UND OELHALTIG) AIR (HUMIDE, HUILEUX POUSSIEREUX) ARIA (ACQUA, POLVERE ED OLIO INQUINATO)
WORKING TEMPERATURE THERMISCHER ARBEITSBEREICH TEMPERATURE DE FONCTIONNEMENT TEMPERATURA DI UTILIZZAZIONE	-40°+80°C
MAX INLET PRESSURE MAX BETRIEDSDRUCK PRESSION D'ALIMENTATION MAXI PRESSIONE MASSIMA D'ALIMENTAZIONE	10 BAR

VARIANT B
ONLY FOR 452 303 032 0
NUR FUR 452 303 032 0



VARIANT A
ONLY FOR 452 303 031 0
NUR FUR 452 303 031 0



COVER COLOUR
VERSCHLUSSECKEL
COUVERCLE COULEUR
COPERCHIO COLORE

Z,Y: TORQUE
Z,Y: ANZUGSMOMENT
Z,Y: COUPLE DE SERRAGE
Z,Y: COPPIA DI SERRAGGIO
30±2 Nm

SUPPLY
LUFTZUFUHR
ALIMENTATION
ALIMENTAZIONE

452 303 032 0	B	CONTROL LINE BREMSLEITUNG / STEUERLEITUNG CONDUITE DE COMMANDE	YELLOW GELB JAUNE GIALLO	6.8
452 303 031 0	A	SUPPLY LINE VORRATSLEITUNG / SPEISELEITUNG CONDUITE D'ALIMENTATION CONDOTTO DI SERVIZIO	RED ROT ROUGE ROSSO	1.0
IDENTIFICATION BENENNUNG DENOMINATION DENOMINAZIONE	VARIANT ABWANDLUNG VARIANTE VARIANTE	APPLICATION EINSATZ UTILISATION UTILIZZAZIONE	COLOUR FARBE COULEUR COLORE	X

GENERAL SPECIFICATION: JED-334-0		Pro/ENGINEER DRAWING COPYRIGHT		WABCO	
FURTHER TECHNICAL DATA:		DATE: 05-09-02			
DOC. CODE:		SHEET: TO		DRAWN: LASKA	
GENERAL TOLERANCES				CHECKED: GRZYBOWSKI	
RANGE OF NOMINAL DIMENSIONS (± mm)				EXPERT CODE: 804	
CLASS	1)	≤ 50	> 50 ≤ 180	> 180 ≤ 400	> 400
FINE		0.5	1.0	1.5	2.0
MEDIUM	x	1.0	2.0	3.0	4.0
COARSE		2.0	3.5	5.0	6.5
TAPPED HOLES ACC. ISO 4039 / JED-152					
1) TOLERANCE CLASS APPLIED CROSSMARKED					
TAPPED HOLES ACC. ISO 4039 / JED-152		DCN-NO.	REV.	DATE	
MASS: 0.2 KG		SCALE: 1:1		PRODUCT IDENTIFICATION NO.:	
SIZE: TRI		A 2 037		952 897 011 0	
FUNCTION CODE		SHAPE CODE		PRODUCT TYPE	
REPLACEMENT FOR				DOC. CODE: 653	
				SHEET: 1/1	