

MICRO SWITCH
a Honeywell Division

FED. MF6. CODE 91929

SWITCH - BASIC

CATALOG LISTING

BZ-R1691

REPLACES X114671-BZ

RELEASE NO. 207040

PAGE 1 OF 1

ISSUE 1

CHECK

REVISIONS

CHECK

11 DEC 02

SAV

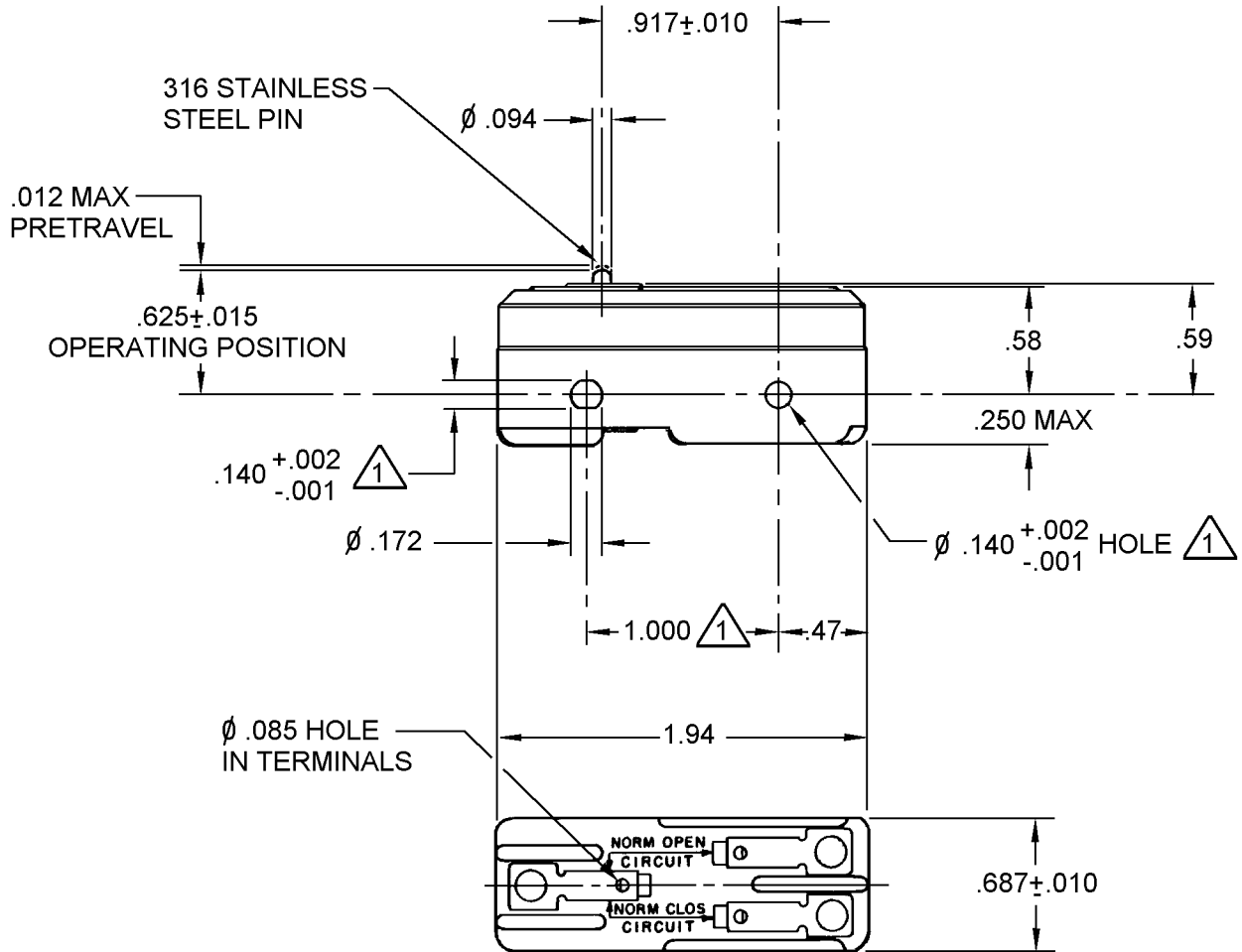
CHECK

11 DEC 02

RASTER

DRAWN

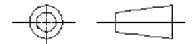
C S L



NOTE
① MOUNTING HOLES WILL ACCEPT PINS OR SCREWS OF $\phi .139$ MAX ON $1.000 \pm .002$ CENTERS

THIS DRAWING COVERS A PROPRIETARY ITEM AND IS THE PROPERTY OF MICRO SWITCH, A DIVISION OF HONEYWELL. THIS DRAWING IS NOT TO BE COPIED OR USED WITHOUT THE APPROVAL OF MICRO SWITCH.

THIRD ANGLE PROJECTION



CHARACTERISTICS

OPERATING FORCE	7 - 9 OZ
RELEASE FORCE	4 OZ MIN
DIFFERENTIAL TRAVEL	.0004-.0007
OVERTRAVEL	.005 MIN

ELECTRICAL DATA

CONTACT ARRANGEMENT
S P D T

L96

15A 125, 250 OR 480 VAC
1/8HP 125 VAC, 1/4HP 250 VAC
1/2A 125 VDC, 1/4A 250 VDC



SCALE FULL

DO NOT SCALE PRINT

UNLESS OTHERWISE SPECIFIED TOLERANCES ARE

ONE PLACE (.0)	±.030
TWO PLACE (.00)	±.015
THREE PLACE (.000)	±.005
ANGLES	±

WEIGHT .050 LB