

ELECTRONIC CAM CONTROLS



- ▶ Conventional cam controls
- ▶ Multifunctional devices
- ▶ Expandable devices for DIN-rail mounting
- ▶ High-speed devices
- ▶ Cam controls integrated in encoder housing
- ▶ Cam controls with Fieldbus- and PROFIBUS interface
- ▶ Operating and display terminals
- ▶ Comfortable PC-programming
- ▶ Absolute rotary encoders
- ▶ Pre-assembled cables
- ▶ Dynamic switching accelerators



**FAST SWITCHING -
EVEN IN CASE OF DYNAMIC SPEEDS**



Deuschmann
your ticket to all buses

Contents

| | |
|---|----|
| Foreword..... | 3 |
| Conventional cam controls up to 16 outputs | |
| LOCON 16 and LOCON 17..... | 4 |
| Technical data LOCON 16 and LOCON 17..... | 6 |
| Multifunctional devices 24 - 64 outputs | |
| LOCON 24 and 48..... | 8 |
| Technical data LOCON 24 and LOCON 48..... | 10 |
| Expandable devices for DINrail mounting | |
| LOCON 200..... | 12 |
| LOCON 100..... | 13 |
| LOCON 90..... | 14 |
| Model Overview LOCON 90 / 100 / 200..... | 15 |
| Technical data LOCON 100..... | 16 |
| Technical data LOCON 200 and LOCON 90..... | 18 |
| Cam Control integrated in the ecoder's housing | |
| ROTARNOCK series..... | 20 |
| Technical data ROTARNOCK 100..... | 22 |
| Operating and display terminals | |
| TERM 6 and TERM 24..... | 24 |
| Comfortable PC-Programming | |
| WINLOC 32®..... | 26 |
| Absolute rotary encoders | |
| Rotary encoder..... | 28 |
| Dynamic switching accelerator SPEEDY..... | 36 |
| Accessories..... | 40 |
| Glossary..... | 42 |

Foreword

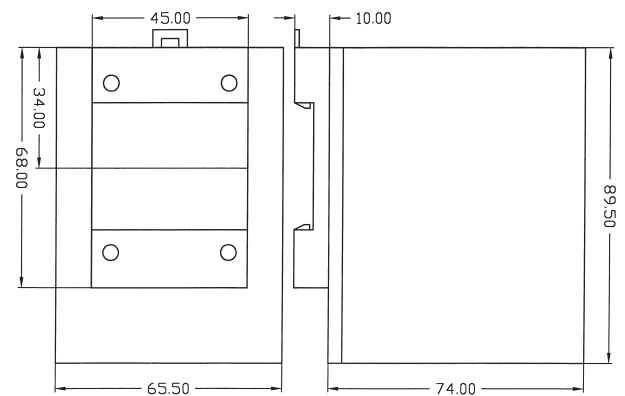
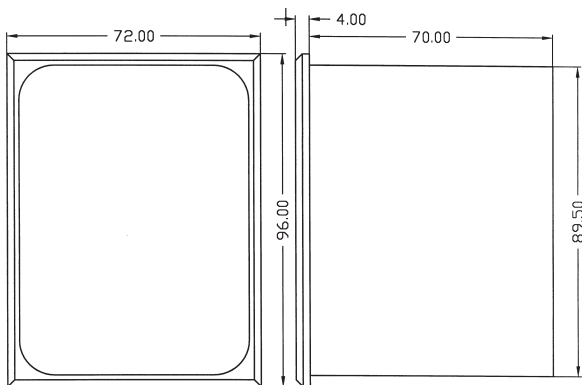
- Development and production of electronic cam controls since 1982.
- Since 1990 the brand names LOCON and ROTARNOCK stand for reliable and fast electronic cam controls.
- LOCON – The classical concept of separate control and separate actual value acquisition.
- ROTARNOCK – The intelligent solution: cam control and actual value acquisition combined in one housing.
- There is no standing still and we are continuously working on the further development of our products and the expansion of our product range. Thus the LOCON and ROTARNOCK series were adapted to the current market needs with new models. We were inspired especially through the implementation of the Fieldbus connection associated with modern control and configuration concepts.



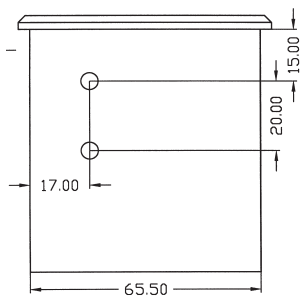
LOCON 16 and LOCON 17

Multifunctional and compact

The compact solution in DIN-format 72 mm x 96 mm (width x depth) at an overall depth of 70 mm only. With its integrated operating keyboard the unit is installed into the front plate; the version without keyboard is mounted on a DIN-rail. The „4-key user interface“ has proven its worth many thousand times and it can be operated easily after a short training period. The basic version features 16 outputs, 16 programs, blockwise idle time compensation.

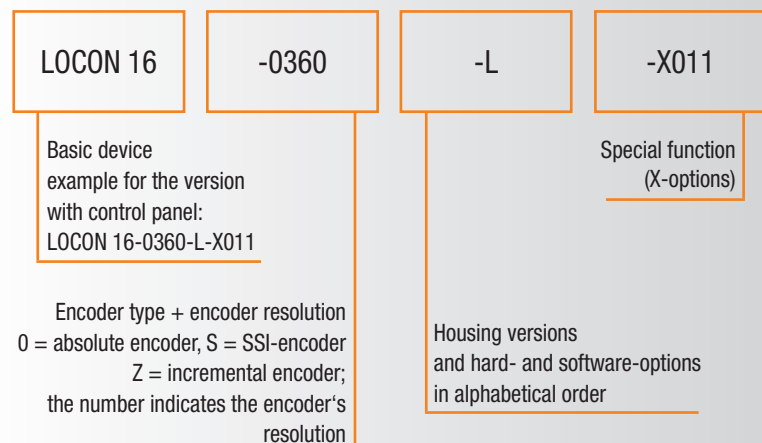


LOCON 16PM, LOCON 17PM for DINrail



LOCON 16, 17 mit Frontplatte

Structure of the order code



Note:

For the incremental encoder version (Z) the encoder resolution only has to be indicated in connection with the option speed indication.

Basic device

| Option | Meaning | Excludes or only possible with the option | L16 | L17 |
|--------|---|---|------|------|
| 0360 | Version for absolute encoder parallel 360 inf./rev. | All other resolutions | ● | ● |
| 01000 | Version for absolute encoder parallel 1000 inf./rev. | All other resolutions | ● | ● |
| 04096 | Version for absolute encoder parallel 4096 inf./rev. | All other resolutions | - | ● |
| On | Version for absolute encoder parallel (n=encoder's resolution) | All other resolutions | - | ● |
| S1024 | Version for SSI-absolute encoder 1024 inf./rev. | All other resolutions | ● | ● |
| S4096 | Version for SSI-absolute encoder 4096 inf./rev. | All other resolutions | - | ● |
| MT | Version for SSI-absolute encoder 24 bit | All other resolutions | - | - |
| Zn | Version for incremental encoder (n=indicate encoder's resolution at speed indication): counting range in increments | All other resolutions | 1024 | 4096 |
| PM | Version available without integrated control panel | | ② | ② |

Hard- and software-options

| Code | Meaning | Excludes or only possible with the option | L16 | L17 |
|------|---|---|-----|-----|
| Cn | Automatic clear position (n=enter the required value) | Only for devices with Z | ■ | ■ |
| D | Position / speed indication Switchover takes place depending on the speed indication | | ■ | ● |
| H | Faster processor for lower cycle times | | - | ■ |
| I | Bitwise idle time compensation | Not with L, LT | - | ● |
| L | Blockwise idle time compensation | Not with L, LT | ● | x |
| LT | Blockwise idle time compensation with separate turn on/ turn-off time | Not with I, L | - | ■ |
| P | Screw-plug-connector for an encoder connection instead of a connection via a 25-pole D-SUB | | ■ | ■ |
| P108 | Switching capacity 1A on 8 outputs | | ■ | ■ |
| P116 | Switching capacity 1A on 16 outputs | | ■ | ■ |
| R | Run control function on output 16 | | ■ | ■ |
| T | Timer/program switch | | x | x |
| U | Direction cams depending on the sense of rotation | | ■ | ■ |
| V0 | Rotation speed/position change-over definable by the customer | Not with Vn, requires D | ■ | ■ |
| Vn | Locked outputs (outputs can only be changed by entering a password); n=number of locked outputs; max. 15 possible | Requires option A; not with option V0 | ■ | ■ |
| Y | Partial idle time compensation | Available with I or L | - | x |
| 232 | Interface RS232 | Not with option 485 | ① | ① |
| 485 | Interface RS485-DICNET® (network of up to 16 DA cam controls) | Not with option 232 | ① | ① |
| X004 | Four output-enable inputs | Not with P | - | ■ |
| X011 | Speed indication scaled to customer's value | Requires option D, O, S | ■ | ■ |
| X016 | Brake cam with quadratic idle time compensation | | - | ■ |
| X? | Customized version | On request | ■ | ■ |
| Z | Encoder type incremental 24V signal voltage | | x | x |

- = Standard ■ = Optionally for an additional charge x = Optionally at no additional charge
 ① = RS232/485 switchover on board ② = Device is alternatively available with or without integrated control panel

Technical data LOCON 16 and LOCON 17

| | Characteristics | LOCON 16 | LOCON 16PM | LOCON 17 | LOCON 17PM |
|---|---|--|--|--|--|
| Available versions | - with integrated keypad - without integrated keypad | ● - | - ● | ● - | - ● |
| Installation | - front panel installation - DINrail | ● - | - ● | ● - | - ● |
| Outputs | | 16 | 16 | 16 | 16 |
| Storable outputs | | 16 | 16 | 16 | 16 |
| Data records (incl. output names) (number of switch-on-/switch-off points) | | 1936 | 1936 | 1936 | 1936 |
| Actual value acquisition | - incremental encoder - counting range incremental - absolute encoder parallel Gray excess - absolute encoder parallel Gray code to bit-number - absolute encoder SSI Gray code - counting/direction inputs for incremental encoder - timer function (value is generated internally) | 1024 360, 1000 - 360, 1024 ■ 1-65535 ms | 1024 360, 1000 - 360, 1024 ■ 1-65535 ms | 4096 360, 720, 1000, 3600 9...12 360, 1024, 4096 ■ 1-65535 ms | 4096 360, 720, 1000, 3600 9...12 360, 1024, 4096 ■ 1-65535 ms |
| Idle time compensation (dynamic cam) | - blockwise - bitwise - separate I/O - entering the idle time in steps - partial idle time compensation | ● - - 1ms - 999ms - | ● - - 1ms - 999ms - | x ● ■ 1ms - 999ms x | x ● ■ 1ms - 999ms x |
| Cycle time in some configurations the idle time might be higher, in case of using the high-speed-version it might also be lower | - without idle time compensation (ITC) - with blockwise ITC - with bitwise ITC - with blockwise I/O ITC - high-speed-version for a lower cycle time | 500µs 500µs - - - | 500µs 500µs - - - | 150µs 200µs 550µs 550µs ■ ab 60µs | 150µs 200µs 550µs 550µs ■ ab 60µs |
| Software characteristics: zero point offset cams are interchangeable linewise angle/time cams direction cams lockable outputs | - within the complete range | ● ● - ■ ■ | ● ● - ■ ■ | ● ● - ■ ■ | ● ● - ■ ■ |
| Run-control-function | | ■ ²⁾ | ■ ²⁾ | ■ ²⁾ | ■ ²⁾ |
| Speed indicator | | ■ ¹⁾ | ■ ¹⁾ | ■ ¹⁾ | ■ ¹⁾ |
| Inputs | - for encoder signal - for program selection - for program change - for program release | 10 4 1 1 | 10 4 1 1 | 12 4 1 1 | 12 4 1 1 |
| Logic functions | - logic inputs - extensive logic functions - shift register | - - - | - - - | ■ 4 enable-function (X04) - | ■ 4 enable-function (X04) - |
| Programming | - teach-in programming - via integrated keypad - via Deuschmann terminal - via PC (WINLOC 32®-software) - via cam control profile | ● ● ● ● ● | ● - ● ● ● | ● ● ● ● ● | ● - ● ● ● |
| Data backup | - EEPROM (min. 100 years) - via transfer program on PC | ● ● | ● ● | ● ● | ● ● |
| Display seven-segment indication | - for position - for speed | 6 digits ● ■ ¹⁾ | - - - | 6 digits ● ■ ¹⁾ | - - - |

| | Characteristics | LOCON 16 | LOCON 16PM | LOCON 17 | LOCON 17PM |
|---------------------------------------|--|------------------------------|------------------------------|------------------------------|------------------------------|
| Status display for | - outputs - programming status - external program selection - SSI-Control - error-display - run-Control | ● ● ● - ● ■ | ● ● ● - ● ■ | ● ● ● - ● ■ | ● ● ● - ● ■ |
| Interface | - RS232 - RS485-DICNET [®] | ● switchable ● switchable | ● switchable ● switchable | ● switchable ● switchable | ● switchable ● switchable |
| Voltage supply 24VDC +/-20% | | ● | ● | ● | ● |
| Max. power consumption (without load) | | 200mA | 200mA | 200mA | 200mA |
| Output driver max. load | - 300 mA each output, max. 1A for 8 outputs at a time at 25°C ambient temperature - 700 mA each output, temporarily also 1A each output - outputs positive switched, short-circuit-proof | ● ■ 8/16 outputs ● | ● ■ 8/16 outputs ● | ● ■ 8/16 outputs ● | ● ■ 8/16 outputs ● |
| Analog outputs | - current output - voltage output | - - | - - | - - | - - |
| Dimensions basic device in mm | - width - height - depth | 72 96 70 | 65,5 89,5 74 | 72 96 70 | 65,5 89,5 74 |
| Front panel cutout | | 90 x 66 | - | 90 x 66 | - |
| Protection class | | IP54 | IP20 | IP54 | IP20 |
| Weight in grams | | 580 | 580 | 580 | 580 |

● = Standard

■ = Optionally for an additional charge

x = Optionally at no additional charge

¹⁾ = RS232/485 switchover on board

²⁾ = Device is alternatively available with or without integrated control panel

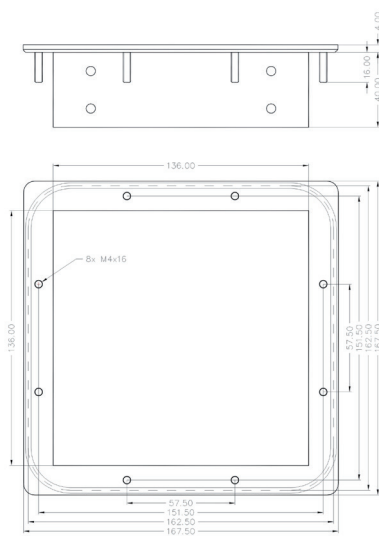
LOCON 24 and 48

The Multifunctionals

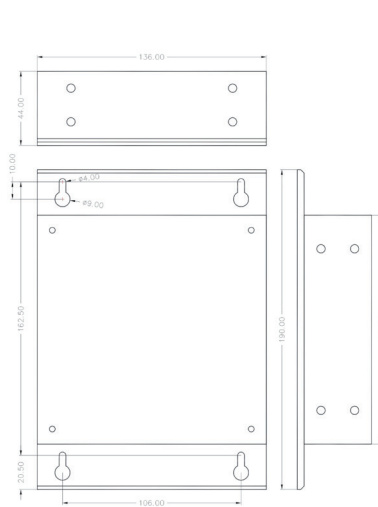
Compact series with DIN size of 144 x 144 mm. With an overall depth of 44 mm only, these models feature 24, 32 or 48 outputs. 64 programs can be selected either via the integrated control panel or that can be selected externally, a memory of 1000 data records as well as an extensive range of functions round off the features.

The version with integrated control panel for front panel installation

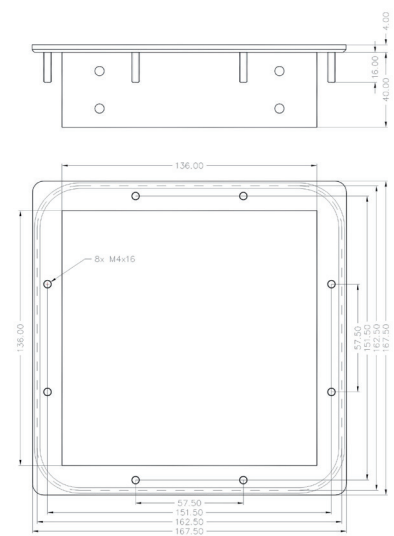
(either IP54 or IP65) offers the operating convenience you are looking for: Seven-segment display for position and speed, 2-line LCD with a multi-lingual, user-configurable menu, and both, a decimal keypad and a function keypad.



LOCON 24, 48 with front panel IP65



LOCON 24, 48 PM for mounting plate



LOCON 24, 48 with front panel IP54

Structure of the order code

LOCON 24

-0360

-I

-IP65

Basic device, example for the version with control panel:
LOCON 24-0360-I-IP65

Special functions
(X-options)

Encoder type + encoder resolution
0 = absolute encoder, S = SSI-encoder
Z = incremental encoder;
the number indicates the encoder's resolution
For incremental encoder versions (Z) the
encoder's resolution for the rotation speed has
to be indicated.

Hard- and software-options in
alphabetical order

Basic device

| Option | Meaning | Excludes or only possible with the option | L24 | L48 |
|--------|---|---|-------|------|
| PM | Version for mounting plate without keypad | | ② | ② |
| O360 | Version for absolute encoder parallel 360 inf./rev. | All other resolutions | • | • |
| O1000 | Version for absolute encoder parallel 1000 inf./rev. | All other resolutions | ② | • |
| On | Version for absolute encoder parallel (n=encoder's resolution) | All other resolutions | • | • |
| S4096 | Version for SSI-absolute encoder 4096 inf./ rev. | All other resolutions | • | • |
| S8192 | Version for SSI-absolute encoder 8192 inf./ rev. | All other resolutions | • | • |
| MT | Version for SSI-absolute encoder 24 Bit (16 mio.) | All other resolutions | • | • |
| Zn | Version for incremental encoder 24V signal voltage (n=indicates encoder's resolution at speed indication): counting range in increments | | 16384 | 8192 |

Hard- and software-options

| Code | Meaning | Excludes or only possible with the option | L24 | L48 |
|---------|---|---|-----|-----|
| A32 | Extension to 32 outputs | | ■ | - |
| D | Binary coded speed indication on the 8 upper outputs | | ■ | ■ |
| G | Encoder monitoring (for positively counting adjusted devices only) | | ■ | ■ |
| H08 | Highly dynamic idle time compensation on the first 8 outputs, all other outputs can be compensated bit by bit | Not with L, LT | ■ | ■ |
| I | Bitwise idle time compensation | Not with L, LT | • | • |
| IP65 | Front plate; version IP65 | | ■ | ■ |
| L | Blockwise idle time compensation | Not with I, LT | x | x |
| LT | Blockwise idle time compensation with separate turn on and turn off time | Not with I, L | ■ | ■ |
| N | Extension to 1500 data records | | ■ | ■ |
| U | Direction cams | | ■ | ■ |
| T | Timer/programmable switch | | x | x |
| Vn | Locked outputs | | ■ | ■ |
| W16/W32 | Angle/time cams on the first 16/32 outputs possible (restriction: encoder resolution max. 13 Bit) | | ■ | ■ |
| X? | Customized version | On request | ■ | ■ |

- = Standard
- = Optionally for an additional charge
- x = Optionally at no additional charge
- ① = RS232/485 switchover on board
- ② = The unit is alternatively available with or without integrated control panel

Technical data LOCON 24 and LOCON 48

| | Characteristics | LOCON 24 | LOCON 24PM | LOCON 48 | LOCON 48PM |
|--|---|---|---|--|--|
| Available versions | - with integrated keypad - without integrated keypad | ● - | - ● | ● - | - ● |
| Installation | - front panel installation - mounting plate - DINrail | ● ● without front - | - ● without front - | ● ● without front - | - ● without front - |
| Output | | 24 ■ 32 | 24 ■ 32 | 48 - | 48 - |
| Storable programs | | 64 | 64 | 64 | 64 |
| Data records (incl.output) (number of switch-on/switch-off points) | | 1000 ■ 1500 | 1000 ■ 1500 | 1000 ■ 1500 | 1000 ■ 1500 |
| Actual value acquisition | - incremental encoder - counting range incremental - absolute encoder Gray excess - absolute encoder parallel Gray code to bit number - absolute encoder SSI Gray code (at option MT) - count/direction inputs for incremental encoders - timer function (value is generated internally) | 16384 360, 720, 1000, 3600, 7200 2...13 2...13, (24) ☒ 1-65535 ms | 16384 360, 720, 1000, 3600, 7200 2...13 2...13, (24) ☒ 1-65535 ms | 8192 360, 720, 1000, 3600, 7200 2...13 2...13, (24) ☒ 1-65535 ms | 8192 360, 720, 1000, 3600, 7200 2...13 2...13, (24) ☒ 1-65535 ms |
| Idle time compensation (dynamic cam) | - blockwise - bitwise - separate I/O - entering the idle time in steps - partial idle time compensation - highly dynamic ITC for number of outputs | x ● ■ 1 ms - 999ms - ■ 8 | x ● ■ 1 ms - 999ms - ■ 8 | x ● ■ 1 ms - 999ms - ■ 8 | x ● ■ 1 ms - 999ms - ■ 8 |
| Cycle time In some configurations the cycle time may be higher, in case of using the high-speed version it may also be lower. | - without idle time compensation (ITC) - with blockwise ITC - with bitwise ITC - with blockwise I/O ITC | 75µs 150µs 300µs 250µs | 75µs 150µs 300µs 250µs | 100µs 200µs 500µs 400µs | 100µs 200µs 500µs 400µs |
| Software characteristics: zero point offset cams are interchangeable linewise angle/time cams direction cams lockable outputs scalable encoder value | - within the complete range | ● ● ■ 16/32 outputs ■ ■ ● | ● ● ■ 16/32 outputs ■ ■ ● | ● ● ■ 16/32 outputs ■ ■ ● | ● ● ■ 16/32 outputs ■ ■ ● |
| Run-control-function | | ● (relay) | ● (relay) | ● (relay) | ● (relay) |
| Speed indicator | | ● | ● | ● | ● |
| Input | - for encoder signal - for program selection - for program change - for program release | 13 6 1 1 | 13 6 1 1 | 13 6 1 1 | 13 6 1 1 |
| Programming | - teach-in programming - via integrated keypad - via Deuschmann terminal - via PC (WINLOC 32®-software) - via cam control profile | ● ● ● ● ● | ● - ● ● ● ● | ● ● ● ● ● | ● - ● ● ● |
| Data backup | - EEPROM (min. 100 years) - via transfer program on PC | ● ● | ● ● | ● ● | ● ● |
| Display seven-segment indication | - for position - for speed | 10 digits ● ● | - - - | 10 digits ● ● | - - - |

| | Characteristics | LOCON 24 | LOCON 24PM | LOCON 48 | LOCON 48PM |
|---------------------------------------|--|--|------------------------------|--|------------------------------|
| Status display for | - outputs - programming status - external program selection - SSI-control - error-display - run-control | • • • • • • | • • • • • • | • • • • • • | • • • • • • |
| Interface | - RS232 - RS485-DICNET® | • switchable • switchable | • switchable • switchable | • switchable • switchable | • switchable • switchable |
| Voltage supply 24VDC +/-20% | | • | • | • | • |
| Max. power consumption (without load) | | 200mA | 200mA | 200mA | 200mA |
| Output driver max. load | - 300 mA per output, max. 1A for 8 outputs at a time at 25°C ambient temperature - 700 mA per output, temporarily also 1A per output - outputs positive switching, short-circuit- - proof | • ■ 8/16 outputs • | • ■ 8/16 outputs • | • ■ 8/16 outputs • | • ■ 8/16 outputs • |
| Dimensions basic device in mm | - width - height - depth | 144 144 44 | 144 144 44 | 144 144 44 | 144 144 44 |
| Front panel cutout | | 138 x 138 | - | 138 x 138 | - |
| Protection class | | IP20 ¹⁾ IP54 ²⁾ ■ IP65 ³⁾ | IP20 ¹⁾ - - | IP20 ¹⁾ IP54 ²⁾ ■ IP65 ³⁾ | IP20 ¹⁾ - - |
| Weight in grams | | 1000 | 1000 | 1000 | 1000 |

- = Standard
- = Optionally for an additional charge
- x = Optionally for no additional charge
- ☒ = Freely configurable
- ¹⁾ = Without housing
- ²⁾ = Standard version for front panel installation
- ³⁾ = Version for front panel installation IP64

LOCON 200

Fast and modular

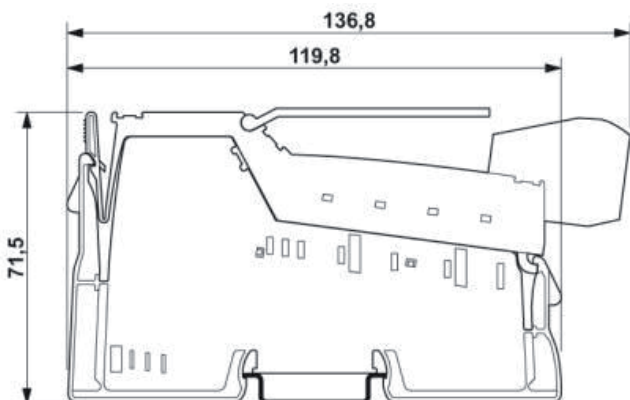
LOCON 200 consists of a basic unit with the tasks of the central actual-value acquisition, communication with the periphery, voltage supply and some further administration topics.

The complete performance capacity is achieved by using the expansion module with 8 I/Os each. Through the consistent arrangement as I/Os the basic module as well as the expansion unit achieve highest possible flexibility and best possible utilization of the hardware.

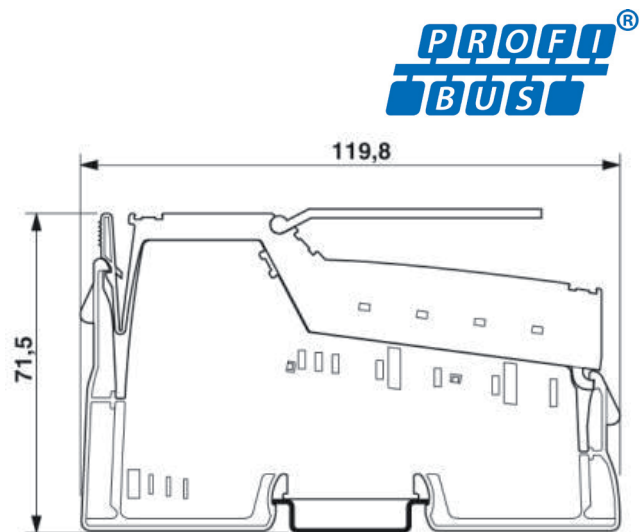
If, for instance only 8 externally selectable programs are required, the otherwise usually reserved pins are not useless but they can be used elsewhere.

The system is limited to one basic unit and max. 16 I/O-modules. Through the use of a separate processor for each module the cycle time in the overall system remains constant and depends upon configuration, encoder type, resolution as well as used software-performance characteristics. All modern actual value acquisition systems from incremental to multiturn encoder are supported. Alternatively the device can also be operated as program control unit (timer function). The time basis is generated internally and can be adjusted in the range from 1 to 65535 ms.

The connection to Fieldbus systems is as a matter of course as is the intuitive configuration via a PC-program. The alternative operation through an external terminal or the complete integration in the Fieldbuses come naturally with us. A version with integrated PROFIBUS DP is optionally available.



LOCON 200
Overall width 48.8 mm



LOCON 200-I/O8 Expansion module
Overall width 12.2 mm

Expansion module I/O8

With this module LOCON 200 is expanded by 8 I/Os up to the maximum configuration level of 144 I/Os step by step. From a configuration level of more than 8 pieces LOCON 200, one NT module for LOCON 200-Out I/O8 must be used.

The expansion module contains its own processor. Therefore, the switching accuracy (cycle time) is independent of the LOCON 200(-PB) basic module or in other words: the configuration-dependent cycle time remains the same independent of the configuration level.

In the I/O8, the idle time can be configured in a module-related way. Besides, the device supports logic functions. That way logic connections can be realized in a module-related manner.

LOCON 100

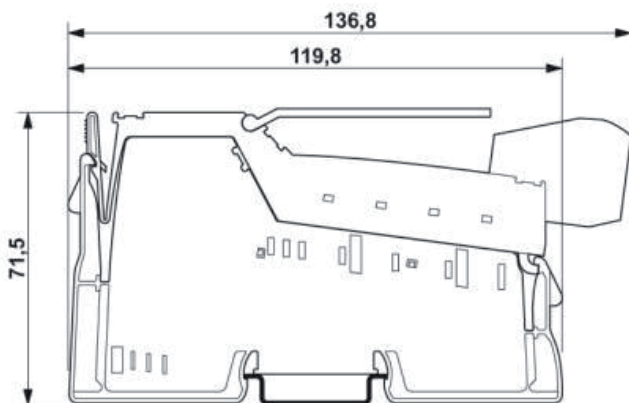
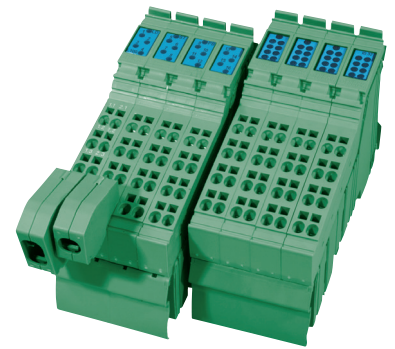
Powerful and expandable

LOCON 100 consists of a basic unit with a total of 16 I/Os. They can be configured depending on the respective application. If, for instance, only a 9-bit encoder is required, then the other encoder connections must not remain useless but can be put to practical use for other applications.

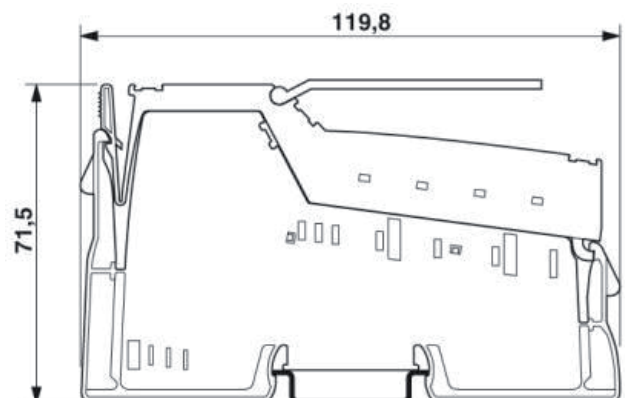
The system can be expanded by one module to a total of 48 I/Os which are configured in the same way. So you can assemble your cam control individually and you are totally free regarding outputs, inputs and utilization of functions such as external program selection, encoder type and resolution etc.

LOCON 100 as well features connection facilities for all modern actual-value acquisition systems. Alternatively the device can also be operated as program control unit (timer function). The time basis is generated internally and can be adjusted in the range from 1 to 65535 ms. The software gives you the freedom to choose from various types of idle time compensation (dynamic cam). No matter whether angle-/angle-cams or angle-/time-cams are used - everything can be configured and combined.

The modern control-concept is convincing and offers something for all tastes: Modern PC GUI, that can be connected to any Fieldbus or the easy-to-handle terminal GUI. The device with integrated PROFIBUS DP is optionally available.



LOCON 100
Overall width 48.8 mm



LOCON 100-A32 Expansion module
Overall width 48.8 mm

Expansion module A32

With this module the basic device LOCON 100(-PB)/(-MB) is expanded by 32 to a total of 48 I/Os. The expansion module does not contain an own processor. Therefore, the switching accuracy (cycle time) depends on the LOCON 100(-PB)/(-MB), its configuration and programmed data records.

LOCON 90

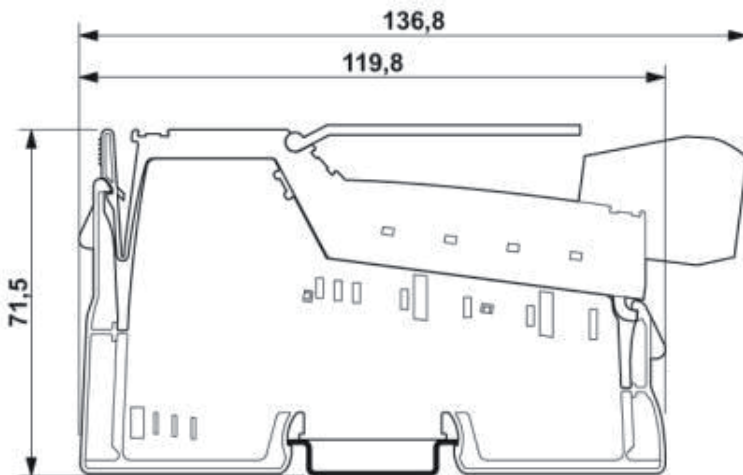
Powerful and reasonably priced

LOCON 90 is a less expensive version of LOCON 200 and LOCON 100. Equipped with 16 I/Os – of which a maximum of 8 can be configured as outputs – this unit is predestined for simple applications.

Absolute encoders can be connected via SSI up to a resolution of 13 bit. In case some of the I/Os are configured as inputs, these can e.g. be used as external program selection.

LOCON 90 as well features connection facilities for all modern actual-value acquisition systems. Alternatively the device can also be operated as program control unit (timer function). The time basis is generated internally and can be adjusted in the range from 1 to 65535 ms.

The software gives you the freedom to choose from various types of idle time compensation (dynamic cam). No matter whether angle-/angle-cams or angle-/timecams are used - everything can be configured and combined. LOCON 90 is operated via the PC-software WINLOC 32®.



LOCON 90
Overall width 48.8 mm

Model Overview LOCON 90 / 100 / 200

| Description | Explanation | Order number |
|--------------------|--|--------------|
| LOCON 90 | | V3542 |
| LOCON 100 | Basis module | V3374 |
| LOCON 100-MB | Basis module with Modbus RTU-interface | V3589 |
| LOCON 100-PB | Basis module with PROFIBUS-interface | V3397 |
| LOCON 100-A32 | Expansion module with 32 I/Os for LOCON 100/100-PB | V3425 |
| LOCON 200 | Basis module | V3485 |
| LOCON 200-PB | Basis module with PROFIBUS-interface | V3487 |
| LOCON 200-Out I/O8 | Expansion module with 8 I/Os for LOCON 200/200-PB | V3486 |
| Logic | Logic function for LOCON 100-PB, LOCON 200, LOCON 200-PB | V3426 |

| Description | Explanation | Order number |
|--|---|--------------|
| Programming cable for LOCON 90/100/200 | Assembled configuration and programming cable-232 Length: 2.0m, Side A: 9pin. D-SUB socket with metalized hood, side B: 8 pin. Terminal strip with universal power supply 12W, 24V, 0.5A Note: The USB-RS232 converter, 20 cm, Article-No.: V3654) must be ordered seperately if required. | V3964 |

Technical data LOCON 100

| | Characteristics | LOCON 100 | LOCON 100-MB | LOCON 100-PB | LOCON 100-A32 |
|--|--|---|---|---|--|
| Available versions | without integrated keypad | • | • | • | • |
| Installation | DINrail mounting | • | • | • | • |
| Outputs | | 16 I/Os 48 (with LOCON 100-A32) | 16 I/Os (32 SW outputs) 48 (with LOCON 100-A32) | 16 I/Os (32 SW outputs) 48 (with LOCON 100-A32) | 32 - |
| Storable programs | | 64 | 64 | 64 | - |
| Data records (incl. output names) (number of switch-on/switch-off points) | | 1000 | 1000 | 1000 | Data stored in L100 (-PB/-MB) |
| Actual value acquisition | - incremental encoder - counting range incremental - absolute encoder Gray excess - absolute encoder parallel Gray code to bit number - absolute encoder SSI Gray code - count/direction inputs for incremental encoders - timer function (value is generated internally) | 8192/16 Mio. 360, 720, 1000, 3600, 7200 2...13 2...13, 24, 25 <input checked="" type="checkbox"/> 1-65535 ms | 8192/16 Mio. 360, 720, 1000, 3600, 7200 2...13 2...13, 24, 25 <input checked="" type="checkbox"/> 1-65535 ms | 8192/16 Mio. 360, 720, 1000, 3600, 7200 2...13 2...13, 24, 25 <input checked="" type="checkbox"/> 1-65535 ms | dependent L100 (-PB/-MB) dependent L100 (-PB/-MB) dependent L100 (-PB/-MB) dependent L100 (-PB/-MB) dependent L100 (-PB/-MB) dependent L100 (-PB/-MB) |
| Idle time compensation (dynamic cam) | - blockwise - bitwise - separate I/O - entering the idle time in steps | <input checked="" type="checkbox"/> • <input checked="" type="checkbox"/> 0,2ms - 999ms | <input checked="" type="checkbox"/> • <input checked="" type="checkbox"/> 0,2ms - 999ms | <input checked="" type="checkbox"/> • <input checked="" type="checkbox"/> 0,2ms - 999ms | dependent L100 (-PB/-MB) dependent L100 (-PB/-MB) dependent L100 (-PB/-MB) via basis L100 |
| Cycle time In some configurations the cycle time might be higher, in case of using the high-speed version it might also be lower! | - without idle time compensation (ITC) - with blockwise ITC - with bitwise ITC - with I/O ITC - high speed version for lower cycle time | dyn. ab 100µs dyn. ab 130µs dyn. ab 165µs dyn. ab 190µs - | dyn. ab 140µs dyn. ab 170µs dyn. ab 205µs dyn. ab 230µs - | dyn. ab 250µs dyn. ab 280µs dyn. ab 315µs dyn. ab 340µs - | L100 + 50µ L100 + 50µ L100 + 50µ L100 + 50µ - |
| Software characteristics: zero point offset cams ar interchangeable linewise angle/time cams direction cams scalable encoder value | - within the complete range | • • <input checked="" type="checkbox"/> <input checked="" type="checkbox"/> <input checked="" type="checkbox"/> | • • <input checked="" type="checkbox"/> <input checked="" type="checkbox"/> <input checked="" type="checkbox"/> | • • <input checked="" type="checkbox"/> <input checked="" type="checkbox"/> <input checked="" type="checkbox"/> | via basis L100 via basis L100 via basis L100 via basis L100 via basis L100 |
| Run-control-function | | <input checked="" type="checkbox"/> | <input checked="" type="checkbox"/> | <input checked="" type="checkbox"/> | - |
| Speed indicator | | • | • | • | via basis L100 |
| Inputs | - for encoder signal - for program selection - for program change - for program release | <input checked="" type="checkbox"/> 2...13 <input checked="" type="checkbox"/> 1...6 <input checked="" type="checkbox"/> 1 <input checked="" type="checkbox"/> 1 | <input checked="" type="checkbox"/> 2...13 <input checked="" type="checkbox"/> 1...6 <input checked="" type="checkbox"/> 1 <input checked="" type="checkbox"/> 1 | <input checked="" type="checkbox"/> 2...13 <input checked="" type="checkbox"/> 1...6 <input checked="" type="checkbox"/> 1 <input checked="" type="checkbox"/> 1 | - - - - |
| Logic functions | - logic inputs - extensive logic functions - shift register | - - - | - - - | <input checked="" type="checkbox"/> • • | - - - |
| Programming | - teach-in-programming - via Deuschmann terminal - via PC (WINLOC 32®-software) - via cam control profile - others | • • • • - | • - • • Modbus-RTU | • • • • PLC at connection | - - - - s. L100 (-PB/-MB) |
| Data backup | - EEPROM (min. 100 years) - via transfer program on PC | • • | • • | • • | s. L100 (-PB/-MB) s. L100 (-PB/-MB) |
| Status display for | - outputs - programming status - external program selection - SSI-control - error-display - run-control (if configured) - Fieldbus status | • - - - • • - | • - - - • • - | • - - - • • bus status | • - - - • - - |

| | Characteristics | LOCON 100 | LOCON 100-MB | LOCON 100-PB | LOCON 100-A32 |
|---------------------------------------|--|---|--|-----------------------|---|
| Interface | - RS232 - RS485-DICNET® - RS232-Modbus - RS485-Modbus - integrated PROFIBUS-interface | ● switchable ● switchable - - - | ● switchable - ● switchable ● switchable - | ● - - - ● | s. L100 (-PB/-MB) s. L100 (-PB/-MB) s. L100 (-PB/-MB) s. L100 (-PB/-MB) s. L100 (-PB/-MB) |
| Voltage supply 24VDC +/-20% | | ● | ● | ● | via basis L100 |
| Max. power consumption (without load) | | 200mA | 200mA | 200mA | 200mA |
| Output driver max. load | - 300 mA each output, max. 1A for 8 outputs each - 700 mA each output, temporarily also 1A each output - plus switching outputs, short circuit-proof | - ● ● | - ● ● | - ● ● | - ● ● |
| Analog outputs | - current output - voltage output | - - | - - | - - | - - |
| Dimensions basic device in mm | - width - height - depth | 48,8 71,5 120 | 48,8 71,5 120 | 48,8 71,5 120 | 48,8 71,5 120 |
| Protection class | | IP20 | IP20 | IP20 | IP20 |
| Weight in grams | | 220 | 220 | 220 | 200 |

- = Standard
- = Optionally for an additional charge
- x = Optionally at no additional charge
- ☒ = Freely configurable

Technical data LOCON 200 and LOCON 90

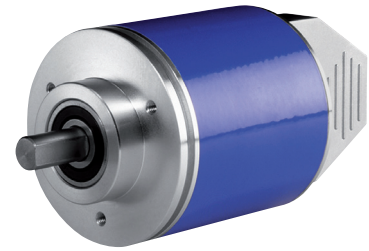
| | Characteristics | LOCON 200 | LOCON 200-PB | LOCON 200-I/O8 | LOCON 90 |
|--|--|---|---|--|--|
| Available versions | without integrated keypad | • | • | • | • |
| Installation | DINrail mounting | • | • | • | • |
| Outputs | | 16 I/Os 144 (+16 x I/O8) | 16 I/Os 80 (+8 x I/O8) | 8 I/Os - | 8 |
| Storable programs | | 256 | 64 | - | 64 |
| Data records (incl. output names) (number of switch-on/switch-off points) | | 1000 + 232 per module | 1000 | 232 | 1000 |
| Actual value acquisition | - incremental encoder - counting range incremental - absolute encoder Gray excess - absolute encoder parallel Gray code to bit number - absolute encoder SSI Gray code - count/direction inputs for incremental encoders - timer function (value is generated internally) | 8192 / 16 Mio. 360, 720, 1000, 3600, 7200 2...13 2...13, 24, 25 <input checked="" type="checkbox"/> 1-65535 ms | 8192 / 16 Mio. 360, 720, 1000, 3600, 7200 2...13 2...13, 24, 25 <input checked="" type="checkbox"/> 1-65535 ms | dependent L200 (-PB) dependent L200 (-PB) dependent L200 (-PB) dependent L200 (-PB) dependent L200 (-PB) dependent L200 (-PB) | 8192 / 16 Mio. 360, 720, 1000, 3600, 7200 2...13 2...13, 24, 25 <input checked="" type="checkbox"/> 1-65535 ms |
| Idle time compensation (dynamic cam) | - blockwise - bitwise - separate I/O - entering the idle time in steps | <input checked="" type="checkbox"/> • <input checked="" type="checkbox"/> 0,2ms - 999ms | <input checked="" type="checkbox"/> • <input checked="" type="checkbox"/> 0,2ms - 999ms | <input checked="" type="checkbox"/> • <input checked="" type="checkbox"/> 0,2ms - 999ms | <input checked="" type="checkbox"/> • <input checked="" type="checkbox"/> 0,2ms - 999ms |
| Cycle time In some configurations the cycle time might be higher, in case of using the high-speed version it might also be lower. | - without idle time compensation (ITC) - with blockwise ITC - with bitwise ITC - with I/O ITC - high speed version for lower cycle time | dyn. from 500µs dyn. from 500µs dyn. from 500µs dyn. from 500µs <input checked="" type="checkbox"/> | dyn. from 500µs dyn. from 500µs dyn. from 500µs dyn. from 500µs <input checked="" type="checkbox"/> | dyn. from 55µs dyn. from 65µs dyn. from 85µs dyn. from 115µs <input checked="" type="checkbox"/> | dyn. from 100µs dyn. from 130µs dyn. from 165µs dyn. from 190µs |
| Software characteristics: zero point offset cams are interchangeable linewise angle/time cams direction cams scalable encoder value | - within the complete range | • • <input checked="" type="checkbox"/> <input checked="" type="checkbox"/> <input checked="" type="checkbox"/> | • • <input checked="" type="checkbox"/> <input checked="" type="checkbox"/> <input checked="" type="checkbox"/> | via basis L200 via basis L200 <input checked="" type="checkbox"/> <input checked="" type="checkbox"/> via basis L200 | • • <input checked="" type="checkbox"/> <input checked="" type="checkbox"/> <input checked="" type="checkbox"/> |
| Run-control-function | | <input checked="" type="checkbox"/> | <input checked="" type="checkbox"/> | - | <input checked="" type="checkbox"/> |
| speed indicator | | • | • | via basis L200 | • |
| Inputs | - for encoder signal - for program selection - for program change - for program release | <input checked="" type="checkbox"/> 2...13 <input checked="" type="checkbox"/> 1...8 <input checked="" type="checkbox"/> 1 <input checked="" type="checkbox"/> 1 | <input checked="" type="checkbox"/> 2...13 <input checked="" type="checkbox"/> 1...8 <input checked="" type="checkbox"/> 1 <input checked="" type="checkbox"/> 1 | - - - - | - <input checked="" type="checkbox"/> 1...6 <input checked="" type="checkbox"/> 1 <input checked="" type="checkbox"/> 1 |
| Logic functions | - logic inputs - extensive logic functions - shift register | ■ 16 • • | ■ 16 • • | ■ 8 • • | - - - |
| Programming | - teach-in-programming - via Deutschmann terminal - via PC (WINLOC 32®-software) - via cam control profile - others | • • • • - | • • • • PLC at connection | s. L200 (-PB) s. L200 s. L200 (-PB) s. L200 (-PB) s. L200 (-PB) | • • • • - |
| Data backup | - EEPROM (min. 100 years) - via transfer program on PC | • • | • • | • • | • • |
| Status display | - outputs - programming status - external program selection - SSI-control - error-display - run-control (if configured) - Fieldbus status | • - - - - - - | • - - - • • bus status | • - - - • - - | • - - - • • - |

| | Characteristics | LOCON 200 | LOCON 200-PB | LOCON 200-I/O8 | LOCON 90 |
|---------------------------------------|--|-----------------------------------|---------------------|---|---------------------|
| Interface | - RS232 - RS485-DICNET® - integrated PROFIBUS interface | ● switchable ● switchable - | ● - ● | s. L200 (-PB) s. L200 (-PB) s. L200 (-PB) | ● - - |
| Voltage supply 24VDC +/-20% | | ● | ● | via basis L200 | ● |
| Max. power consumption (without load) | | 200mA | 200mA | 200mA | 200mA |
| Output driver max. load | - 300 mA each output, max. 1A for 8 outputs each - 700 mA each output, temporarily also 1A each output - plus switching outputs, short circuit-proof | - ● ● | - ● ● | - ● ● | - ● ● |
| Analog outputs | - current output - voltage output | - - | - - | - - | - - |
| Dimensions basic device in mm | - width - height - depth | 48,8 71,5 120 | 48,8 71,5 120 | 48,8 71,5 120 | 12,2 71,5 120 |
| Protection class | | IP20 | IP20 | IP20 | IP20 |
| Weight in grams | | 220 | 230 | 200 | 70 |

- = Standard
- = Optionally for an additional charge
- x = Optionally at no additional charge
- ☒ = Freely configurable

ROTARNOCK series

With the ROTARNOCK-series Deuschmann Automation took a new innovative path. The entire cam control was integrated in the housing of the absolute encoder. This saves work and money. The wiring of the encoder can be dispensed with entirely. The outputs of the cam control are applied directly to the device via its connector.



The ROTARNOCK 100 is optionally available with integrated PROFIBUS- or PROFINET interface. The device versions with PROFIBUS or PROFINET can be connected to SIEMENS SIMATIC S7 and other PLCs and Soft-PLCs very easily. The data exchange between the PLC and the cam control is carried out via a data component. The data component for S7 can be generated by the user himself by means of the data component generator that is available free of charge. A data component in the version required in each case is generated by the data component generator, so that no unnecessary storage space is occupied in the PLC.

The device description files (GSD or GSDML) required for a PROFIBUS or PROFINET connection are also provided free of charge. With it no programming effort is involved for the user and he does not have to carry out changes in the PLC-program. For the initial programming the comfortable PC-software WINLOC 32® can be used and the already fixed data component including cams, idle times etc. can be generated automatically.

| Version | Overall length in mm (dimension x) |
|---|------------------------------------|
| ROTARNOCK 100 standard D-Sub version | 69 |
| ROTARNOCK 100 with Option IF | 69 |
| ROTARNOCK 100 PROFIBUS with D-Sub connector | 81 |
| ROTARNOCK 100 PROFIBUS in IP65 and ROTARNOCK 100 Fieldbus version in IP65 | 98 |
| ROTARNOCK 100 PROFINET | |

ROTARNOCK 100

Complete equipment for all applications

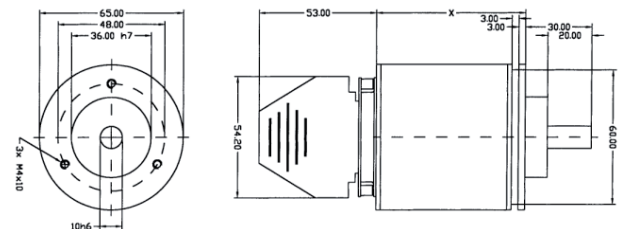
In this high-end model the advantages of the most recent Deuschmann software package have been implemented. This provides you with free software configuration. The switching outputs have a load rating of 700 mA and cut additional costs in the switch cabinet. After all the ROTARNOCK-series is already economical by nature:

The wiring effort is reduced since no additional rotary encoder needs to be wired up. The ROTARNOCK 100 PROFIBUS-version unfolds its cost advantages more than ever. Of course the

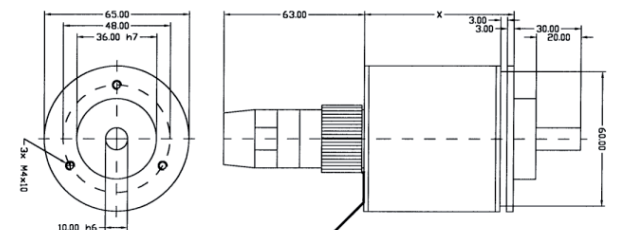
ROTARNOCK-versions are equipped for various industrial requirements. The versions you can choose from are IP54 version with D-SUB connector or IP65 version with round connector.

ROTARNOCK 100 with integrated Fieldbus

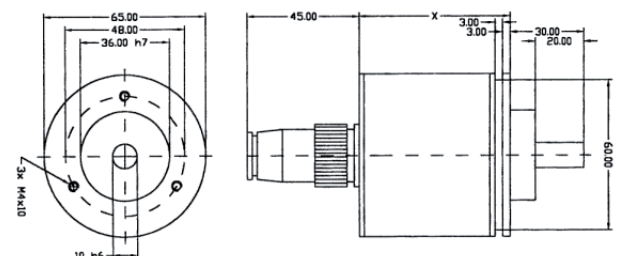
The ROTARNOCK 100 is also available with Fieldbuses and Industrial Ethernet buses. Such as:



ROTARNOCK RS232 or RS485, version IP54



ROTARNOCK RS232 or RS485, version IP65



ROTARNOCK 100 with integrated PROFIBUS protection class IP65 and ROTARNOCK 100 with integrated Fieldbus protection class IP65

ROTARNOCK Starterkit

This starter kit contains all required cables and power supplies for the quick laboratory setup. Packages with other ROTARNOCK versions are available on request.



| Article description | Order.-No. |
|--|------------|
| Starterkit für ROTARNOCK 100 with RS232-interface | P1084 |
| Starterkit für ROTARNOCK 100 mit PROFIBUS-Schnittstelle | P1066 |
| Starterkit für ROTARNOCK 100 mit RS485-DICNET® Schnittstelle | P1068 |

Basis device

| Code | Meaning | Explanation |
|---------------|---|--------------------------------|
| TN65-4096-100 | ROTARNOCK 100, 4096 inf./rev., 16 switching outputs | Resolution freely configurable |

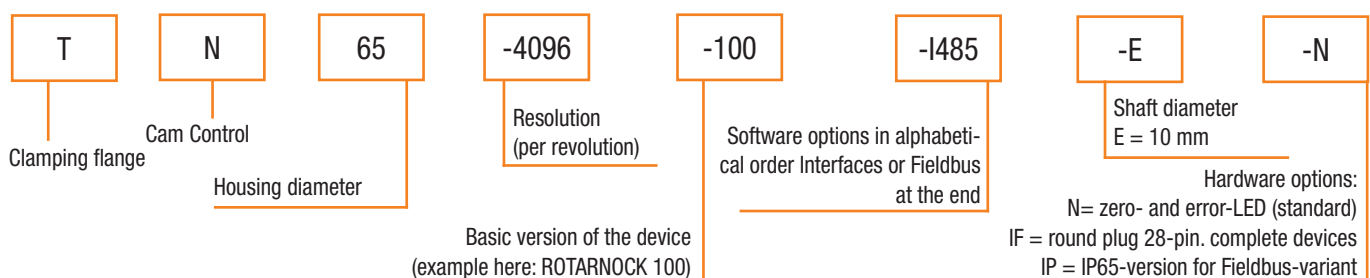
Hard- and Software options

| Code | Meaning | Excludes option or only possible with option | R100 |
|------|--|--|------|
| D | Position-/speed indicator switchover; switchover depending on the speed | | ● |
| G | Encoder monitoring | | ☒ |
| I | Bitwise idle time compensation | Not with L, LT, IT | ● |
| IF | 28-pole round connector for protection class IP65 | Not with PB and IP | ■ |
| IP | Version IP65 for versions with integrated PROFIBUS | Not with devices without PROFIBUS or with IF | ■ |
| | Version IP65 for versions with integrated Fieldbus | Not with devices without Fieldbus or with IF | ■ |
| IT | Separate switch-on /switch-off idle time compensation bitwise | Not with I, L, LT | ☒ |
| L | Blockwise idle time compensation | Not with I, LT, IT | ☒ |
| LT | Separate switch-on /switch-off idle time compensation blockwise | Not with I, L, IT | ☒ |
| R | RUN-CONTROL-function on output 16; for the Fieldbus-version with IP65 only to output 12 | | ☒ |
| U | Output change depending on the direction of rotation | | ☒ |
| 232 | Interface RS232 | Not with option 485 | x |
| 485 | Interface RS485 DICNET® (cross-linking of up to 16 DA cam controls) | Not with option 232 or other Fieldbus | x |
| PB | Integrated Profibus-interface (additional RS232-interface) | Not with option 485 or other Fieldbus | ■ |
| CO | Integrated CANopen-interface (additional RS232-interface) | Not with option 485 or other Fieldbus | ■ |
| DN | Integrated DeviceNet-interface (additional RS232-interface) | Not with option 485 or other Fieldbus | ■ |
| EC | Integrated EtherCAT-interface (additional RS232-interface) | Not with option 485 or other Fieldbus | ■ |
| EI | Integrated Ethernet/IP-interface (additional RS232-interface) | Not with option 485 or other Fieldbus | ■ |
| FE | Integrated Ethernet 10/100 MBit-interface (Modbus TCP or Ethernet TCP/IP) (additional RS232-interface) | Not with option 485 or other Fieldbus | ■ |
| MPI | Integrated MPI-interface (additional RS232-interface) | Not with option 485 or other Fieldbus | ■ |
| PN | Integrated Profinet-interface (additional RS232-interface) | Not with option 485 or other Fieldbus | ■ |

R100 = ROTARNOCK 100 ● = Standard ■ = Optionally for an additional charge x = Optionally at no additional charge
☒ = Freely configurable

| | | | |
|-------|---|------------------------------|----------------|
| LOGIC | The Logic-license code can be ordered by indicating the serial number | für ROTARNOCK 100 erhältlich | Art.-No. V3426 |
|-------|---|------------------------------|----------------|

Structure of the order code



Technical data ROTARNOCK 100

| | Characteristics | ROTARNOCK 100 | ROTARNOCK 100 PB | ROTARNOCK 100 PN |
|--|--|---|---|---|
| Mechanical data | - shaft load - shaft diameter - shaft length - shock resistance - vibration resistance - rotor's moment of inertia - durability | axial 40 N, radial 110 N 10 mm 20 mm = 200 m/s ² (12 ms) = 100 m/s ² (10 Hz...1000 Hz) ~30 gcm ² > 105 h at 1000 min ⁻¹ | axial 40 N, radial 110 N 10 mm 20 mm = 200 m/s ² (12 ms) = 100 m/s ² (10 Hz...1000 Hz) ~30 gcm ² > 105 h at 1000 min ⁻¹ | axial 40 N, radial 110 N 10 mm 20 mm = 200 m/s ² (12 ms) = 100 m/s ² (10 Hz...1000 Hz) ~30 gcm ² > 105 h at 1000 min ⁻¹ |
| Outputs | | 16 | 16 + 32 software outputs or 12-48 at IP65 | 12 + 32 software outputs |
| Storable programs | | 64 | 64 | 64 |
| Data records number of switch-on/ switch-off points) | | 1000 | 1000 | 1000 |
| Actual value acquisition | - Absolutwertgeber gek. Gray-Code - Absolutwertgeber Parallel Gray-Code bis Bitzahl | 360, 1000, 3600 9...12 | 360, 1000, 3600 9...12 | 360, 1000, 3600 9...12 |
| Idle time compensation (dynamic cam) | - blockwise - bitwise - separate I/O - entering the idle time in steps | <input checked="" type="checkbox"/> • <input checked="" type="checkbox"/> 1 ms - 999ms | <input checked="" type="checkbox"/> • <input checked="" type="checkbox"/> 1 ms - 999ms | <input checked="" type="checkbox"/> • <input checked="" type="checkbox"/> 1 ms - 999ms |
| Cycle time In some configurations the cycle time may be higher. | - without idle time compensation (ITC) - with blockwise ITC - with bitwise ITC - with I/O ITC | ca. 110µs ca. 145µs ca. 225µs ca. 270µs | ca. 260µs ca. 295µs ca. 425µs ca. 430µs | - - - - |
| Software characteristics: zero offset cams movable track by track angle/time cams direction cams | - within the complete range | • • <input checked="" type="checkbox"/> <input checked="" type="checkbox"/> | • • <input checked="" type="checkbox"/> <input checked="" type="checkbox"/> | • • <input checked="" type="checkbox"/> <input checked="" type="checkbox"/> |
| Run-control-funktion | | <input checked="" type="checkbox"/> | <input checked="" type="checkbox"/> | <input checked="" type="checkbox"/> |
| Speed indicator | | • | • | • |
| Inputs | - for program selection - for program change | 4 1 | via Fieldbus only via Fieldbus only | via Fieldbus only via Fieldbus only |
| Logic function | - logic inputs - extensive logic functions - shift register | - ■ ■ | 16 via Fieldbus ■ ■ | 16 via Fieldbus ■ ■ |
| Programming | - teach-in programming - via integrated keypad - via Deuschmann terminal - via PC (WINLOC 32®-software) - via cam control profile - integrated Fieldbus and any desired visualization system | via Fieldbus only - • • • - | via Fieldbus only - - - • PROFIBUS | via Fieldbus only - - - • PROFINET |
| Data protection | - EEPROM (min. 100 years) - via transfer program on PC | • • | - - | - - |
| LED for | - error-display - zero indication - Fieldbus status | • • - | • • • | • • • |
| Supply voltage 24VDC +/-20% | | • | • | • |
| Max. current consumption (without load) | | 150mA | 200mA | 200mA |
| Output driver max. load | - 300 mA je Ausgang, max. 1A für je 8 Ausgänge - 700 mA je Ausgang, kurzzeitig auch 1A je Ausgang - Ausgänge plusschaltend, kurzschlussfest | - • • | - • • | - • • |
| Dimensions Basic device in mm | - Durchmesser - Länge | 65 siehe Zeichnung | 65 siehe Zeichnung | 65 siehe Zeichnung |
| Protection class | | IP54 ■ IP65 | IP54 ■ IP65 | IP65 |
| Weight in grams | | 400 | 400 | 480 |

• = Standard ■ = Optionally for an additional charge x = Optionally at no additional charge ☒ = Freely configurable
 PB = PROFIBUS PN = PROFINET *FB = Available with integrated Fieldbus

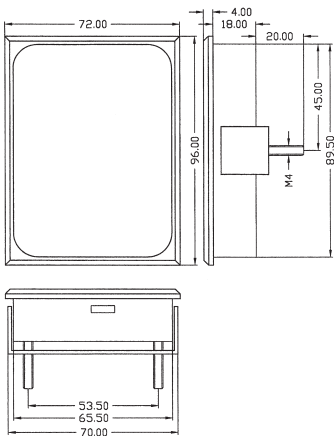


| ROTARNOCK 100 FB* |
|---|
| axial 40 N, radial 110 N 10 mm 20 mm = 200 m/s ² (12 ms) = 100 m/s ² (10 Hz...1000 Hz) ~30 gcm ² > 105 h at 1000 min ⁻¹ |
| 12 + 32 software outputs |
| 64 |
| 1000 |
| 360, 1000, 3600 9...12 |
| <input checked="" type="checkbox"/> ● <input checked="" type="checkbox"/> 1 ms - 999ms |
| - - - - |
| ● ● <input checked="" type="checkbox"/> <input checked="" type="checkbox"/> |
| <input checked="" type="checkbox"/> |
| ● |
| via Fieldbus only via Fieldbus only |
| 16 via Fieldbus ■ ■ |
| via Fieldbus only - - - ● Feldbus |
| - - |
| ● ● ● |
| ● |
| 200mA |
| - ● ● |
| 65 see drawing |
| IP65 |
| 480 |

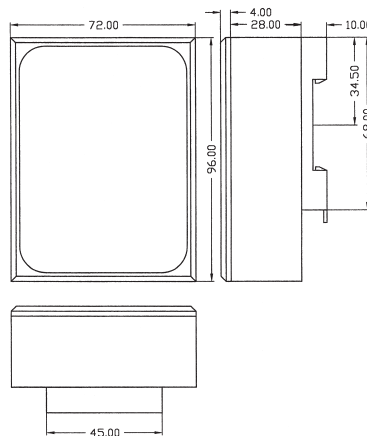
TERM 6 and TERM 24

TERM 6 - The small ones

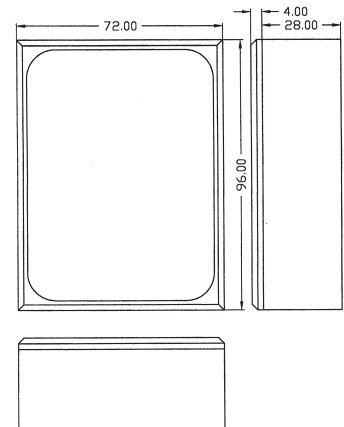
The “four-key operation” which has proven its worth over the years in countless applications can be operated easily after a short familiarization-period only. A clear structure and practical symbols on the seven-segment display, in conjunction with the function LEDs, made this interface very popular. The integrated and switchable interfaces RS232- and RS485-DICNET® allow the communication with any Deuschmann cam control. In addition to the version for front-panel installation, a version for DIN rail mounting and a portable version for the service technician is also available.



Term 6 for front panel installation



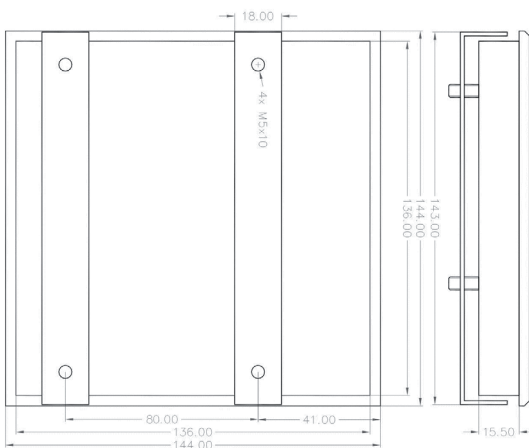
Term 6 H for DIN rail mounting



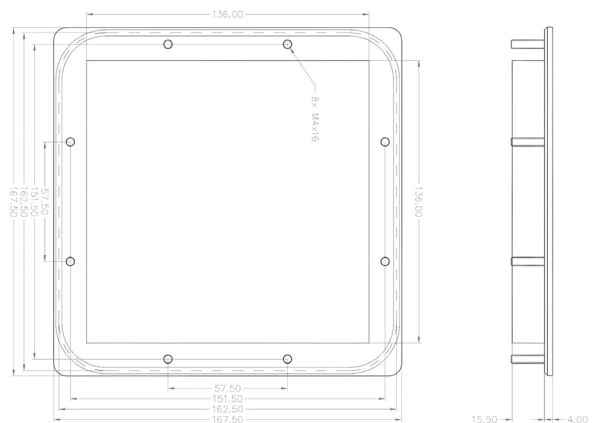
Term 6 T hand-held terminal

TERM 24 - The compact ones

This multi-lingual menu driven user-interface in connection with the decimal keypad and the function keys offers a high level of convenience. Encoder position and speed are displayed simultaneously on the seven-segment display. Depending on the kind of application, you can choose between the housing versions IP54 and IP65. This terminal can be used with any Deuschmann cam control thanks to the RS232- or RS485-DICNET®-interface.



Term24, front panel IP54



Term 24, front panel IP65

Compatibility of Deuschmann cam controls with terminals and the WINLOC® 32-software

The integrated front panel of a LOCON 24 or 48 can also be used as terminal, provided that several devices are connected with one another. With it the compatibility as for TERM 24 applies.

| Device type | TERM 6 | TERM 24 | WINLOC® 32 PC-tool |
|---|--------|---------|--------------------|
| LOCON 16 | • | • | • |
| LOCON 17 | • | • | • |
| LOCON 24 | • | • | • |
| LOCON 48 | • | • | • |
| LOCON 90 | • | • | • |
| LOCON 100 | • | • | • |
| LOCON 100-MB | - | - | • |
| LOCON 100-PB | - | - | • |
| LOCON 200 | • | • | • |
| LOCON 200-PB | - | - | • |
| ROTARNOCK 100 | • | • | • |
| ROTARNOCK 100-PB | - | - | • |
| ROTARNOCK 100 with integrated Fieldbus* | - | - | • |
| ROTARNOCK 100-PN | - | - | • |

• = möglich

*



| Device type | TERM 6 | TERM 24-IP54 | TERM 24-IP65 |
|------------------------|---|---|---|
| Features | display and control unit | display and control unit | display and control unit |
| Display | 8-digit 7-segment display for position/speed, output indication for 16 outputs | 10-digit 7-segment display for position/speed, output indication for 48 outputs | 10-digit 7-segment display for position/speed, output indication for 48 outputs |
| Interface | RS232 (V.24) and RS485-DICNET®, max. any 3 terminals in one bus, interface switchable | RS232 (V.24) or RS485-DICNET®, max. any 3 terminals in one bus, interface not switchable | RS232 (V.24) or RS485-DICNET®, max. any 3 terminals in one bus, interface not switchable |
| LCD-display | - | 2-line LCD-display with LED-backlight, 16 characters/line, operator guidance in ten languages | 2-line LCD-display with LED-backlight, 16 characters/line, operator guidance in ten languages |
| Connections | screw-plug-connector | screw-plug-connector | screw-plug-connector |
| Function LEDs | 6 status LEDs | - | - |
| Installation | front panel installation, DIN rail mounting, portable version | front panel installation | front panel installation |
| Protection class | IP54 | IP54 | IP65 |
| Dimensions (W x H x D) | 72 x 96 x 18 mm, 72 x 96 x 25 (DIN rail version) | 144 x 144 x 15 mm | 168 x 168 x 15 mm |
| Weight | approx. 200 g | approx. 450 g | approx. 450 g |
| Panel cut-out | 66 x 90 mm | 138 + 1 x 138 + 1 mm | 138 + 1 x 138 + 1 mm |

WINLOC 32®

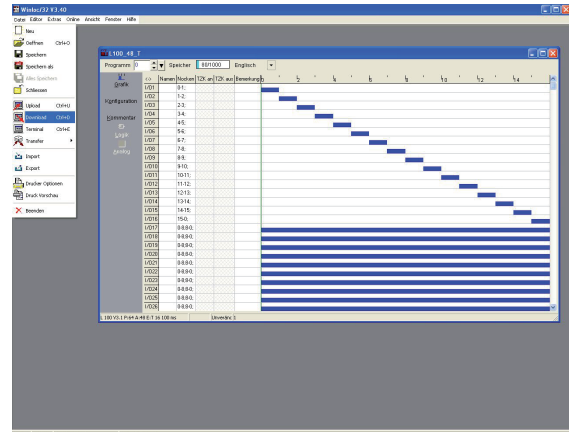
Programming Deuschmann cam controls using Windows

WINLOC 32® offers an easy to use graphical user interface for programming Deuschmann cam controls under Microsoft Windows 7.

The user may print all device data as complete documentation. The compilation of the data is made by the user. The printout is prepared as a scaleable preview, which can be observed before it is printed on paper.

With the basic version WINLOC 32® already offers all necessary abilities for programming devices as well as for transferring data from Deuschmann cam controls to the PC.

By simply entering a license number the basic version is upgraded to a comfort version with an interface that is easier to use and an extended printout capability. WINLOC 32® is available as German or English language version.



Basic or comfort version?

The software WINLOC 32®, that has been developed for the programming of all Deuschmann cam controls is available in two versions. The basic version can be ordered directly from us or it is also available for download free of charge from our website at www.deuschmann.de. It offers all functions that are required to program Deuschmann cam controls.

There is also a comfort version of WINLOC 32® available. By entering a license number that can be ordered from Deuschmann you can use additional convenient tools in the software, that simplify the operation of the program.

The following tools can be used:

The toolbar: It contains buttons that simplify the handling of the program.

Extended print options: Deviating from the standard presetting this tool allows an individual setting so that the printout complies with your requests.

Selecting devices at upload/download: The availability of Pull-Down Menus simplifies the selection of devices, that exist in the network.

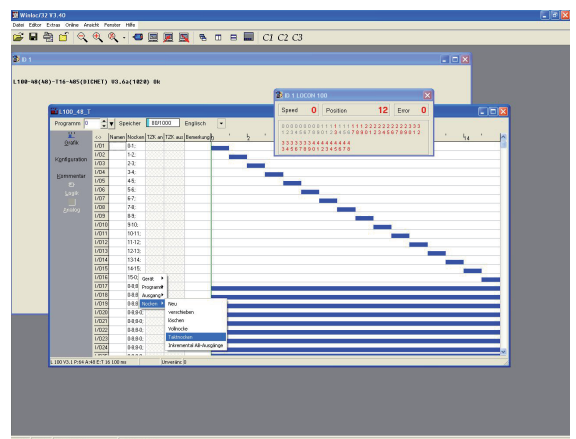
Data migration function: If you want to transfer data from one cam control to another, this is automatically carried out by this function.

Online-presentation: This function is very important for devices that are supplied without a terminal. The settings of your cam control, such as position, speed, outputs are being visualized.

Teach-In: This function simplifies the initialization of your device, since the electronic zero-point can be set by simply pressing the Teach-In button. With it a manual setting is dropped.

Comparison function: The comparison of 2 cam controls is possible by opening two windows with the respective settings of your cam controls.

If you want to use the convenient tools of the comfort version order your license number at Deuschmann Automation directly at www.deuschmann.de or by phone: +49 (0) 6434-9433-0.

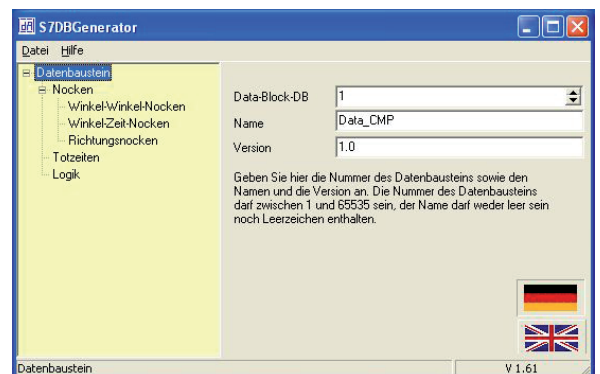


| Function | Basic version | Comfort version |
|---|---------------|-----------------|
| Programming general, cams, logic, names, idle times, analog values | ● | ● |
| Graphical display of the programming | ● | ● |
| Diagnostic option of the communication channels (DICNET®) | ● | ● |
| Complete support of all configuration parameters | ● | ● |
| Context-sensitive help German/English | ● | ● |
| DA cam control error list | ● | ● |
| Color adjustments | ● | ● |
| Different communication interfaces for all Deuschmann cam controls with RS232 or DICNET® connection | ● | ● |
| Simplified operation of the program | - | ● |
| Terminal window | ● | ● |
| Toolbars | - | ● |
| Context-sensitive mouse menu | - | ● |
| Extended print adjustment | - | ● |
| Comfortable selection of the devices during upload/download | - | ● |
| Flexible print with extended adjustment possibilities | - | ● |
| Data transfer function | - | ● |
| Online display position, speed outputs | - | ● |
| "Teach-In" zero offset | - | ● |
| Comparison function – two cam controls can be compared in two windows | - | ● |
| Generating a data component | - | ● |

DB generator

PC-software data component generator

In a simple manner the program makes it possible to generate an AWL source file. Due to the clear arrangement of the component options they can be entered fast and easily. By means of these settings the program generates the AWL source file. Based on a configuration file the program receives information on parameters and the size of this component. While the program starts this file is read. It is also possible to read this file again later.

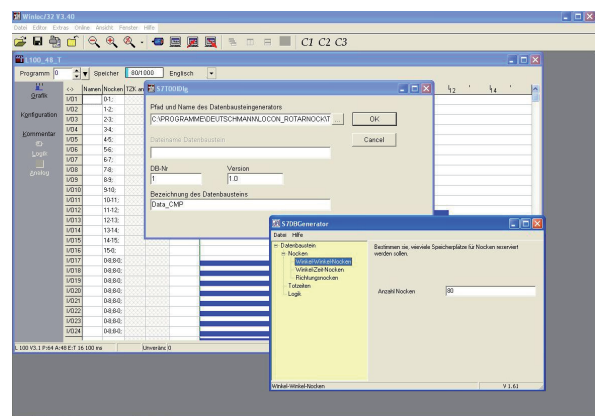


Generating the S7® program code – fast and easy

After the program is started, you can navigate through the setting options by means of the survey on the left side. On the individual parameter cards you can set the parameter values, such as number of cams to be used as well as the cam type.

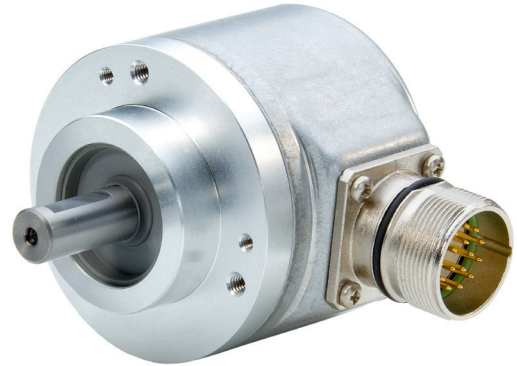
Generating the component through WINLOC 32® elegantly

If the data component generator is started from the WINLOC 32®-software, then the data, created in WINLOC 32® (cams, programs, idle times, etc.) will automatically be assigned to the data component. By means of the corresponding settings in the DB generator's window it is also possible to create "reserves" for programs, cams, idle times etc. that are to be recorded later.



Rotary encoder

Absolute encoders, singleturn - SA58/TA58 utilising integrative technology



Essential advantages:

- Shock resistance >2500 m/s², 6 ms nach DIN IEC 68-2-27
- 2 years warranty
- Better EMC-behaviour compared to conventional encoders

General order code for encoders

Order reference:

X A 5 8 - X X X X - G X X - X - X

Series

S = Synchro flange
T = Clamping flange

Resolution

0360, 1000, 1024, 4096, 8192

Code type

G = Gray

Interface and supply voltage

Y = Push-Pull 10 - 30V (absolute parallel)
S = SSI 10 - 30V

Options

Z = Supply voltage 5V
(protection class IP65)

Connection

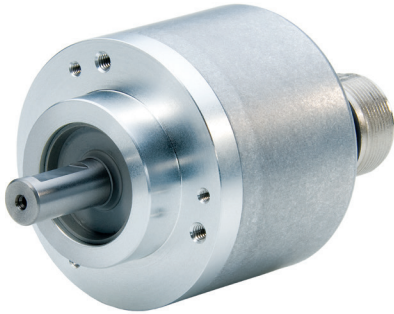
ID = 16-pole round plug axial (parallel)
IDR = 16-pole round plug radial (parallel)
IE = 12-pole round plug axial (SSI)
IER = 12-pole round plug radial (SSI)

Shaft

E = Shaft 10 mm with T-flange (clamping flange)
C = Shaft 6 mm with S-flange (synchro flange)

For the detailed order codes please take a look at the corresponding encoders.

Absolute encoder, singleturn - Shaft version SSI



- Up to a resolution of 13 bit, singleturn in integrative technology*
- Shaft Ø 6 mm or 10 mm
- SSI-interface
- Gehäuse Ø 58 mm
- Max. IP66
- Electronic temperature- and ageing compensation
- Short-circuit proof outputs

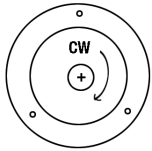
*Integration of all components because of an innovative assembly principle and the use of an opto-asic on one printed circuit board only, at a resolution of up to 13 bit.

Mechanical characteristics

| | |
|--|-----------------------------------|
| Housing diameter | 58 mm |
| Shaft diameter | S: 6 mm / C: 10 mm |
| Flange types (housing fastening) | Clamping flange / synchro flange |
| Protection class shaft input verified according to EN60529 | IP66 |
| Protection class housing verified according to EN60529 | IP65 |
| Shaft load axial | S: 20 N, C: 40 N |
| Shaft load radial | S: 80 N, C: 110 N |
| Max. number of revolutions (temporarily) | 12000 rev./min. |
| Max. number of revolutions (permanent operation) | 3000 rev./min. |
| Starting torque | 5 Ncm |
| Moment of inertia | 30 kgm ² |
| Vibration resistance (DIN EN 60068-2-6) | 10 m/s ² (10...100 Hz) |
| Shock resistance (DIN EN 60068-2-27) | 100 m/s ² (6 ms) |
| Continuous shock resistance (DIN EN 60028-2-29) | 10 m/s ² (16ms) |
| Operating temperature | -40 ... +85°C |
| Storage temperature | -40 ... +85°C |
| Weight | 200 g |

Electrical characteristics

| | |
|-----------------------------|----------------------------|
| Supply voltage | 10 - 30 VDC |
| Power consumption max. | 100 mA (without load) |
| Pulse frequency. | 70 mA (without load) |
| Step frequency | 100...2000 kHz |
| Step frequency | 200 kHz |
| Resolution | See table on the next page |
| Output code | See table on the next page |
| Linearity | +/-0,5 LSB |
| Outputs | RS422 SSI |
| Output current max. | 20 mA / each channel |
| Output current typ. | - |
| Short-circuit proof output? | Yes |
| Output level high | -0,9 VxUb |
| Output level low | 0,5 V |
| Electrical lifetime | 100000 h |
| Turn-on time | 1 s |



Sense of rotation

- Rising code values in case of a clockwise turn of the shaft (cw), falling values in case of a counter-clockwise turn (ccw) with a view to the shaft.

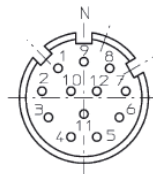
| Oder number | Article designation | Resolution | Output code | Shaft | Flange |
|-------------|---------------------|------------|-------------|-------|-----------------|
| V2606 | TA58-4096-GSE-IE | 4096 | Gray | 10 mm | Clamping flange |
| V2608 | SA58-4096-GSC-IER | 4096 | Gray | 6 mm | Synchro flange |
| V2609 | TA58-1024-GSE-IE | 1024 | Gray | 10 mm | Clamping flange |
| V2610 | TA58-4096-GSE-IER | 4096 | Gray | 10 mm | Clamping flange |
| V2611 | TA58-8192-GSE-IE | 8192 | Gray | 10 mm | Clamping flange |

Order code

X A 5 8 - X X X X - G S X - X

| | |
|--|--|
| <p>Series S = Synchro flange T = Clamping flange</p> <p>Resolution 1024, 4096, 8192</p> <p>Code type G = Gray</p> <p>Interface and supply voltage S = SSI 10 - 30V</p> | <p>Connection IE = 12-pole round plug axial (SSI) IER = 12-pole round plug radial (SSI)</p> <p>Shaft E = Shaft 10 mm with T-flange (clamping flange) C = Shaft 6 mm with S-flange (synchro flange)</p> |
|--|--|

View of the mating face pin contact: SSI - 12-pole connector



Pin assignment SSI with 12-pole connector

| Pin | 1 | 2 | 3 | 4 | 5 | 6 | 7 | 8 | 9 | 10 | 11 | 12 | PH ¹⁾ |
|--------|------|-----|--------|-------|-------|-------|-----|------------|-----|-----|-----|-----|------------------|
| Signal | 0 V | +UB | +T | -T | +D | -D | --- | complement | --- | --- | --- | --- | shield |
| Color | blue | red | yellow | green | white | brown | | n.c. | | | | | |

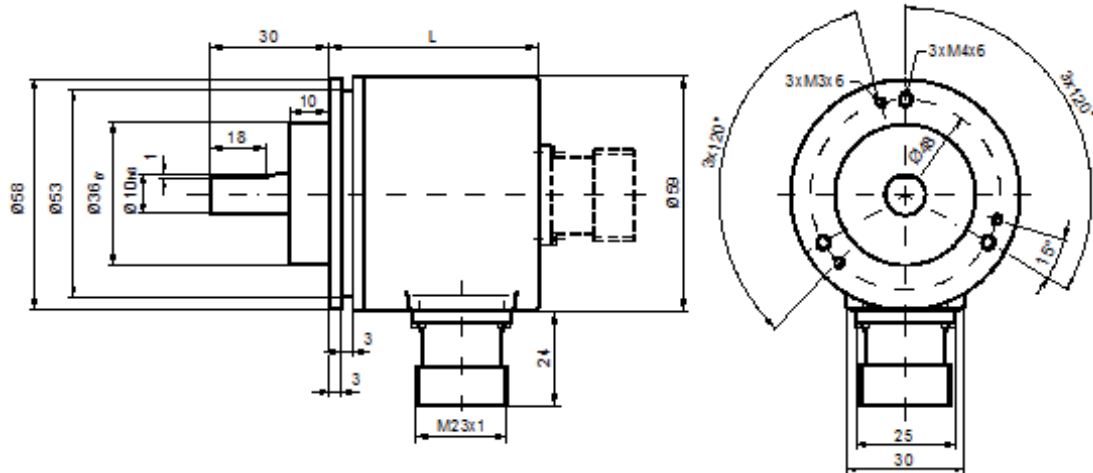
¹⁾PH = Shield is applied to the connector's housing
Outputs that are not used have to be isolated before startup.

The assignment of the colors is exclusively valid for cables produced by Deutschmann Automation. Please refer to the price list for pre-assembled cables.

Drawings

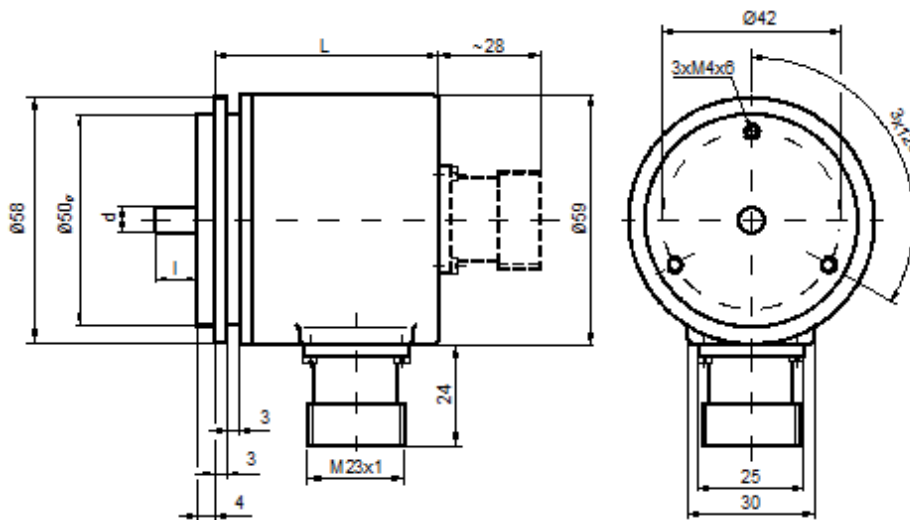
Shaft version type XA58-xxxx-GSX-X-X

Clamping flange



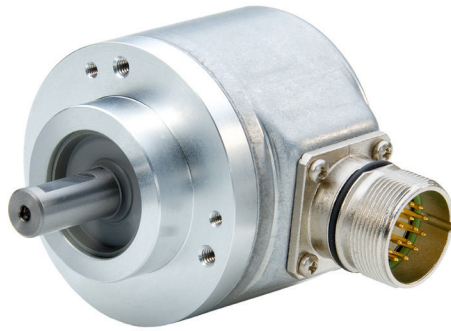
| | |
|-----------------|----------------|
| Clamping flange | L axial/radial |
| Version C10 | 53 |

Synchro flange



| | | | |
|----------------|-----------------|--------|----------------|
| Synchro flange | d / mm | l / mm | L axial/radial |
| Version S06 | 6 ₁₆ | 10 | 53 |

Absolute encoders, singleturn - Shaft version parallel



- Up to a resolution of 13 bit in integrative technology*
- Parallel interface
- Housing Ø 58 mm
- Shaft Ø 6 mm or 10 mm
- Max. IP67
- Electronic temperature and ageing compensation
- Short-circuit proof outputs

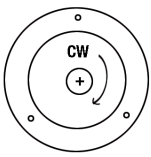
*Integration of all components because of an innovative assembly principle and the use of an opto-asic on one printed circuit board only, at a resolution of up to 13 bit.

Mechanical characteristics

| | Resolution: all except for 1000 | Resolution: 1000 |
|--|---|-----------------------------------|
| Housing diameter | 58 mm | 58 mm |
| Shaft diameter | S06: 6 mm / C10: 10 mm | 10 mm |
| Flange types (housing fastening) | Clamping flange / Synchro flange | Clamping flange |
| Protection class shaft input verified according to EN60529 | IP67 | IP66 |
| Protection class housing verified according to EN60529 | IP67 | IP65 |
| Shaft load axial | 40 N | 40 N |
| Shaft load radial | 60 N | 110 N |
| Max. number of revolutions (temporarily) | 12000 rev./min. | 12000 rev./min. |
| Max. number of revolutions (permanent operation) | 10000 rev./min. | 3000 rev./min. |
| Starting torque | 0,01 Ncm | 5 Ncm |
| Moment of inertia | 3,8 x 10 ⁻⁶ kgm ² | 30 kgm ² |
| Vibration resistance (DIN EN 60068-2-6) | 100 m/s ² (10...2000 Hz) | 10 m/s ² (10...100 Hz) |
| Shock resistance (DIN EN 60068-2-27) | 1000 m/s ² (6 ms) | 100 m/s ² (6 ms) |
| Continuous shock resistance (DIN EN 60028-2-29) | 1000 m/s ² (16ms) | 10 m/s ² (16ms) |
| Operating temperature | -40 ... +100°C | -40 ... +85°C |
| Storage temperature | -40 ... +100°C | -40 ... +85°C |
| Weight | 350 g | 200 g |

Electrical characteristics

| | Resolution: all except for 1000 | Resolution: 1000 |
|-----------------------------|--|----------------------|
| Supply voltage | 10 - 30 VDC | 10 - 30 VDC |
| Current consumption max. | 200 mA | 100 mA (ohne Last) |
| Current consumption typ. | 130 mA | 70 mA (ohne Last) |
| Pulse frequency | 500 kHz | 100...2000 kHz |
| Step frequency | 1000 kHz | 200 kHz |
| Resolution | See table on the next page | 1000 |
| Output code | Gray, Gray Excess (see table on the next page) | Gray Excess |
| Linearity | +/-0,5 LSB | +/-0,5 LSB |
| Outputs | Push Pull | Push Pull |
| Output current max. | 30 mA / each channel | 20 mA / each channel |
| Output current typ. | 10 mA / each channel | - |
| Short-circuit proof output? | Yes | Yes |
| Output level high | ≥ Ub-2,2 V (30 mA) | -0,9 VxUb |
| Output level low | ≤ 1,6 V (30 mA) | 0,5 V |
| Electrical lifetime | 100000 h | 100000 h |
| Turn-on time | 0,1 s | 1 s |



Sense of rotation

- Rising code values in case of a clockwise turn of the shaft (cw), falling values in case of a counter-clockwise turn (ccw) with a view to the shaft.

| Order number | Article designation | Resolution | Output code | Shaft | Flange |
|--------------|---------------------|----------------------|-------------|-------|-----------------|
| V2400 | TA58-0360-GYE-ID | 360 steps | Gray Excess | 10 mm | Clamping flange |
| V2401 | TA58-1000-GYE-ID | 1000 steps | Gray Excess | 10 mm | Clamping flange |
| V2402 | TA58-1024-GYE-ID | 1024 steps or 10 Bit | Gray | 10 mm | Clamping flange |
| V2403 | TA58-4096-GYE-ID | 4096 steps or 12 Bit | Gray | 10 mm | Clamping flange |
| V2405 | TA58-0360-GYE-IDR | 360 steps | Gray Excess | 10 mm | Clamping flange |
| V2406 | TA58-1000-GYE-IDR | 1000 steps | Gray Excess | 10 mm | Clamping flange |
| V2408 | TA58-4096-GYE-IDR | 4096 steps or 12 Bit | Gray | 10 mm | Clamping flange |
| V2410 | SA58-0360-GYC-ID | 360 steps | Gray Excess | 6 mm | Clamping flange |
| V2415 | SA58-0360-GYC-IDR | 360 steps | Gray Excess | 6 mm | Clamping flange |
| V2418 | SA58-4096-GYC-IDR | 4096 steps or 12 Bit | Gray | 6 mm | Clamping flange |

Order code

X A 5 8 - X X X X - G Y X - X - X

Series

S = Synchro flange
T = Clamping flange

Resolution

0360, 1000, 1024, 4096, 8192

Code type

G = Gray (& Gray Excess)

Interface and supply voltage

Y = Push-Pull 10 - 30V (absolute parallel)

Options

Z = Supply voltage 5V
(protection class IP65)

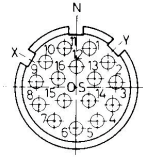
Connection

ID = 16-pole round plug axial
(parallel)
IDR = 16-pole round plug radial
(parallel)

Shaft

E = Shaft 10 mm with T-flange (clamping flange)
C = Shaft 6 mm with S-flange (synchro flange)

View of the mating face pin contact: 16-pole connector



Pin assignment with 16-pole connector

| Pin | 1 | 2 | 3 | 4 | 5 | 6 | 7 | 8 | 9 | 10 | 11 | 12 | 13 | 14 | 15 | 16 | PH ¹⁾ |
|--------|--------------|--------------|--------------|--------------|---------------|---------------|---------------|----------------|-----------------|-----------------|--------------------|--------------------|------|------------|-----|--------------------|------------------|
| Signal | 2^0 = 1 | 2^1 = 2 | 2^2 = 4 | 2^3 = 8 | 2^4 = 16 | 2^5 = 32 | 2^6 = 64 | 2^7 = 128 | 2^8 = 256 | 2^9 = 512 | 2^{10} = 1024 | 2^{11} = 2048 | --- | complement | +UB | 0 Volt | |
| Farbe | white | brown | green | yellow | gray | pink | purple | gray/ pink | white/ green | brown/ green | white/ yellow | yellow/ brown | n.c. | n.c. | red | blue + black | |

¹⁾PH = Connector housing

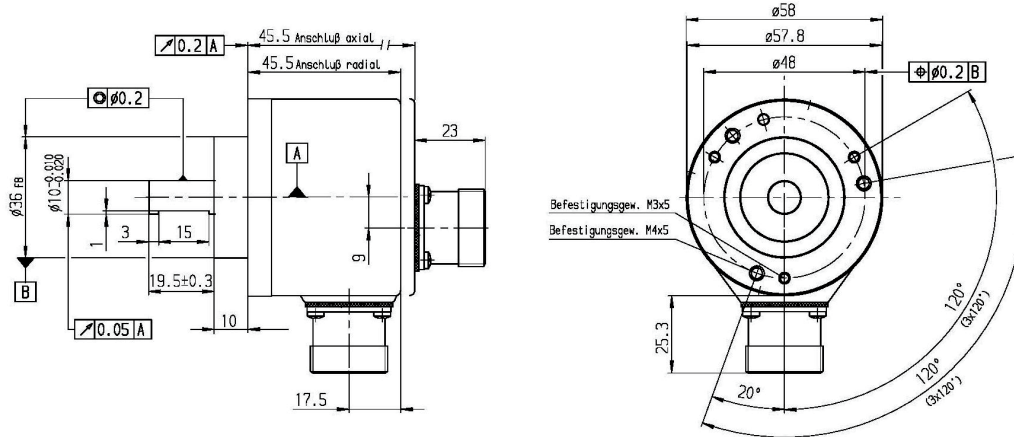
Unused outputs have to be isolated prior to commissioning.

The assignment of the colors is exclusively valid for cables produced by Deutschmann Automation. Please refer to the price list for pre-assembled cables.

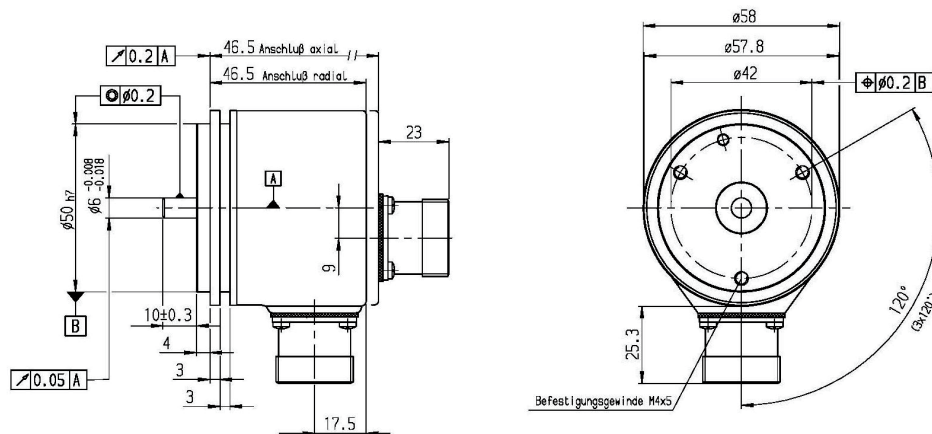
Drawings

Shaft version type XA58-xxxx-GYE-X-X (except for resolution of 1000)

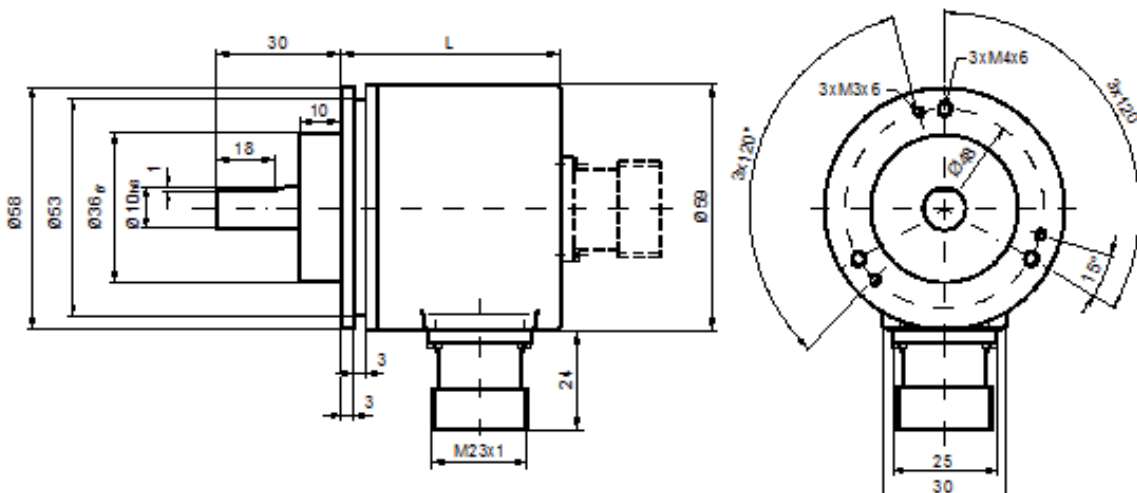
Klemmflansch / M23-Stecker / axial/radial



Synchroflansch / M23-Stecker / axial/radial



Shaft version type TA58-1000-GYE-X



| | |
|-----------------|----------------|
| Clamping flange | L axial/radial |
| Version C10 | 53 |

Dynamic switching accelerator SPEEDY

Switching on and off magnetic controlled connect elements lead to delays that consist of two components:

- Delay time for setting up and removing the magnetic field
- Delay time for overcoming mechanical inertia

To reduce this delay time SPEEDY makes it possible to achieve an overexcitation of the magnetic field by an overvoltage pulse of 100 V, adjustable from 1 ms to 10 ms and with it to overcome the mechanical inertia much faster. When switching off, the delay time for the removal of the magnetic field is also reduced considerably due to a negative free-wheeling voltage.



The status of the inputs and outputs as well as of the supply voltages are displayed via integrated LEDs. SPEEDY has different switching modes available that can be adjusted from the outside. Following please find a more detailed description:

The switching modes of SPEEDY

Setting the switching modes

The switching modes described below are selected through a rotary code switch. The following assignment applies here:

Please note, that every change of the inputs is directly evaluated in the first 8 switch positions. This mode makes sense if the inputs are connected with the outputs of a control and a distortion-free reaction from SPEEDY is required.

In case the interference suppression is on, the input signals are being filtered, that results in a delay (runtime input -> output) of approx. 1 ms.

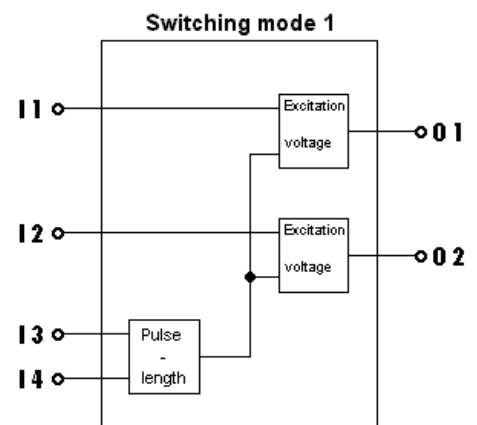
This operating mode makes sense if the inputs are being switched by a relay or if very strong failures are on the input lines.

| Rotary switch indication | Switching mode | Input interference suppression |
|--------------------------|----------------|--------------------------------|
| 0 | 1 | Off |
| 1 | 2 | Off |
| 2 | 3 | Off |
| 3 | 4 | Off |
| 4 | 5 (1ms) | Off |
| 5 | 5 (2 ms) | Off |
| 6 | 5 (5 ms) | Off |
| 7 | 5 (10 ms) | Off |
| 8 | 1 | Active |
| 9 | 2 | Active |
| A | 3 | Active |
| B | 4 | Active |
| C | 5 (1 ms) | Active |
| D | 5 (2 ms) | Active |
| E | 5 (5 ms) | Active |
| F | 5 (10 ms) | Active |

Switching mode 1

In switching mode 1 the input 1 is wired to the output 1 and the input 2 is wired to the output 2. The duration of the overexcitation pulse is set at the inputs 3 and 4.

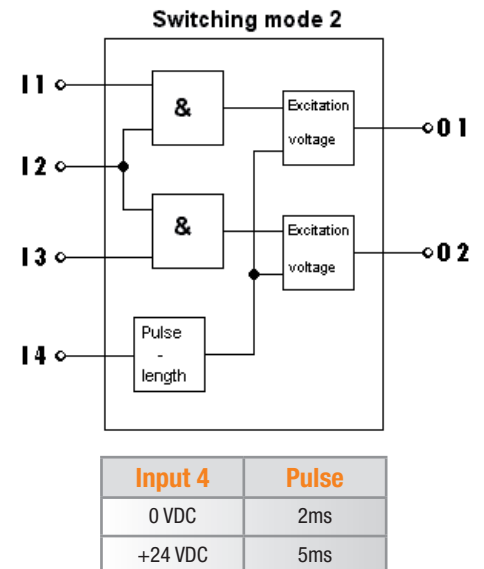
| Input 3 | Input 4 | Pulse |
|---------|---------|-------|
| 0 VDC | 0 VDC | 1 ms |
| +24 VDC | 0 VDC | 2 ms |
| 0 VDC | +24 VDC | 5 ms |
| +24 VDC | +24 VDC | 10 ms |



Switching mode 2

In switching mode 2 the input 1 is wired to the output 1 and the input 2 is wired to the output 2. Input 3 is an enabling input. The inputs 1 and 2 are ineffective without a signal at input 3. The duration of the overexcitation pulse is set at input 4.

| Input 1 | Input 2 | Input 3 | Output 1 | Output 2 |
|---------|---------|---------|----------|----------|
| 0 VDC | 0 VDC | 0 VDC | 0 VDC | 0 VDC |
| +24 VDC | 0 VDC | 0 VDC | 0 VDC | 0 VDC |
| 0 VDC | +24 VDC | 0 VDC | 0 VDC | 0 VDC |
| +24 VDC | +24 VDC | 0 VDC | 0 VDC | 0 VDC |
| 0 VDC | 0 VDC | +24 VDC | 0 VDC | 0 VDC |
| +24 VDC | 0 VDC | +24 VDC | +24 VDC | 0 VDC |
| 0 | +24 VDC | +24 VDC | 0 VDC | +24 VDC |
| +24 VDC | +24 VDC | +24 VDC | +24 VDC | +24 VDC |



Switching mode 3

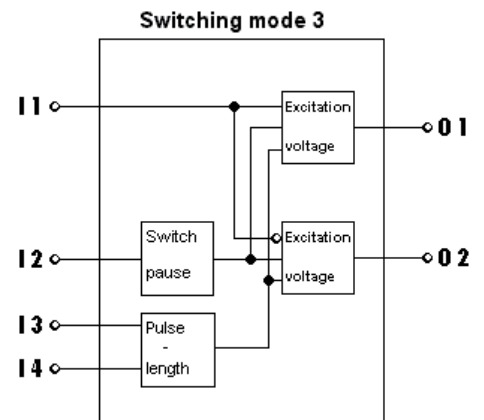
The switching mode 3 was especially developed for double magnet coils (-driving elements). Output 2 is wired if the input 1 does not have a signal. In case input 1 receives a signal, then output 2 is switched off first, followed by a pause**. Then the output 1 is switched on. If the signal is removed from input 1 it happens the other way round. The output 1 is switched off first, followed by a pause**. Only then the output 2 is switched on again. Input 2 determines the duration of the pause**. The duration of the overexcitation pulse is set at the inputs 3 and 4.

| Input 1 | Output 1 | Output 2 |
|---------|----------|----------|
| 0 VDC | 0 VDC | +24 VDC |
| +24 VDC | +24 VDC | 0 VDC |

| Input 2 | Pause** |
|---------|-----------|
| 0 VDC | Pulse x 2 |
| +24 VDC | Pulse x 1 |

| Input 3 | Input 4 | Pulse |
|---------|---------|-------|
| 0 VDC | 0 VDC | 1ms |
| +24 VDC | 0 VDC | 2ms |
| 0 VDC | +24 VDC | 5ms |
| +24 VDC | +24 VDC | 10ms |

**Pause: Period between switching off the magnet coil 1 and switching on the magnet coil 2 or the other way round. It results from the overexcitation time (pulse) multiplied by 2 or 1.

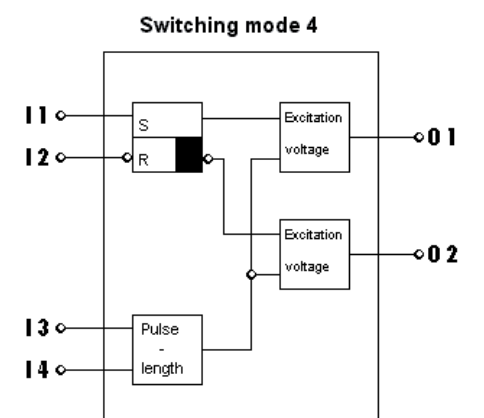


Switching mode 4

The switching mode 4 includes an RS-flip-flop logic (-RESET/SET logic). If input 2 (-RESET) is supplied with 24 V after switch-on, then output 2 is wired. If input 1 (SET) is also supplied with 24 V, then output 1 is wired and output 2 is switched off. If the signal at input 1 (SET) disappears, then this state at the outputs remains stable. Provided that the signal at the input 2 (-RESET) is taken away now (0 VDC), then the output 1 is switched off and the output 2 is switched on. This switching state also remains stable if the input 2 receives a signal (+24 VDC) again. The input 2 (-RESET) has a higher priority compared to input 1 (SET); which means: if input 1 has a signal (+24 VDC) and input 2 does not have a signal (0 VDC), then output 2 is wired and output 1 is switched off. The duration of the overexcitation pulse is set at the inputs 3 and 4 (clamps 3 and 4).

| Input 1 | Input 2 | Output 1 | Output 2 |
|---------|---------|-----------|-----------|
| 0 VDC | 0 VDC | 0 VDC | +24 VDC |
| +24 VDC | 0 VDC | 0 VDC | +24 VDC |
| 0 VDC | +24 VDC | unchanged | unchanged |
| +24 VDC | +24 VDC | +24 VDC | 0 VDC |

| Eingang 3 | Eingang 4 | Impuls |
|-----------|-----------|--------|
| 0 VDC | 0 VDC | 1ms |
| +24 VDC | 0 VDC | 2ms |
| 0 VDC | +24 VDC | 5ms |
| +24 VDC | +24 VDC | 10ms |

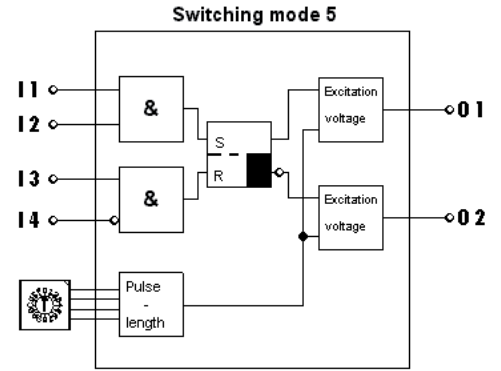


Switching mode 5

The switching mode 5 also includes an RS-flip-flop, that is set via the inputs 1 and 2 and that is reset via the inputs 3 and 4 (compare description in switching mode 4). The pulse length is set through the rotary code switch. The following assignment applies for it:

| Rotary switch display | Pulse |
|-----------------------|-------|
| 4 oder C | 1 ms |
| 5 oder D | 2 ms |
| 6 oder E | 5 ms |
| 7 oder F | 10 ms |

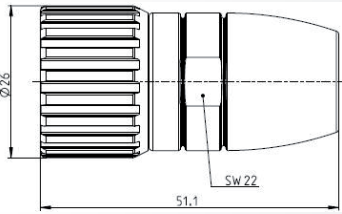
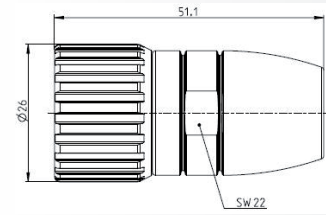
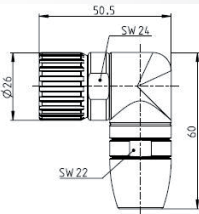
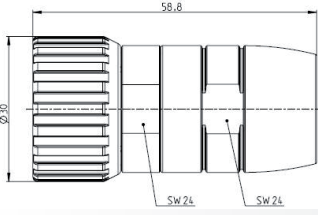

| Input 1 | Input 2 | Input 3 | Input 4 | Output 1 | Output 2 |
|---------|---------|---------|---------|-----------|-----------|
| 0 VDC | 0 VDC | 0 VDC | 0 VDC | unchanged | unchanged |
| +24 VDC | 0 VDC | 0 VDC | 0 VDC | unchanged | unchanged |
| 0 VDC | +24 VDC | 0 VDC | 0 VDC | unchanged | unchanged |
| +24 VDC | +24 VDC | 0 VDC | 0 VDC | +24 VDC | 0 VDC |
| 0 VDC | 0 VDC | +24 VDC | 0 VDC | 0 VDC | +24 VDC |
| +24 VDC | 0 VDC | +24 VDC | 0 VDC | 0 VDC | +24 VDC |
| 0 VDC | +24 VDC | +24 VDC | 0 VDC | 0 VDC | +24 VDC |
| +24 VDC | +24 VDC | +24 VDC | 0 VDC | 0 VDC | +24 VDC |
| 0 VDC | 0 VDC | 0 VDC | +24 VDC | unchanged | unchanged |
| +24 VDC | 0 VDC | 0 VDC | +24 VDC | unchanged | unchanged |
| 0 VDC | +24 VDC | 0 VDC | +24 VDC | unchanged | unchanged |
| +24 VDC | +24 VDC | 0 VDC | +24 VDC | +24 VDC | +24 VDC |
| 0 VDC | 0 VDC | +24 VDC | +24 VDC | unchanged | unchanged |
| +24 VDC | 0 VDC | +24 VDC | +24 VDC | unchanged | unchanged |
| 0 VDC | +24 VDC | +24 VDC | +24 VDC | unchanged | unchanged |
| +24 VDC | +24 VDC | +24 VDC | +24 VDC | +24 VDC | 0 VDC |



| Technical data | | |
|----------------------|---|--|
| | SPEEDY 1A | SPEEDY 4A |
| Supply voltage | 10...30 VDC, max. 1 W (no load) | 10...30 VDC, max. 1 W (no load) |
| Current consumption | Max. 40mA (idle state), Max. 3A (in the moment of switching) | Max. 40mA (idle state), Max. 3A (in the moment of switching) |
| Inputs | 4 Ri > 3,9K* UL = 0V - 3V, UH = 12V - 30V | 4 Ri > 3,9K* UL = 0V - 3V, UH = 12V - 30V |
| Outputs | 2 I _{out} < 1A continuous load U _{out} -stat > supply voltage - 1V U _{out} -pulse = 88V .. 100V or 44V .. 50V | 2 I _{out} < 4A continuous load / 5A short-time (max. 1min.) U _{out} -stat > supply voltage - 1V U _{out} -pulse = 88V .. 100V or 44V .. 50V |
| Programs | 5 adjustable via rotary switch, more customized programs on request | 5 adjustable via rotary switch, more customized programs on request |
| Pulse length | Adjustable 1 - 10ms | Adjustable 1 - 10ms |
| Switching delay | < 300µs (without input interference suppression) | < 300µs (without input interference suppression) |
| Recovery time | Max. 150ms at 1A-load and 10ms-pulse | max. 150ms bei 1A-Last und 10ms-Impuls |
| Housing | Plastic for EN-rail mounting (stackable) W x H x D: 25 x 79 x 90.5mm | Plastic for EN-rail mounting (stackable) W x H x D: 25 x 79 x 90.5mm |
| Conductor connection | Via plug-in terminal block up to 2.5 mm ² | Via plug-in terminal block up to 2.5 mm ² |
| Display | LED-status display of the inputs, outputs and supply voltage | LED-status display of the inputs, outputs and supply voltage |

| Order number | Article designation | |
|--------------|---------------------|----------------------------|
| V3104 | DSB SPEEDY-50V-1A | with 1A switching capacity |
| V1526 | DSB SPEEDY-100V-1A | |
| V3105 | DSB SPEEDY-50V-4A | with 4A switching capacity |
| V2313 | DSB SPEEDY-100V-4A | |

Accessories

| | Designation | Order no. |
|---|---|-----------|
|  | 12-pole cable connector with union nut EMC-version, protection class IP67, traction relief inside, socket, counterclockwise, for the use with SSI-encoders | V1706 |
|  | 16-pole cable connector with union nut EMC-version, protection class IP67, socket, standard version, for the use with encoders parallel-output or ROTARNOCK Fieldbus version | V1700 |
|  | 16-pole cable connector with union nut EMC-version, protection class IP67, socket, angled, for the use with encoders parallel-output or ROTARNOCK Fieldbus version | V2756 |
|  | 28-pole cable connector with union nut EMC-version, protection class IP67, traction relief inside, large cable inlet, socket, standard version, for the use with ROTARNOCK devices IP65 | V1703 |
| | 5-pole connector M12, socket, inverse coding, PROFIBUS/MPI input connector for ROTARNOCK | V3059E |
| | 5-pole connector M12, pin, inverse coding, PROFIBUS/MPI output connector for ROTARNOCK | V3059A |
| | 4-pole cable connector M12, pin, D-coding, PROFINET for ROTARNOCK | V4123 |
| | Angle for mounting encoders with clamping flange (T-flange) and ROTARNOCK devices | V1480 |
| | Adapter flange for clamping for the use of encoders without groove | V1709 |
| | USB-RS232 converter 20 cm, tested with all Deuschmann software tools | V3654 |
|  | DICNET®-adapter for the connection from cam controls with RS485-DICNET®-interface to the COM-interface at the PC. | V2156 |

Glossary

Dynamic cam / idle time compensation

The idle time compensation is the time that passes from setting a cam control output until the actual reaction of the connected device (e. g. opening a valve). Normally this idle time is constant. For a dynamic compensation of this idle time a cam control has to shift a programmed cam depending on the actual encoder speed, that means a valve that is supposed to be opened on position 100, for example must be opened at 1 m/s on position 95, at 2 m/s it must already be opened on position 90.

This function is called dynamic cam shifting or idle time compensation (ITC). Idle times can be programmed blockwise, which means a set idle time always applies to a block of 8 outputs or bitwise. For an idle time compensation with separate turn-on/turn-off time it is possible to select different turnon and turn-off delay times.

DICNET®

DICNET® (Deutschmann-Industry-Controller-Net) is a multi-master Fieldbus. At the physical layer according to the ISO-OSI shift model it corresponds to the DIN 19254, part 1. That means a connection between all participants in the net is established with an RS485-two-wire line.

The physical arrangement is thus a bus system, at which the participants can be switched on and off as desired. At the maximum expansion stage 16 cam controls, 16 display units, 3 operation terminals and 1 PC can be connected at the same time. From the logical point of view it is a token ring, that means that always only the participant who has the access authorization (token) is allowed to send to the bus. In case he does not have any data for another participants, then he passes on the token to that neighbour, who was determined during a configuration phase.

Through this principle a deterministic bus cycle time is achieved, which means the time (worst-case) until a data packet can be sent is exactly calculable. In case a participant is turned on or off an automatic reconfiguration is made. The transmission baud rate is 312.5 kbaud at a length of 11 bit/byte. A maximum of 127 participants can be operated on one bus, whereas data packets with a maximum of 14 byte per cycle are being transmitted. An automatic check of the received information takes place as well as an error report in case of a twofold transmission error. The maximum expansion of the net must not exceed 500 m.

Temperature ranges and humidity

All Deutschmann cam controls are specified for a storage temperature of -25°C to +70°C. The operating temperature without forced convection ranges from 0°C to +45°C, with forced convection from 0°C to +65°C. The maximum relative humidity can be 80%, non-condensing, in a non-corrosive atmosphere.

Shock and vibration

All our devices are tested for the following values:
 Shock 15G/11 milliseconds | vibration 0.15mm/10..50 Hz, G/50..150 Hertz

Fieldbus connection

Basically all Deutschmann devices can be connected via a Gateway to the Fieldbuses common on the world market. Some types can also be supplied with integrated Fieldbus-interface.



Angle-/time-cams

In most applications the switch-on and switch-off points (cam) are set position-dependent. For certain applications, however, it is necessary that the switch-on point is set position-dependent and the switch-off point time-dependent. For devices with this function the time base may vary in the range from 1 millisecond to 32500 milliseconds.

Direction cam

The switch-on and switch-off points (cam) are normally switched regardless of the rotational direction. Through the function direction cam it is possible to define whether the a cam is to be activated in clockwise rotation or anti-clockwise rotation only or as it is the normal case in both directions.

Logic functions / shift register

Applications in which the cam control takes over PLC-tasks. Up to 16 inputs/outputs, markers and a shiftregister can be logically linked. With it simple PLC-task are passed on to the cam control. Advantage: faster cycle times, PLC does not have to carry out any peripheral work. The shift register can for instance be used for an easy sorting of good and bad end products (e. g. at bottling).

Encoder monitoring

Functions for the complete monitoring of encoder and cable. Every time the encoder is read in it is compared to the one before. In case of a deviation of ± 3 inc. an error message is shown. Additionally at the absolute encoders with a resolution of 360 or 1000 inf./rev. (Gray excess) an error message is shown at the undefined codes.

Lockable outputs

The function serves to lock machine-relevant outputs and only permit the change of product-relevant outputs.

Global availability



The company

Deutschmann Automation, a German company based in Bad Camberg is working in the automation technology since 1976 and became known with cam controls in the 1980s.

In 1989 Deutschmann Automation started operating in the fieldbus technology. The development of one's first own bus system DICNET was an essential step. Since 1996 different fieldbus and Industrial Ethernet products are offered under the brand name UNIGATE®.

Thanks to a competent quality management and continuous enhancement Deutschmann became one of the leading suppliers in the automation industry. The entire development and manufacturing takes place in Germany.

We offer workshops for our All-In-One Bus nodes of the UNIGATE® IC series and the Software tool Protocol Developer. In these workshops you will learn everything you need to know about our products and how you can easily realize your projects with Deutschmann.

For all products the necessary documents and tools can be found, free of cost, on www.deutschmann.com. Furthermore on the Deutschmann Technology Wiki, wiki.deutschmann.de, technological information is easily accessible for our customers and users, cross-linking application know-how and ensuring that the information is up to date.

Our experts in development, sales and support have the right solution for your demands.



Deutschmann
your ticket to all buses



UNIGATE® CL

■ Protocol Converter for all devices with a serial interface



UNIGATE® IC

■ Easy integration into your own electronics



UNIGATE® FC

■ Connectable Multi-Protocol-Module



UNIGATE® CX

■ Making incompatible networks compatible



UNIGATE® EL

■ Fast Ethernet to all Fieldbuses



UNIGATE® CM

■ CANopen to all Fieldbuses and Ethernet

Deutschmann Automation GmbH & Co. KG
Carl-Zeiss-Straße 8
65520 Bad Camberg | Germany
Tel.: +49 6434 9433-0
Fax.: +49 6434 9433-40
info@deutschmann.de
www.deutschmann.com